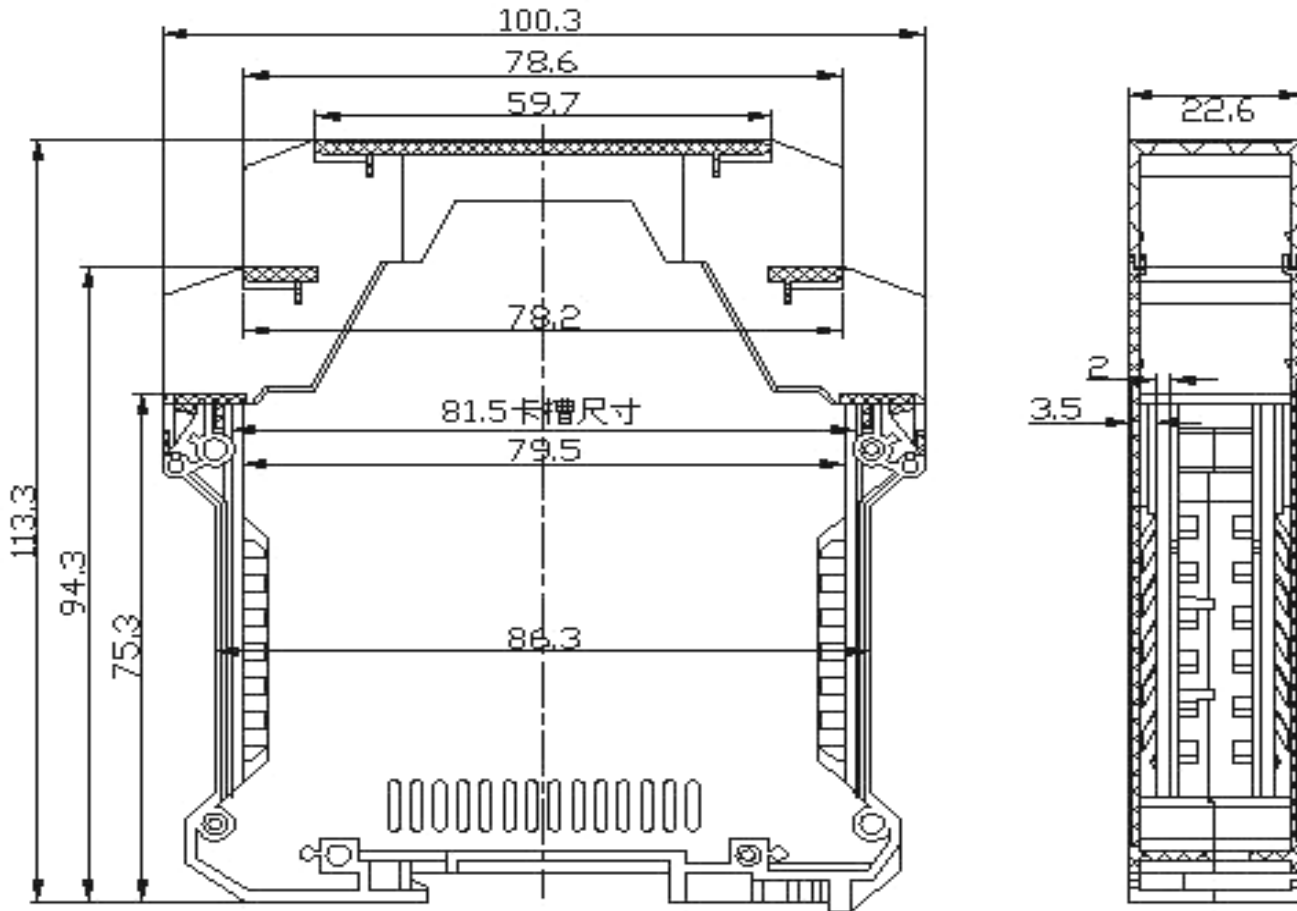




DIN RAIL ENCLOSURE

Technical Specification

Material: PA66, UL94V-0
 UL: 125V / 4A
 IEC: 130V / 10A
 Withstanding Voltage: AC1250V/1Min
 Temperatur Range: -40°C ~ +105°C



Ordering Information

Serie	Color of Case	ROHS	Packing			
H36013	PG	R	BU1			

PG= Phoenix Green	R= ROHS conform	BU1= Bulk Ware 1PCS
XX= other Color on Request (MOQ is important)	N=NON ROHS conform	

DIN-RAIL Electronic Enclosure			
Part No.:			
Customer:			
DRW: Jason	CHKD: Jules	MATL: Wu	DATE: 16.12.2010
APPD: Join		FINISH: Shieh	Sheet: 1 from 1