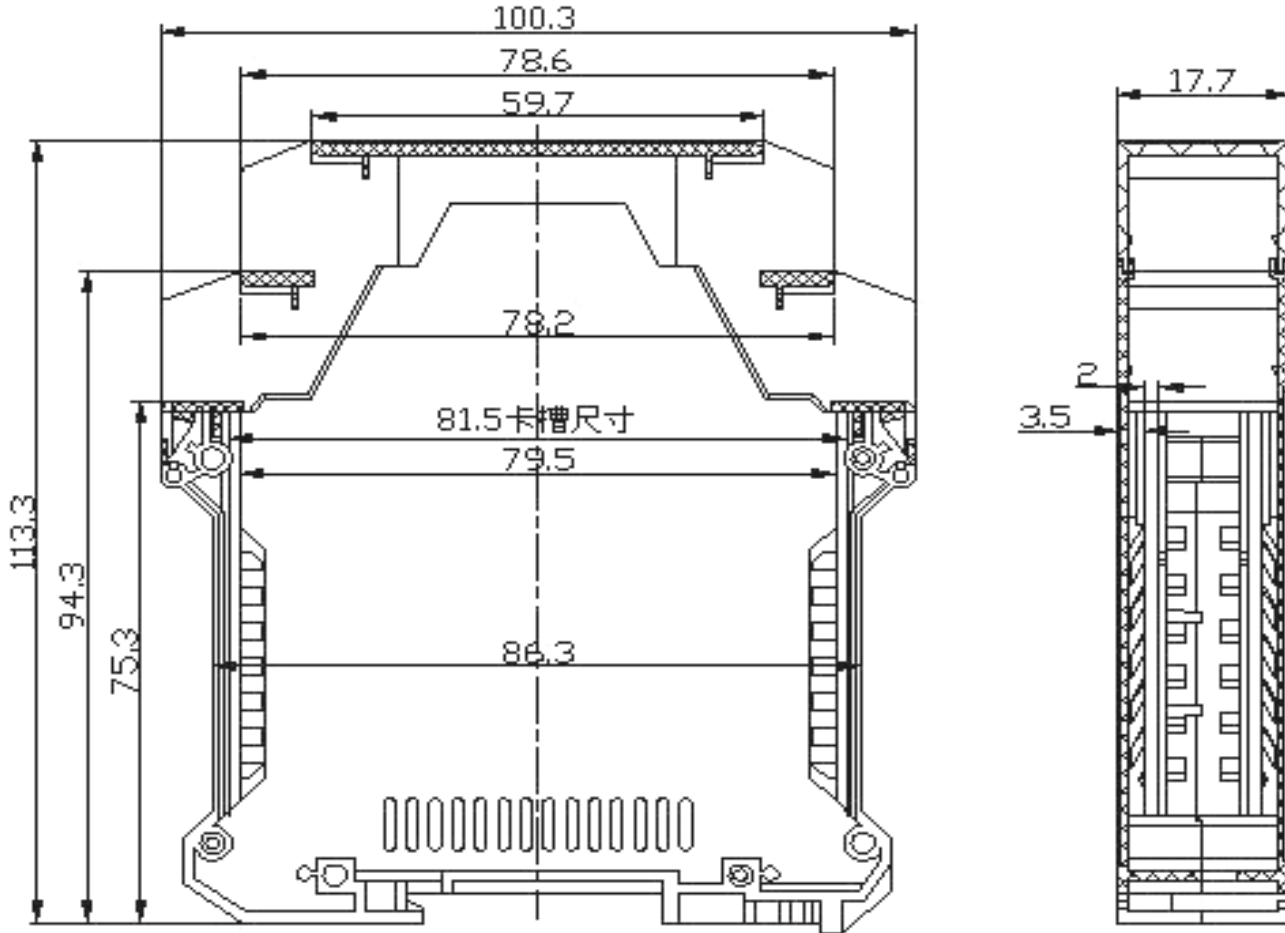




**DIN RAIL ENCLOSURE**

**Technical Specification**

Material: PA66, UL94V-0  
 UL: 125V / 4A  
 IEC: 130V / 10A  
 Withstanding Voltage: AC1250V/1Min  
 Temperatur Range: -40°C ~ +105°C



**Ordering Information**

Serie	Color of Case	ROHS	Packing			
-------	---------------	------	---------	--	--	--

<b>H36004</b>	<b>PG</b>	<b>R</b>	<b>BU1</b>			
---------------	-----------	----------	------------	--	--	--

<b>PG=</b> Phoenix Green	<b>R=</b> ROHS conform	<b>BU1=</b> Bulk Ware 1PCS
<b>XX=</b> other Color on Request (MOQ is important)	<b>N=</b> NON ROHS conform	

<b>DIN-RAIL Electronic Enclosure</b>	
Part No.:	
Customer:	

DRW:	Jason	CHKD	Jules	MATL:	Wu	DATE	16.12.2010
APPD:	Join			FINISH	Shieh	Sheet	1 from 1