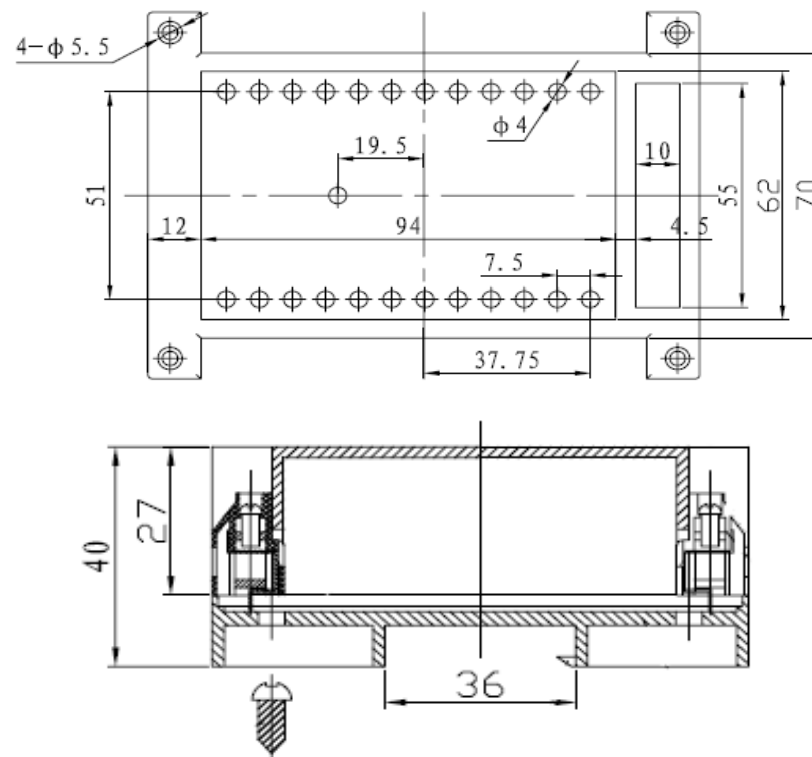
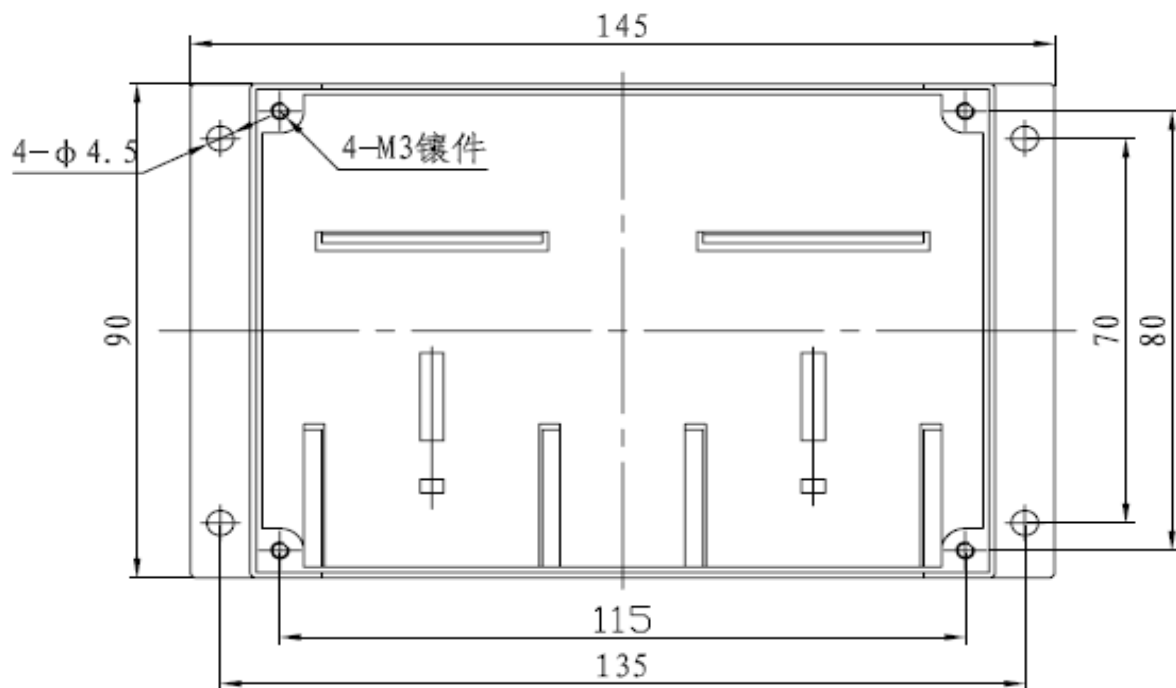


EDCON-COMPONENTS



Technical Drawing



DIN RAIL-CASE

Part No.: **H36003**

Customer:

DRW:	Jason	CHKD	Wilson	MATL:	Wilson	TOLERANCE	Mason	DATE	10.04.2009
APPD:	Schumi			FINISH	Jamy		Sheet No.	1 from 2	



Ordering Informations

Serie							
H36003							

DIN RAIL-CASE
Part No.: H36003
Customer:

DRW:	Jason	CHKD	Wilson	MATL:	Wilson	TOLERANCE	Mason	DATE	10.04.2009
APPD:	Schumi			FINISH	Jamy			Sheet No.	2 from 2