

EDCON-COMPONENTS



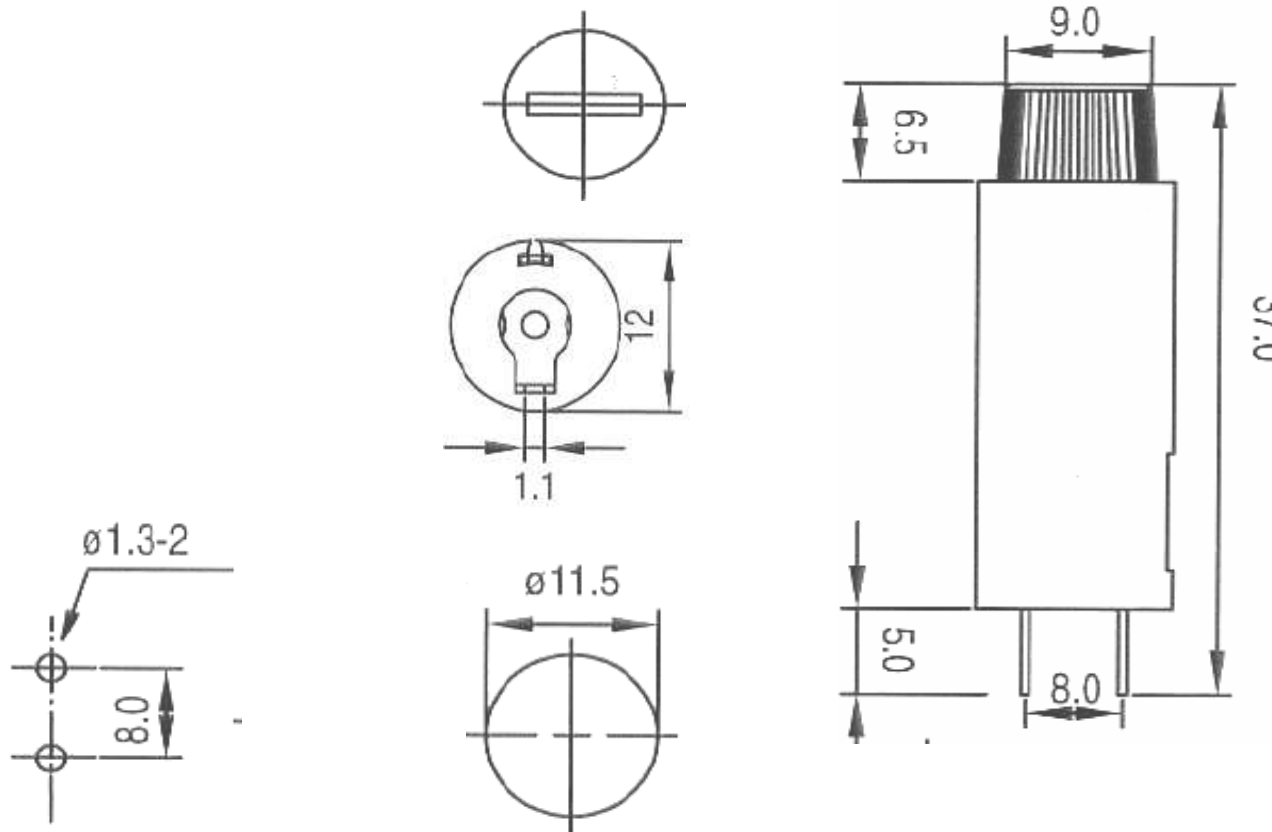
Technical Discription

Drawing

EDCON-COMPONENTS Fuse Holders features for easy removal, clearly printed / imprinted "FUSE" for easy panel identification and keyed mounting hole requirement for anti rotation safety. All fuse holders include mounting washer and solder lugs for wiring.

Rated Current	10A / 250VAC
Insulation Resistance at 500VDC	100MΩ Min.
Contact Resistance	5mΩ @ 1A DC
Dielectric Strength for 60seconds	AC1500V Min.
Knop Type: Bajonet	

Approvals

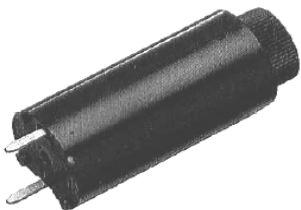


PCB Layout

PCB Fuse Holder	
Part No.:	R53003
Customer:	

DRW:	Jason	CHKD	Wilson	MATL:	Wilson	TOLERANCE	Mason	DATE	12.03.2011
APPD:	Schumi			FINISH	Jamy		Sheet No.	1 from 3	

EDCON-COMPONENTS



Ordering Informations

Serie	Range	Special function	ROHS	Packing						
-------	-------	------------------	------	---------	--	--	--	--	--	--

R53003	-	A	N	R	BU					
---------------	---	----------	----------	----------	-----------	--	--	--	--	--

A= 10A	N= No function	R= ROHS Conform	BU= Bulk-Ware
			IV= Individual Package

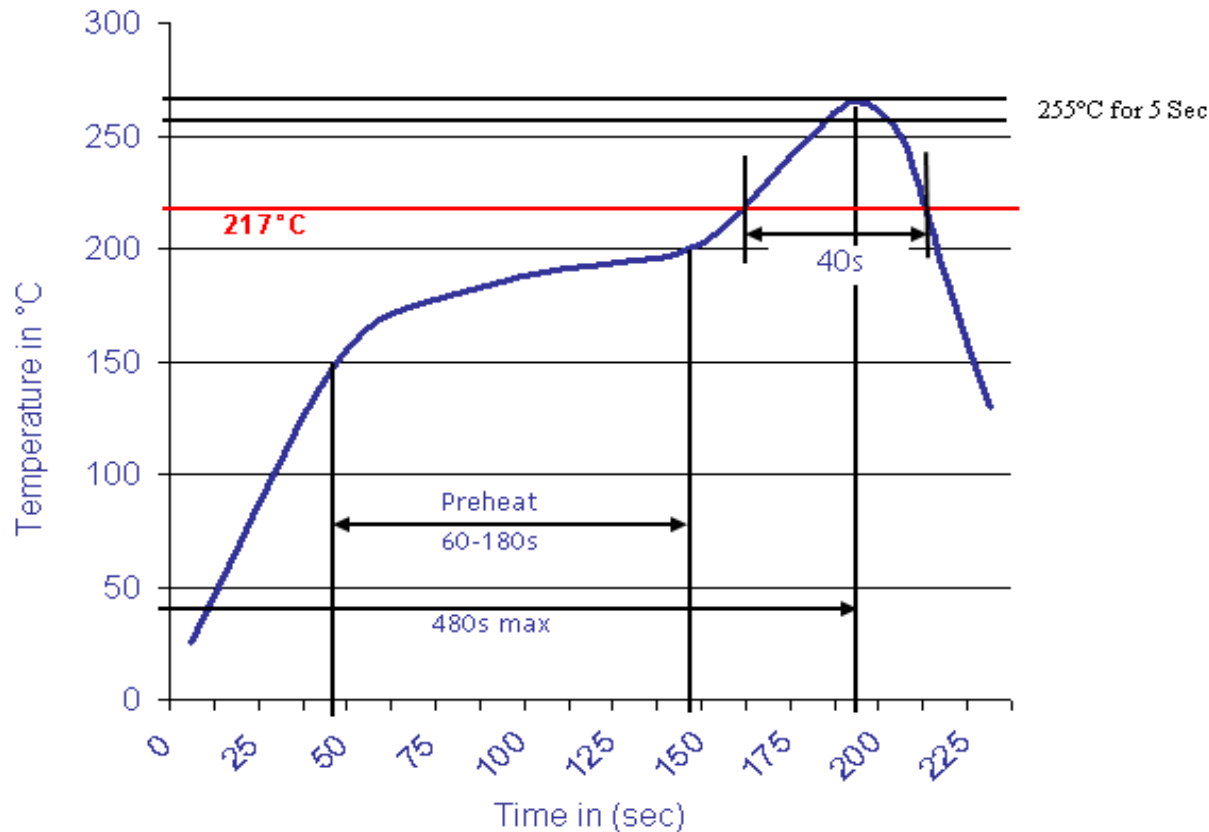
PCB Fuse Holder
Part No.: R53003
Customer:

DRW:	Jason	CHKD	Wilson	MATL:	Wilson	TOLERANCE	Mason	DATE	12.03.2011
APPD:	Schumi			FINISH	Jamy		Sheet No.	2 from 3	



Soldering Profile Curve

Classification Reflow Profile (JEDEC J-STD-020C)



PCB Fuse Holder	
Part No.:	R53003
Customer:	

DRW:	Jason	CHKD	Wilson	MATL:	Wilson	TOLERANCE	Mason	DATE	12.03.2011
APPD:	Schumi			FINISH	Jamy		Sheet No.	3 from 3	