

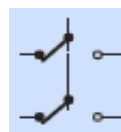
EDCON-COMPONENTS



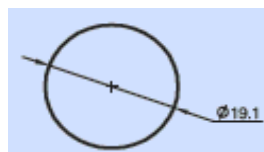
Specifications

| | |
|------------------------|-------------------------|
| Switch Rating: | 1A/125VAC |
| Contact Configuration: | 2NO/C |
| IP-Degree: | IP68 |
| Crust Material: | Stainless Steel |
| Terminal Type: | Solder Lug |
| Switching: | ON - (ON) |
| Contact Resistance: | ≤ 0,04Ω |
| Insulation Resistance: | ≥ 1000MΩ |
| Dielectric Strength: | 1500VAC / 50Hz / 1 min. |
| Operating Temperature: | . -40°C ~ +85°C |
| Mechanical Life: | 20.000 cycles |
| Electrical Life: | 10.000 cycles |
| Panel Thickness: | 1 ~ 6mm |
| Torque: | 5 ~ 10Nm |
| Operating Pressure: | 3 |
| Operating Distance: | About 1,5Nm |

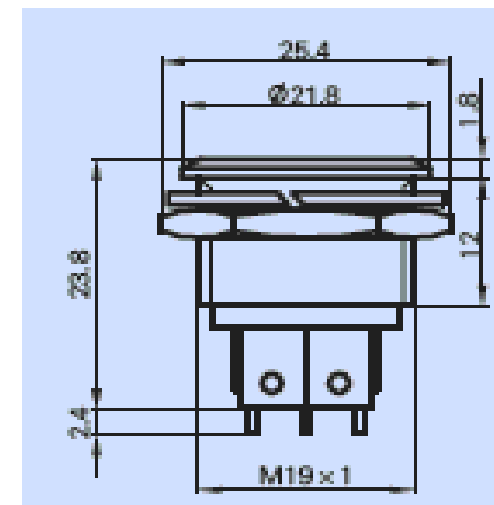
Switch Function



Mounting Hole



Drawing



Material

| | |
|--------------|--------------------|
| Contact: | Silver Alloy |
| Button: | Stainless Steel |
| Body: | Stainless Steel |
| Base: | PBT |
| ROHS: | Made to Order-Code |

25,4MM Anti-Vandal-Switch

Part No.: **Q36042**

Customer:

| | | | | | | | | | |
|-------|--------|------|--------|--------|--------|-----------|-----------|----------|------------|
| DRW: | Jason | CHKD | Wilson | MATL: | Wilson | TOLERANCE | Mason | DATE | 20.08.2009 |
| APPD: | Schumi | | | FINISH | Jamy | | Sheet No. | 1 from 2 | |

EDCON-COMPONENTS



Ordering Informations

| Serie | Knob Style | Contact Structure | Switch Function | Connect Type | Crust Material | ROHS | Packing Style |
|-------|------------|-------------------|-----------------|--------------|----------------|------|---------------|
|-------|------------|-------------------|-----------------|--------------|----------------|------|---------------|

| | | | | | | | |
|---------------|----------|-----------|----------|----------|----------|----------|----------|
| Q36042 | C | 20 | B | 2 | S | R | N |
|---------------|----------|-----------|----------|----------|----------|----------|----------|

| | | | | | | |
|-----------------------|------------------|-------------------|----------------------|---------------------------|----------------------------|------------------------------|
| C= Type C Flat | 20= 1NO/C | B= ON-(ON) | 2= Solder Lug | S= Stainless Steel | R= ROHS Conform | N= White Carton |
| | | | | | N= NON ROHS Conform | I= Individual Packing |

| |
|----------------------------------|
| 25,4MM Anti-Vandal-Switch |
| Part No.: Q36042 |
| Customer: |

| | | | | | | | | | |
|-------|--------|------|--------|--------|--------|-----------|-----------|------|------------|
| DRW: | Jason | CHKD | Wilson | MATL: | Wilson | TOLERANCE | Mason | DATE | 20.08.2009 |
| APPD: | Schumi | | | FINISH | Jamy | | Sheet No. | | 2 from 2 |