

EDCON-COMPONENTS



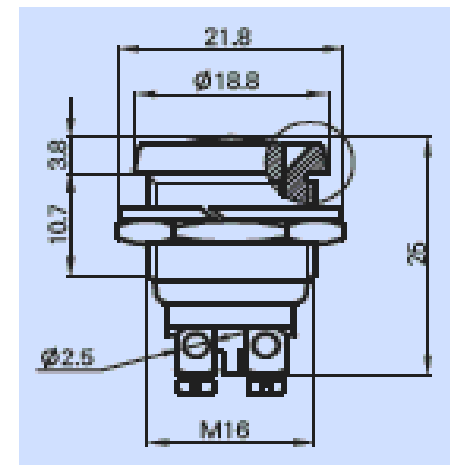
Specifications

Switch Rating:	5A/250VAC
Contact Configuration:	1NC
IP-Degree:	IP54
Crust Material:	Stainless Steel
Terminal Type:	Screw Terminal
Switching:	OFF- (ON)
Contact Resistance:	≤ 0,04Ω
Insulation Resistance:	≥ 1000MΩ
Dielectric Strength:	1500VAC / 50Hz / 1 min.
Operating Temperature:	. -40°C ~ +85°C
Mechanical Life:	20.000 cycles
Electrical Life:	10.000 cycles
Panel Thickness:	1 ~ 6mm
Torque:	5 ~ 10Nm
Operating Pressure:	3
Operating Distance:	About 1,5Nm

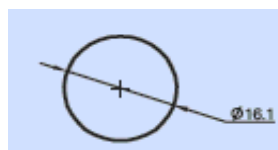
Material

Contact:	Silver Alloy
Button:	Stainless Steel
Body:	Stainless Steel
Base:	PBT
ROHS:	Made to Order-Code

Drawing



Mounting Hole



21,8MM Anti-Vandal-Switch

Part No.: **Q36039**

Customer:

DRW:	Jason	CHKD	Wilson	MATL:	Wilson	TOLERANCE	Mason	DATE	20.08.2009
APPD:	Schumi			FINISH	Jamy		Sheet No.		1 from 2

EDCON-COMPONENTS



Ordering Informations

Serie	Knob Style	Contact Structure	Switch Function	Connect Type	Crust Material	ROHS	Packing Style
-------	------------	-------------------	-----------------	--------------	----------------	------	---------------

Q36039	E	10	C	1	S	R	N
---------------	----------	-----------	----------	----------	----------	----------	----------

E= Type E Center	10= 1NC	C= OFF-(ON)	1= Screw Terminal	S= Stainless Steel	R= ROHS Conform	N= White Carton
					N= NON ROHS Conform	I= Individual Packing

21,8MM Anti-Vandal-Switch
Part No.: Q36039
Customer:

DRW:	Jason	CHKD	Wilson	MATL:	Wilson	TOLERANCE	Mason	DATE	20.08.2009
APPD:	Schumi			FINISH	Jamy		Sheet No.		2 from 2