

EDCON-COMPONENTS



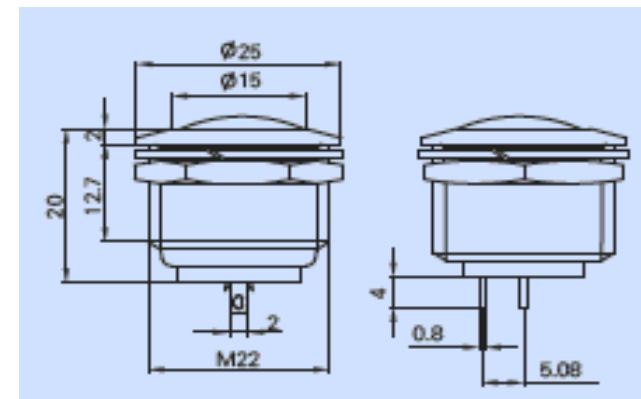
Specifications

Switch Rating:	50mA/36VDC
Contact Configuration:	1NC
IP-Degree:	IP65
Crust Material:	Stainless Steel
Terminal Type:	Solder Lug Terminal
Switching:	OFF- (ON)
Contact Resistance:	≤ 60mΩ
Insulation Resistance:	≥ 1000MΩ
Dielectric Strength:	500VAC / 50Hz / 1 min.
Operating Temperature:	. -40°C ~ +85°C
Mechanical Life:	50.000 cycles
Electrical Life:	50.000 cycles
Panel Thickness:	1 ~ 6mm
Torque:	5 ~ 10Nm
Operating Pressure:	About 4N
Operating Distance:	About 1,5Nm

Material

Contact:	Silver Alloy
Button:	Stainless Steel
Body:	Stainless Steel
Base:	PBT
ROHS:	Made to Order-Code

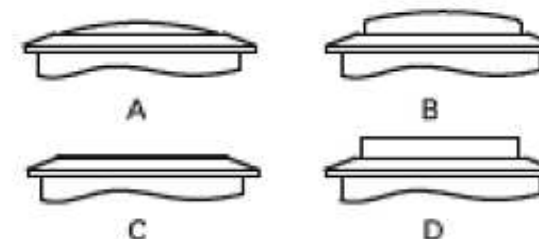
Drawing



Mounting Hole



Knob Style



22MM Anti-Vandal-Switch

Part No.: **Q36038**

Customer:

DRW:	Jason	CHKD	Wilson	MATL:	Wilson	TOLERANCE	Mason	DATE	20.08.2009
APPD:	Schumi			FINISH	Jamy		Sheet No.	1 from 2	

EDCON-COMPONENTS



Ordering Informations

Serie	Knob Style	Contact Structure	Switch Function	Connect Type	Crust Material	ROHS	Packing Style
Q36038	A	10	C	2	S	R	N

A= Type A Ball	10= 1NC	C= OFF-(ON)	2= Solder Lug	S= Stainless Steel	R= ROHS Conform	N= White Carton
B= Type B High Ball					N= NON ROHS Conform	I= Individual Packing
C= Type C Flat						
D= Type D High Flat						

22MM Anti-Vandal-Switch

Part No.: **Q36038**

DRW:	Jason	CHKD	Wilson	MATL:	Wilson	TOLERANCE	Mason	DATE	20.08.2009
APPD:	Schumi			FINISH	Jamy		Sheet No.		2 from 2

Customer: