

EDCON-COMPONENTS



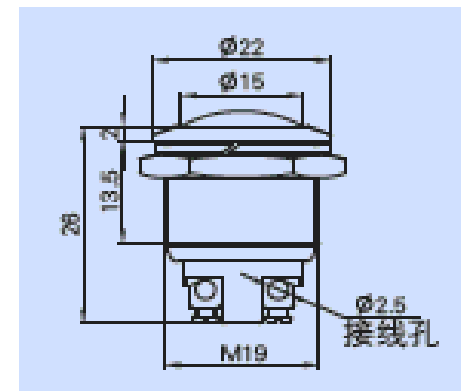
Specifications

| | |
|------------------------|-------------------------|
| Switch Rating: | 5A/250VAC |
| Contact Configuration: | 1NC |
| IP-Degree: | IP65 |
| Crust Material: | Stainless Steel |
| Terminal Type: | Screw Terminal |
| Switching: | OFF- (ON) |
| Contact Resistance: | ≤ 0,02Ω |
| Insulation Resistance: | ≥ 1000MΩ |
| Dielectric Strength: | 1500VAC / 50Hz / 1 min. |
| Operating Temperature: | . -40°C ~ +85°C |
| Mechanical Life: | 50.000 cycles |
| Electrical Life: | 50.000 cycles |
| Panel Thickness: | 1 ~ 6mm |
| Torque: | 5 ~ 10Nm |
| Operating Pressure: | About 4N |
| Operating Distance: | About 1,5Nm |

Material

| | |
|--------------|--------------------|
| Contact: | Silver Alloy |
| Button: | Stainless Steel |
| Body: | Stainless Steel |
| Base: | PBT |
| ROHS: | Made to Order-Code |

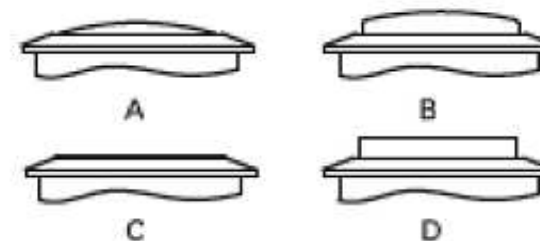
Drawing



Mounting Hole



Knob Style



22MM Anti-Vandal-Switch

Part No.: **Q36005**

Customer:

| | | | | | | | | | |
|-------|--------|------|--------|--------|--------|-----------|-----------|----------|------------|
| DRW: | Jason | CHKD | Wilson | MATL: | Wilson | TOLERANCE | Mason | DATE | 20.08.2009 |
| APPD: | Schumi | | | FINISH | Jamy | | Sheet No. | 1 from 2 | |

EDCON-COMPONENTS



Ordering Informations

| Serie | Knob Style | Contact Structure | Switch Function | Connect Type | Crust Material | ROHS | Packing Style |
|---------------|------------|-------------------|-----------------|--------------|----------------|----------|---------------|
| Q36005 | A | 10 | C | 1 | S | R | N |

| | | | | | | |
|----------------------------|----------------|--------------------|--------------------------|---------------------------|----------------------------|------------------------------|
| A= Type A Ball | 10= 1NC | C= OFF-(ON) | 1= Screw Terminal | S= Stainless Steel | R= ROHS Conform | N= White Carton |
| B= Type B High Ball | | | | | N= NON ROHS Conform | I= Individual Packing |
| C= Type C Flat | | | | | | |
| D= Type D High Flat | | | | | | |

22MM Anti-Vandal-Switch

Part No.: **Q36005**

| | | | | | | | | | |
|-------|--------|------|--------|--------|--------|-----------|-----------|------|------------|
| DRW: | Jason | CHKD | Wilson | MATL: | Wilson | TOLERANCE | Mason | DATE | 20.08.2009 |
| APPD: | Schumi | | | FINISH | Jamy | | Sheet No. | | 2 from 2 |

Customer: