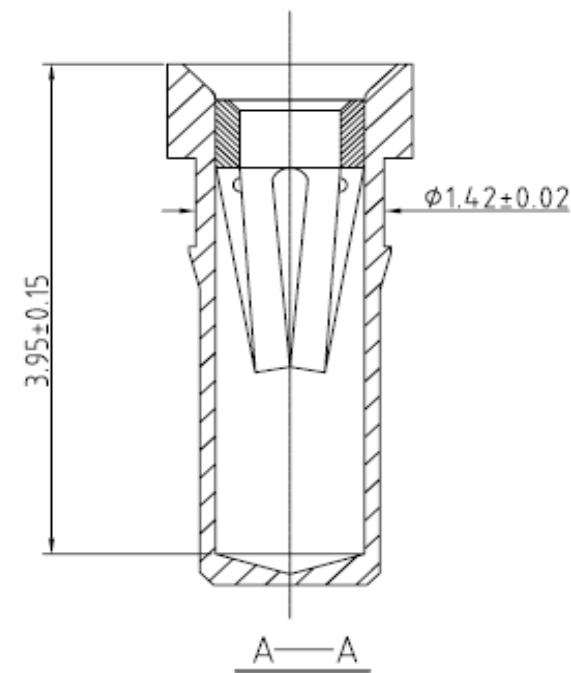
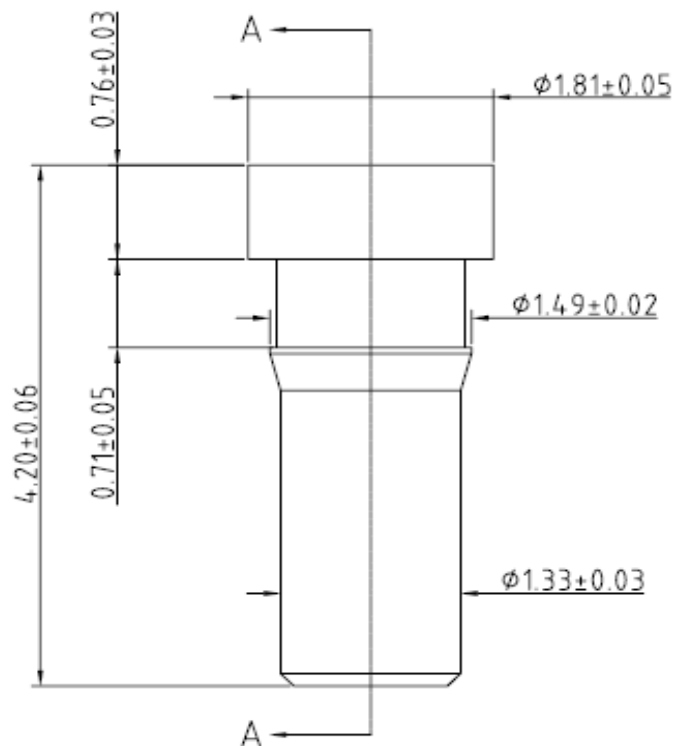
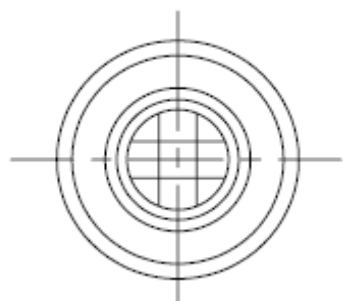




Specifications

Pin: Brass machined CuZn38pB2
 Clip: 4/6 finger Beryllium Copper
 Plating outside: look order code table
 Plating contact: look order code table
Electrical:
 Current rating: 3A / contact max.
 Contact Resistance: < 4m Ω / contact
Mechanical Life: min 200 cycle

Drawing



Machined Contact Female Header

Part No.: **T40229 -**

Customer:

DRW:	Jason	CHKD	Wilson	MATL:	Wilson	TOLERANCE	Mason	DATE	24.01.2014
APPD:	Schumi			FINISH	Jamy		Sheet No.	1 from 2	



Order Code contact plating

Order Code	Dimension (mm)	
	Clip Plated	Pin plated
A01	Gold flash	Tin 200μ
A02	Gold 10μ	Tin 200μ
A03	Gold 30μ	Tin 200μ
A04	Tin 200μ	Tin 200μ
A05	Gold flash	Gold flash
A06	Gold 10μ	Gold flash
A07	Gold 30μ	Gold flash
A08	Gold 30μ	Gold 10μ

Machined Contact Female Header

Part No.: **T40229 -**

Customer:

DRW:	Jason	CHKD	Wilson	MATL:	Wilson	TOLERANCE	Mason	DATE	24.01.2014
APPD:	Schumi			FINISH	Jamy		Sheet No.		2 from 2



Ordering Informations

Serie	Pin Plating Code	Contact Clip Type	ROHS	Packing						
T40229 -	A01	A	R	BU						

A01= Platingh Code	A=4 finger clip	N=NO ROHS conform	BU= Bulk
	B=6 finger clip	R=ROHS conform	

Machined Contact Female Header
Part No.: T40229 -
Customer:

DRW:	Jason	CHKD	Wilson	MATL:	Wilson	TOLERANCE	Mason	DATE	24.01.2014
APPD:	Schumi			FINISH	Jamy		Sheet No.		2 from 2