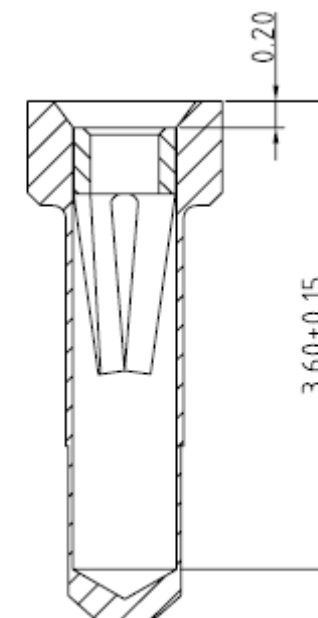
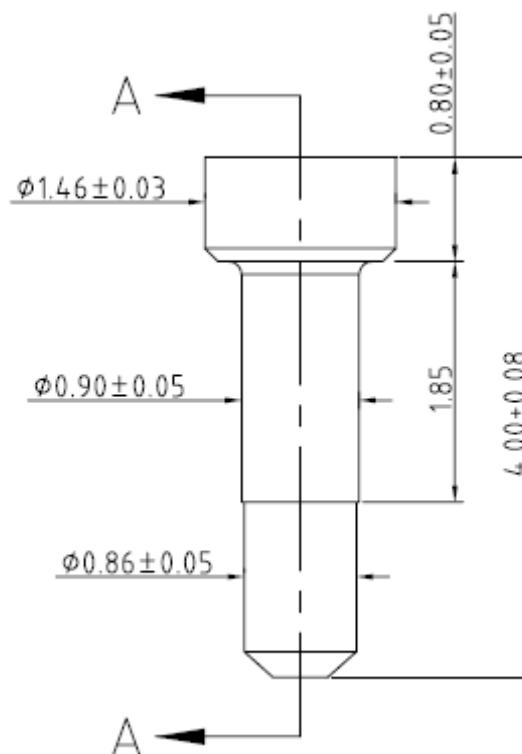




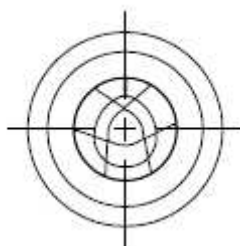
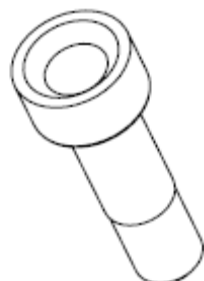
Specifications

Pin: Brass machined CuZn38pB2
 Clip: 3 finger PhBz heat treated
 Plating outside: look order code table
 Plating contact: look order code table
Electrical:
 Current rating: 3A / contact max.
 Contact Resistance: < 4m Ω / contact
Mechanical Life: min 200 cycle

Drawing



SECTION A-A



Machined Contact Female Header

Part No.: **T40228 -**

Customer:

DRW:	Jason	CHKD	Wilson	MATL:	Wilson	TOLERANCE	Mason	DATE	24.01.2014
APPD:	Schumi			FINISH	Jamy		Sheet No.	1 from 2	



Order Code contact plating

Order Code	Dimension (mm)	
	Clip Plated	Pin plated
A01	Gold flash	Tin 200µ
A02	Gold 10µ	Tin 200µ
A03	Gold 30µ	Tin 200µ
A04	Tin 200µ	Tin 200µ
A05	Gold flash	Gold flash
A06	Gold 10µ	Gold flash
A07	Gold 30µ	Gold flash
A08	Gold 30µ	Gold 10µ

Machined Contact Female Header
Part No.: T40228 -
Customer:

DRW:	Jason	CHKD	Wilson	MATL:	Wilson	TOLERANCE	Mason	DATE	24.01.2014
APPD:	Schumi			FINISH	Jamy		Sheet No.		2 from 2



Ordering Informations

Serie	Pin Plating Code	ROHS	Packing							
T40228 -	A01	R	BU							

A01= Platingh Code	N=NO ROHS conform	BU= Bulk
	R=ROHS conform	

Machined Contact Female Header
Part No.: T40228 -
Customer:

DRW:	Jason	CHKD	Wilson	MATL:	Wilson	TOLERANCE	Mason	DATE	24.01.2014
APPD:	Schumi			FINISH	Jamy		Sheet No.		2 from 2