

# Data Sheet

## THR Wafer 180° w/o mounting Flange

**Pitch: 3,50 mm**

**Serie: A26028**

### Customer Information for special Item

**EDCON Customer : 0**

**Customer Version No. : 0**

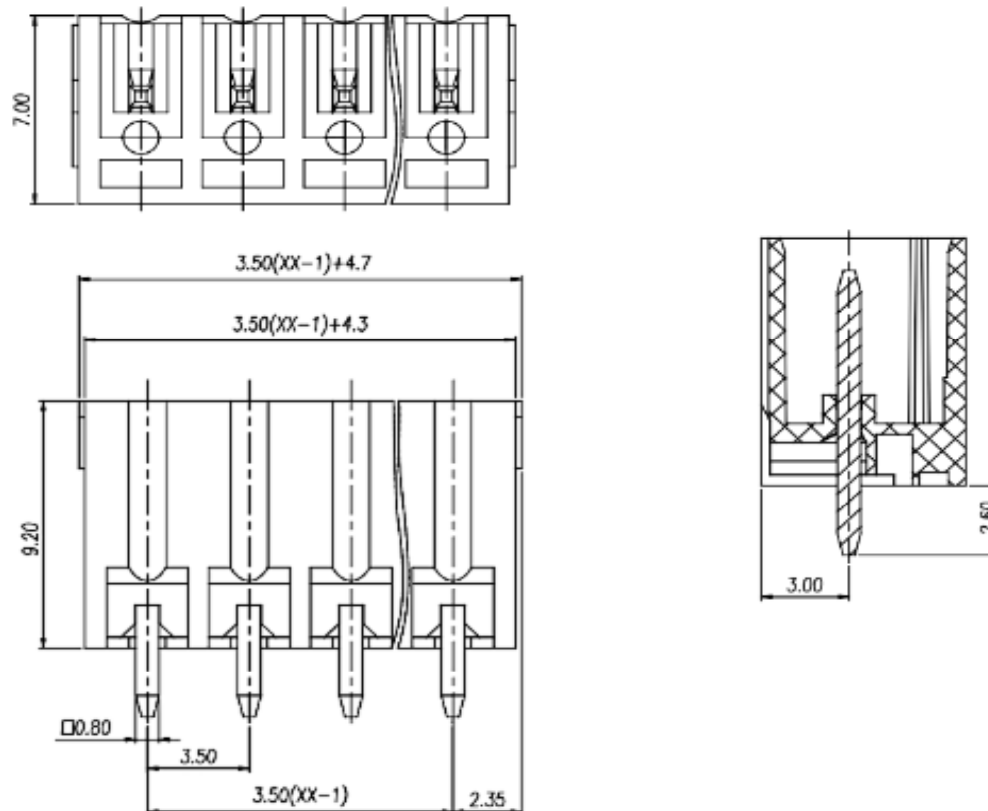
# EDCON-COMPONENTS



## Technical Discription

<b>Electrical</b>	UL	IEC
Rated Voltage	300Volt	160Volt
Rated Current	8A	8A
Dielectric Withstanding Voltage	1,6KV	1,6KV
Impuls Withstanding Voltage	2,5KV	2,5KV
<b>Mechanical</b>		
Operating Temperature	-40°C ~ +130°C	
Soldering Temperature:	280°C/10sec.	

## Drawing (Dimension in mm)



## Dimensions

Pitch (mm)	3,50
Poles	2 ~ 24 Pos.

## Materials

Terminal Housing:	LCP
Flame retardant rating	UL94V-0
Male Contact:	Copper
Surface Plated:	Tin plated
PIC and PLACE CAP:	PA46 ( UL94V0)

Tolerance (mm)			
2P ~ 6P	7P ~ 12P	12P ~ 16P	
+.0,10/ -0.10	+.0,15/ -0.15	+.0,20/ -0.20	
TOLERANCE	Mason	DATE	08.07.2021
	Sheet No.		1 from 4

<b>THR Wafer 180° w/o mounting Flange</b>	
Part No.:	<b>A26028</b>
Customer:	

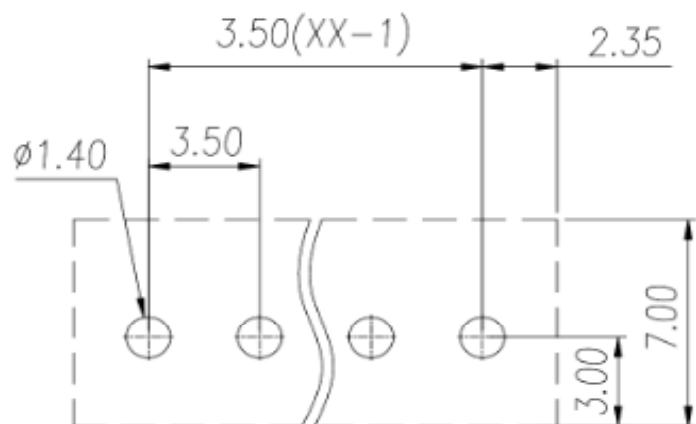
DRW:	Jason	CHKD	Wilson	MATL:	Wilson	TOLERANCE	Mason	DATE	08.07.2021
APPD:	Schumi			FINISH	Jamy			Sheet No.	1 from 4

# EDCON-COMPONENTS



## PCB Layout

## Dimensions (mm)



No. of Pos.	L	P
02	7,00	3,50
03	10,50	7,00
04	14,00	10,50
05	17,50	14,00
06	21,00	17,50
07	24,50	21,00
08	28,00	24,50
09	31,50	28,00
10	35,00	31,50
11	38,50	35,00
12	42,00	38,50
13	45,50	42,00
14	49,00	45,50
15	52,50	49,00
16	56,00	52,50
17	59,50	56,00
18	63,00	59,50
19	66,50	63,00
20	70,00	66,50
21	73,50	70,00
22	77,00	73,50
23	80,50	77,00
24	84,00	80,50

**THR Wafer 180° w/o  
mounting Flange**

Part No.: **A26028**

Customer:

DRW:	Jason	CHKD	Wilson	MATL:	Wilson	TOLERANCE	Mason	DATE	08.07.2021
APPD:	Schumi			FINISH	Jamy		Sheet No.	2 from 4	

# EDCON-COMPONENTS



## Ordering Informations

Serie	No. of Pos.	Body Color	No Function	Approval Code	ROHS	Packing	EDCON Cust. No.	Customer Version		
<b>A26028</b>	<b>XX</b>	<b>BK</b>	<b>N</b>	<b>N</b>	<b>R</b>	<b>BU</b>				

Pitch  
3,50

<b>XX=</b> Number of Pos. Standard 2 ~ 24Pos.	<b>BK=</b> Black ( Standard)	<b>N=</b> No function	<b>N=</b> NON Approval <b>A=</b> UL /UR Approval Please consult EDCON for available <b>B=</b> VDE Approval Please consult EDCON for available <b>C=</b> TÜV Approval Please consult EDCON for available	<b>R=</b> ROHS Conform <b>N=</b> NON ROHS Conform	<b>TC=</b> Tube Packing w. CAP <b>TR=</b> TAPE/ REEL Pack-w. CAP <b>BU=</b> Bulk-Ware	<b>xxxxxx=</b> Customer Number	<b>xxx=</b> Customer Version ??(Printing)
--	------------------------------	-----------------------	---	--	---	--------------------------------	---

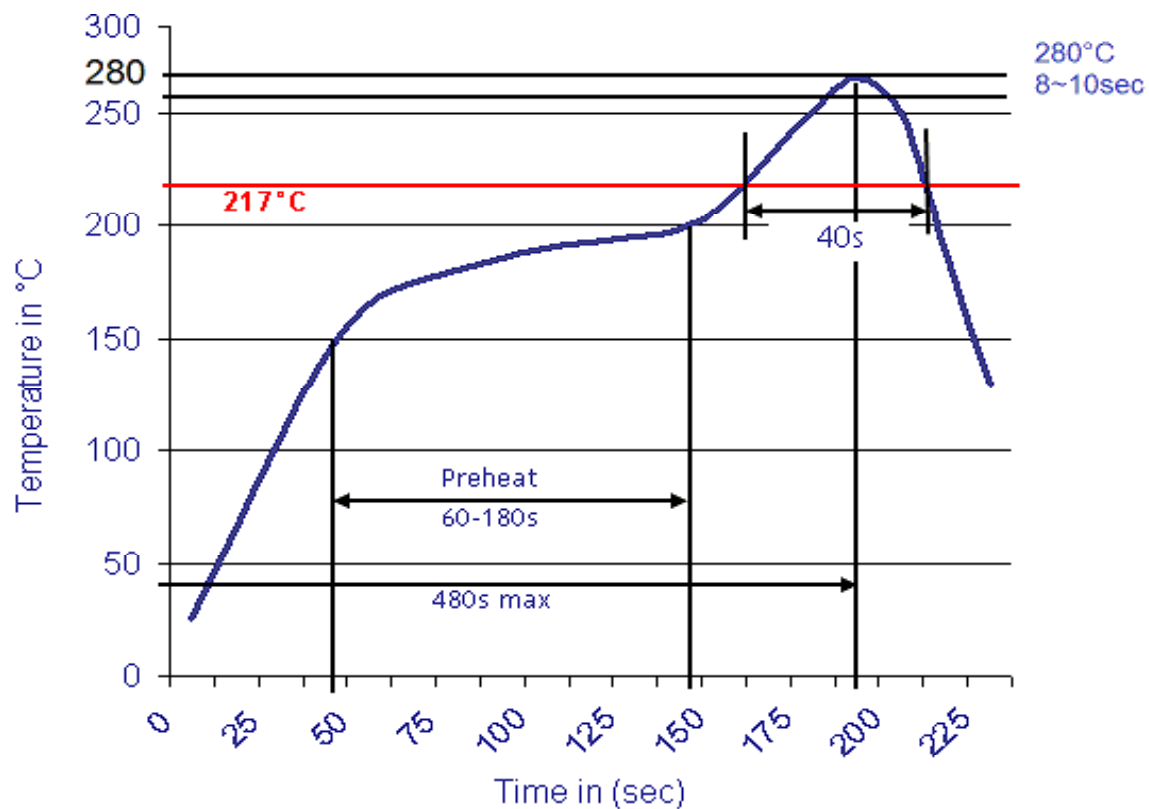
**THR Wafer 180° w/o mounting Flange**  
Part No.: **A26028**  
Customer:

DRW:	Jason	CHKD	Wilson	MATL:	Wilson	TOLERANCE	Mason	DATE	08.07.2021
APPD:	Schumi			FINISH	Jamy		Sheet No.		3 from 4



Soldering Profile Curve

Classification Reflow Profile (JEDEC J-STD-020C)



**THR Wafer 180° w/o mounting Flange**

Part No.: **A26028**

Customer:

DRW:	Jason	CHKD	Wilson	MATL:	Wilson	TOLERANCE	Mason	DATE	08.07.2021
APPD:	Schumi			FINISH	Jamy		Sheet No.	4 from 4	