

Data Sheet

THR Wafer 180° w/o mounting Flange

Pitch: 3,81 mm

Serie: A26028

Customer Information for special Item

EDCON Customer : 0

Customer Version No. : 0

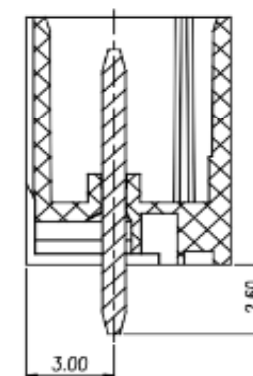
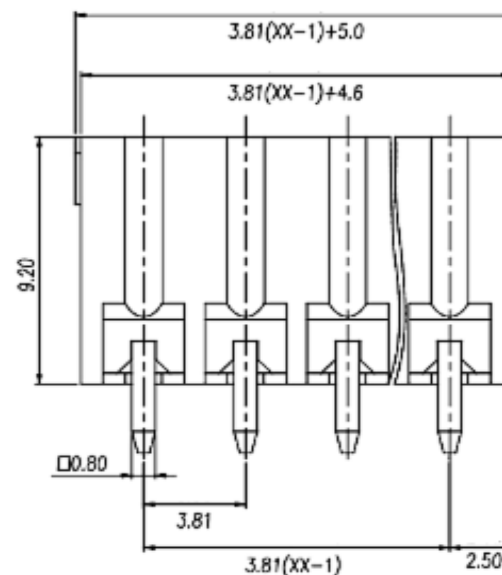
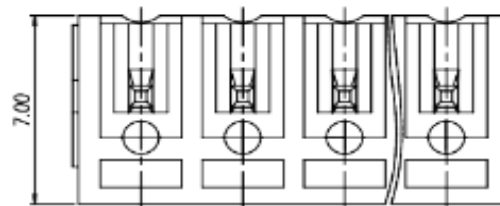
EDCON-COMPONENTS



Technical Discription

Electrical	UL	IEC
Rated Voltage	300Volt	160Volt
Rated Current	8A	8A
Dielectric Withstanding Voltage	1,6KV	1,6KV
Impuls Withstanding Voltage	2,5KV	2,5KV
Mechanical		
Operating Temperature	-40°C ~ +130°C	
Soldering Temperature:	280°C/10sec.	

Drawing (Dimension in mm)



Dimensions

Pitch (mm)	3,81
Poles	2 ~ 24 Pos.

Materials

Terminal Housing:	LCP
Flame retardant rating	UL94V-0
Male Contact:	Copper
Surface Plated:	Tin plated
PIC and PLACE CAP:	PA46 (UL94V0)

Tolerance (mm)			
2P ~ 6P	7P ~ 12P	12P ~ 16P	
+.0,10/ -0.10	+.0,15/ -0.15	+.0,20/ -0.20	
TOLERANCE	Mason	DATE	08.07.2021
	Sheet No.		1 from 4

THR Wafer 180° w/o mounting Flange	
Part No.:	A26028
Customer:	

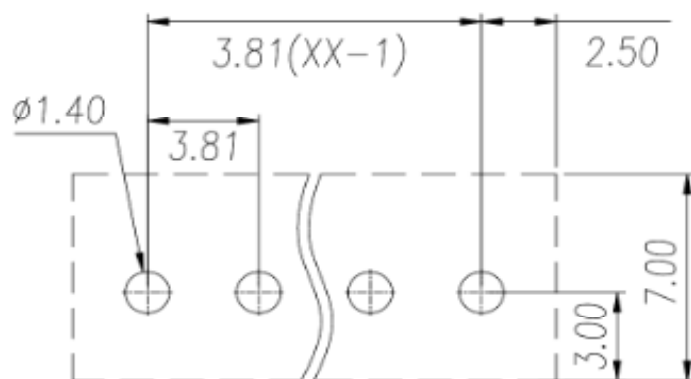
DRW:	Jason	CHKD	Wilson	MATL:	Wilson	TOLERANCE	Mason	DATE	08.07.2021
APPD:	Schumi			FINISH	Jamy			Sheet No.	1 from 4

EDCON-COMPONENTS



PCB Layout

Dimensions (mm)



No. of Pos.	L	P
02	7,62	3,81
03	11,43	7,62
04	15,24	11,43
05	19,05	15,24
06	22,86	19,05
07	26,67	22,86
08	30,48	26,67
09	34,29	30,48
10	38,10	34,29
11	41,91	38,10
12	45,72	41,91
13	49,53	45,72
14	53,34	49,53
15	57,15	53,34
16	60,96	57,15
17	64,77	60,96
18	68,58	64,77
19	72,39	68,58
20	76,20	72,39
21	80,01	76,20
22	83,82	80,01
23	87,63	83,82
24	91,44	87,63

**THR Wafer 180° w/o
mounting Flange**

Part No.: **A26028**

DRW:	Jason	CHKD	Wilson	MATL:	Wilson	TOLERANCE	Mason	DATE	08.07.2021	Customer:
APPD:	Schumi			FINISH	Jamy		Sheet No.	2 from 4		

EDCON-COMPONENTS



Ordering Informations

Serie	No. of Pos.	Body Color	No Function	Approval Code	ROHS	Packing	EDCON Cust. No.	Customer Version		
A26028	XX	BK	N	N	R	BU				

Pitch
3,81

XX= Number of Pos. Standard 2 ~ 24Pos.	BK= Black (Standard)	N= No function	N= NON Approval A= UL /UR Approval Please consult EDCON for available B= VDE Approval Please consult EDCON for available C= TÜV Approval Please consult EDCON for available	R= ROHS Conform N= NON ROHS Conform	TC= Tube Packing w. CAP TR= TAPE/ REEL Pack-w. CAP BU= Bulk-Ware	xxxxxx= Customer Number	xxx= Customer Version ??(Printing)
--	------------------------------	-----------------------	---	--	---	--------------------------------	---

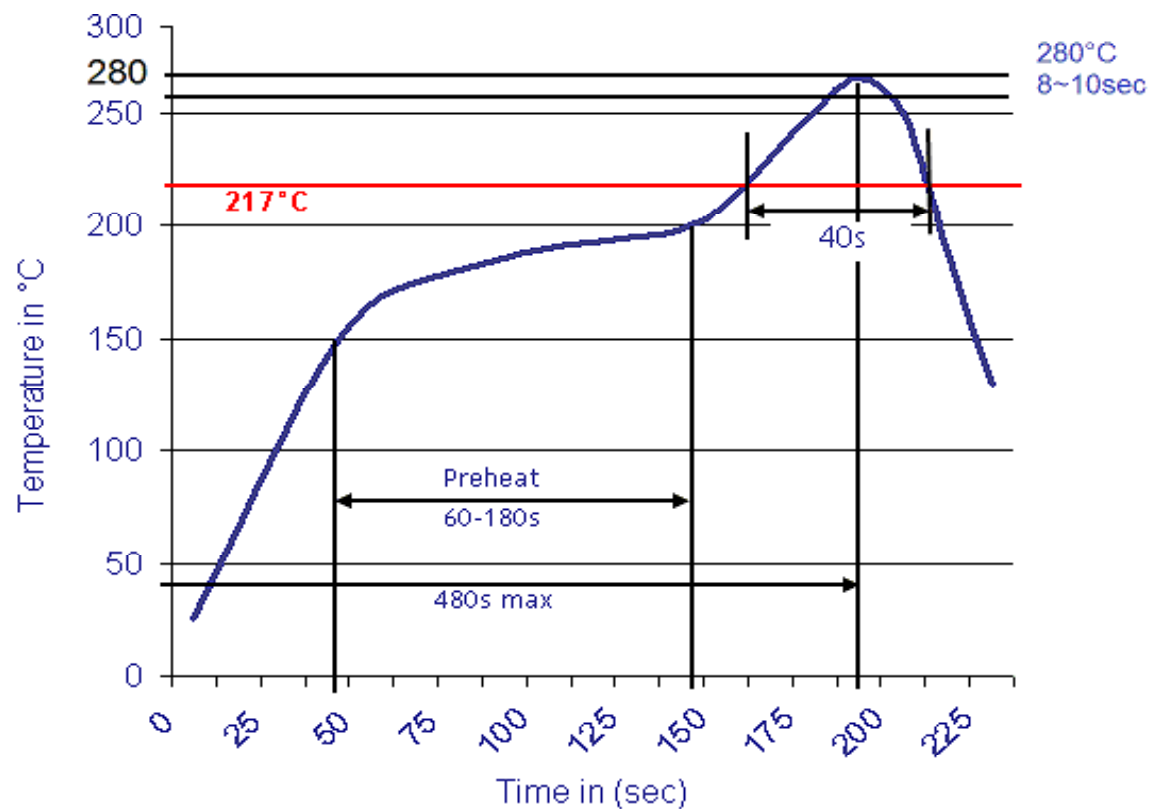
THR Wafer 180° w/o mounting Flange	
Part No.:	A26028
Customer:	

DRW:	Jason	CHKD	Wilson	MATL:	Wilson	TOLERANCE	Mason	DATE	08.07.2021
APPD:	Schumi			FINISH	Jamy		Sheet No.		3 from 4



Soldering Profile Curve

Classification Reflow Profile (JEDEC J-STD-020C)



THR Wafer 180° w/o mounting Flange

Part No.: **A26028**

Customer:

DRW:	Jason	CHKD	Wilson	MATL:	Wilson	TOLERANCE	Mason	DATE	08.07.2021
APPD:	Schumi			FINISH	Jamy		Sheet No.	4 from 4	