

Data Sheet

SMD Elevated Terminal Block

Pitch: 3,50 mm

Serie: A26002

Customer Information for special Item

EDCON Customer : 0

Customer Version No. : 0

EDCON-COMPONENTS



Technical Discription

Electrical	UL	IEC
Rated Voltage	300 Volt	300 Volt
Rated Current	10A	10A
Wire Range		
Solid Wire		AWG 16~30
Stranged Wire		AWG 16~30
Withstanding Voltage		1,6KV
Insulation Resistance		5000MΩ / 1000V

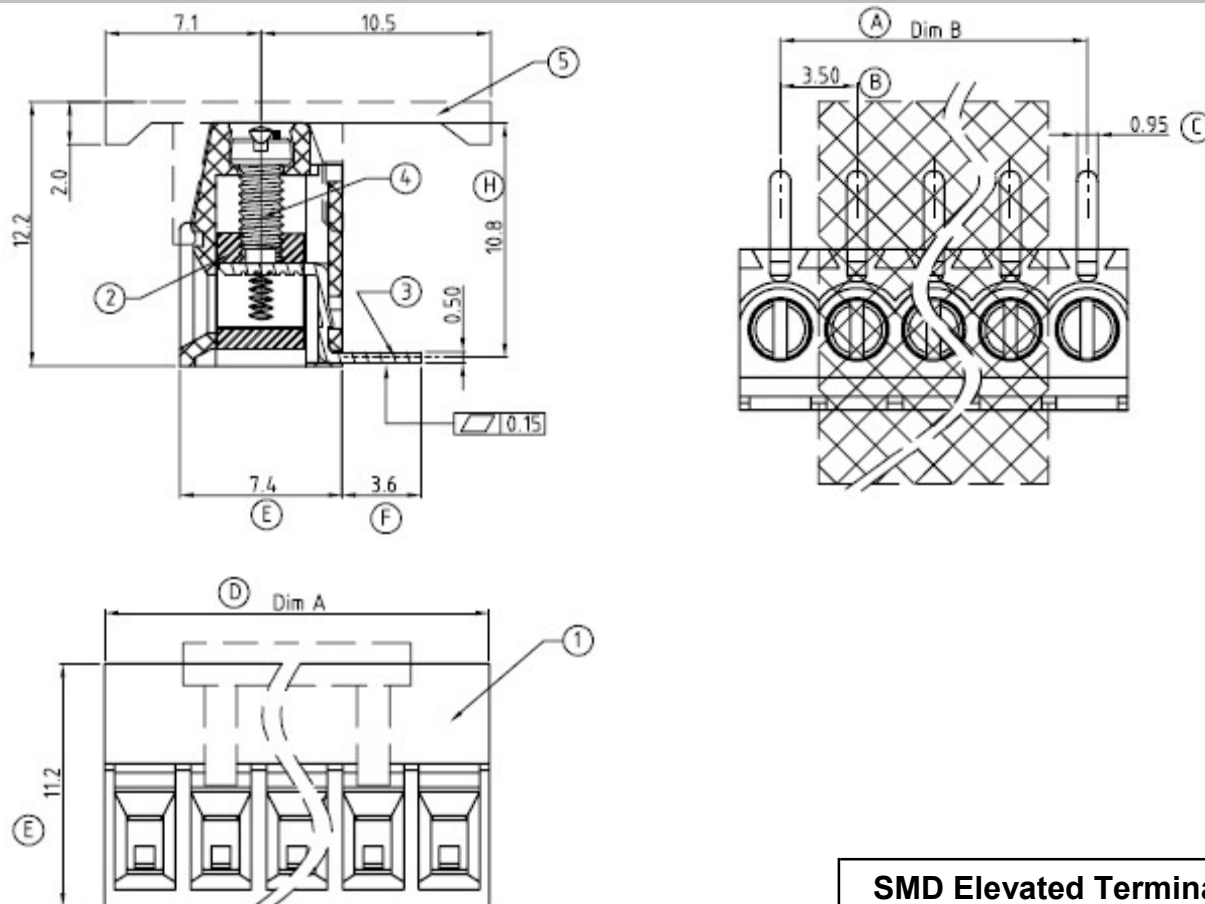
Mechanical	
Operating Temperature	-45°C ~ +130°C
Wire Strip Length	4+5mm

Dimensions	
Pitch (mm)	3,50
Poles	2 + 3Pos. ~ 16 Pos.

Materials		
Terminal Housing	Thermoplastic PA9T (UL94V-0)	1
Clamp	Brass Ni, plated	2
Wire guard	Wire guard solder Pin Brass/ Tin	3
Terminal screw	Steel Zinc plating	4
Terminal Housing Cover	Thermoplastic PA9T (UL94V-0)	5
Screw-Type:	M2,0	
Torque:	1,7Nm.	

Soldering Temperature: 280° / 10Sec.

Drawing (Dimension in mm)



SMD Elevated Terminal Block	
Part No.:	A26002
Customer:	

DRW:	Jason	CHKD	Wilson	MATL:	Wilson	TOLERANCE	Mason	DATE	28.02.2023
APPD:	Schumi			FINISH	Jamy			Sheet No.	1 from 3

www.edcon-components.com

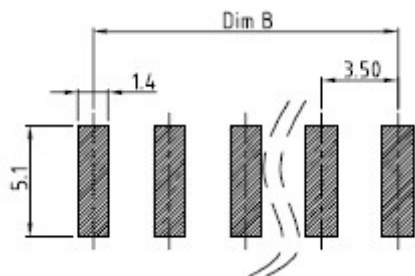
email: info@edcon-components.com

EDCON-COMPONENTS



PCB-Layout (mm)

Dimensions (mm)



SMD Elevated Terminal Block

Dim A	Dim B	Poles	2~5P	6~10P	11~16P	
$N \times 3.50 + 0,20$	$(N-1) \times 3.50$	Tolerance (mm)	$\pm 0,10$	$\pm 0,20$	$\pm 0,30$	
DRW: Jason	CHKD: Wilson	MATL: Wilson	TOLERANCE: Mason	DATE: 28.02.2023	Customer:	
APPD: Schumi	FINISH:	Jamy	Sheet No.	2 from 3		

Part No.: **A26002**

www.edcon-components.com

email: info@edcon-components.com



EDCON-COMPONENTS



Ordering Informations

Serie	No. of Pos.	Body Color	No Function	Approval Code	ROHS	Packing	EDCON Cust. No.	Customer Version		
A26002	02	BK	A	1	R	TR				

Pitch
3,50

02= Number of Pos. Standard 2 + 3Pos- ~ 16Pos.		A= Slotted Screw Type (Standard) 	N= NON Approval	R= ROHS Conform	B= Bulk-Ware	xxxxxx= Customer Number	xxx= Customer Version ??(Printing)
		B= Cross Slotted Screw Type 	A= UL /UR Approval Please consult EDCON for available	N= NON ROHS Conform			
					I= Individual Package		
					TR= Tape/Reel w. Pic and Place CAP		
	BK= Black						
			1= UL Approval for Material				

SMD Elevated Terminal Block	
Part No.:	A26002
Customer:	

DRW:	Jason	CHKD	Wilson	MATL:	Wilson	TOLERANCE	Mason	DATE	28.02.2023
APPD:	Schumi			FINISH	Jamy		Sheet No.		3 from 3