

Data Sheet

Screwless Terminal Block

Pitch: 7,50 mm

Serie: A14Q040

Customer Information for special Item

EDCON Customer : 0

Customer Version No. : 0

EDCON-COMPONENTS



Technical Discription

Drawing (Dimension in mm)

Electrical

Rated voltage 300V
 Rated current 10A

Mechanical

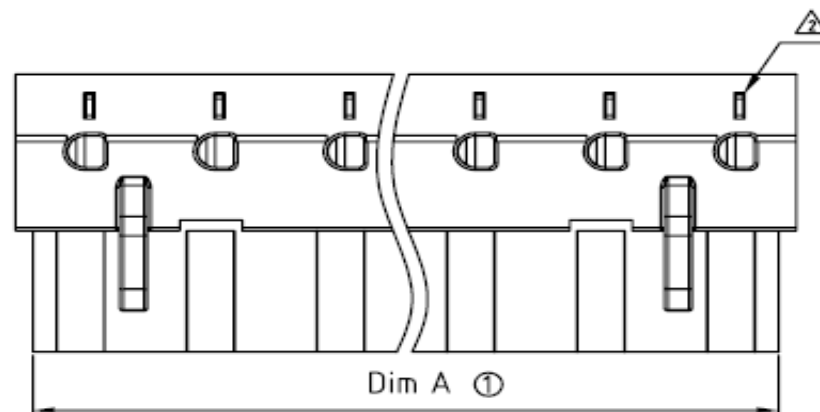
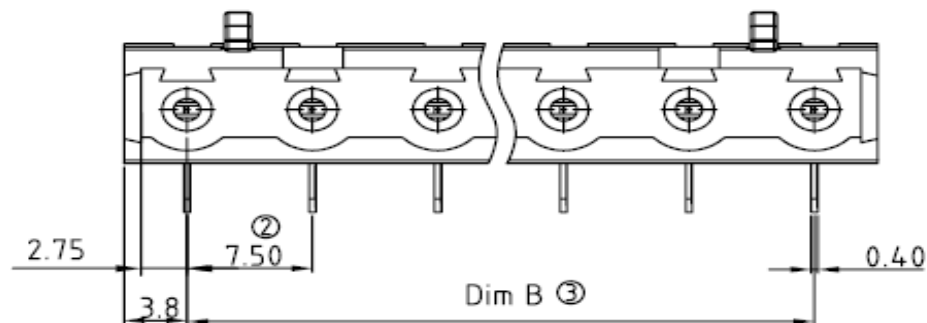
Withstanding voltage 1,6kv
 Temperature range -40°C ~ 115°C

Dimensions

Pitch 7,5mm
 Poles 2P - 16P

Material

Housing Thermoplastic UL94V-0
 Pin header PhBz Tin Plated



Screwless Terminal Block

Part No.: **A14Q040**

Customer:

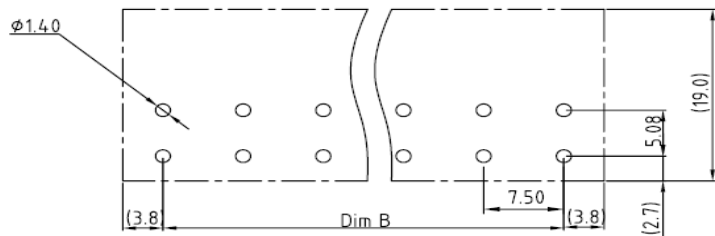
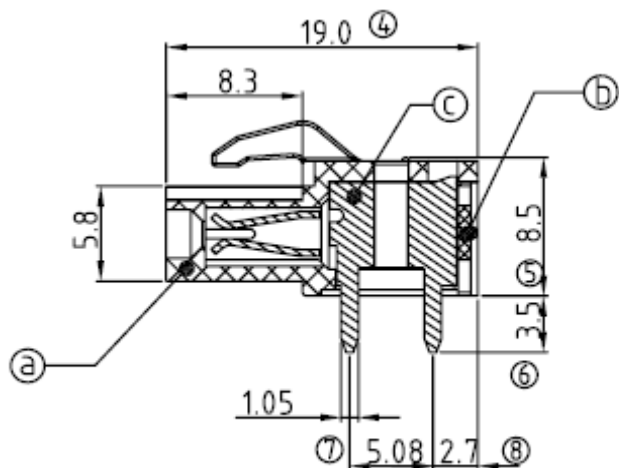
DRW:	Jason	CHKD	Wilson	MATL:	Wilson	TOLERANCE	Mason	DATE	17.02.2014
APPD:	Schumi			FINISH	Jamy		Sheet No.	1 from 4	

EDCON-COMPONENTS



Drawing (Dimension in mm)

Dimensions (mm)



PCB LAYOUT

No. of Pos.	A	Tol. P	B	Tol. P
02	13,00	± 0,30	7,50	± 0,30
03	20,50	± 0,30	15,00	± 0,30
04	28,00	± 0,30	22,50	± 0,30
05	35,50	± 0,30	30,00	± 0,30
06	43,00	± 0,30	37,50	± 0,30
07	50,50	± 0,30	45,00	± 0,30
08	58,00	± 0,30	52,50	± 0,30
09	65,50	± 0,30	60,00	± 0,30
10	73,00	± 0,30	67,50	± 0,30
11	80,50	± 0,30	75,00	± 0,30
12	88,00	± 0,30	82,50	± 0,30
13	95,50	± 0,30	90,00	± 0,30
14	103,00	± 0,30	97,50	± 0,30
15	110,50	± 0,30	105,00	± 0,30
16	118,00	± 0,30	112,50	± 0,30

Screwless Terminal Block

Part No.: **A14Q040**

DRW:	Jason	CHKD	Wilson	MATL:	Wilson	TOLERANCE	Mason	DATE	17.02.2014
APPD:	Schumi			FINISH	Jamy		Sheet No.		2 from 4

Customer:

EDCON-COMPONENTS



Ordering Informations

Serie	No. of Pos.	Body Color	Approval	Approval Code	ROHS	Packing	EDCON Cust. No.	Customer Version		
-------	-------------	------------	----------	---------------	------	---------	-----------------	------------------	--	--

A14Q040	02	GN	N	N	R	B				
----------------	-----------	-----------	----------	----------	----------	----------	--	--	--	--

Pitch: 7,50	02 = Number of Pos. Standard 2 ~ 16Pos.	GY = Gray (Standard) GN = Green OR = Orange BK = Black	N = No Approval 1 = Approval for Material 2 = Approval for Terminal Block	N = NON Approval A = UL /UR Approval Please consult EDCON for available B = VDE Approval Please consult EDCON for available C = TÜV Approval Please consult EDCON for available	R = ROHS Conform N = NON ROHS Conform	B = Standard Package I = Individual Package	xxxxxx = Customer Number	xxx = Customer Version ??(Printing)		
----------------	---	---	--	--	--	--	---------------------------------	--	--	--

Screwless Terminal Block

Part No.: **A14Q040**

Customer:

DRW:	Jason	CHKD	Wilson	MATL:	Wilson	TOLERANCE	Mason	DATE	17.02.2014
APPD:	Schumi			FINISH	Jamy			Sheet No.	3 from 4



Soldering Profile Curve

Classification Reflow Profile (JEDEC J-STD-020C)



Screwless Terminal Block

Part No.: **A14Q040**

Customer:

DRW:	Jason	CHKD	Wilson	MATL:	Wilson	TOLERANCE	Mason	DATE	17.02.2014
APPD:	Schumi			FINISH	Jamy		Sheet No.	4 from 4	

