

Data Sheet

Pluggable Terminal Block (Plug)

Pitch: 5,08 mm

Serie: A14M105

Customer Information for special Item

EDCON Customer : 0

Customer Version No. : 0

EDCON-COMPONENTS



Technical Description

Drawing (Dimension in mm)

	UR/US	Approvals
Electrical		
Rated Voltage	300V	
Rated Current	10A	
Wire Range		
Solid Wire		12 ~ 26
Standed Wire		12 ~ 26
Withstanding Voltage	1,6KV	
Insulation Resistance		5000MΩ / 1000V
Mechanical		
Operating Temperature		-40°C ~ +115°C
Wire Strip Length		9-10mm
Screw Torque		
Screw Size		
Dimensions		
Pitch (mm)		5,08
Poles		2 ~ 24 Pos.
Materials		
Terminal Housing		Thermoplastic, UL94V-0
Lever from of Terminal		Thermoplastic, UL94V-0
Clamp		Brass Ni-plated
Female Contact		Copper tin-plated
Wire Guard		Stainless Steel
Screw		Steel Ni-plated / Zinc plated

No. of Pos.	A	B			Tol. A
02	10,16	5,08			± 0,20
03	15,24	10,16			± 0,20
04	20,32	15,24			± 0,20
05	25,40	20,32			± 0,20
06	30,48	25,40			± 0,20
07	35,56	30,48			± 0,30
08	40,64	35,56			± 0,30
09	45,72	40,64			± 0,30
10	50,80	45,72			± 0,30
11	55,88	50,80			± 0,30
12	60,96	55,88			± 0,30
13	66,04	60,96			± 0,40
14	71,12	66,04			± 0,40
15	76,20	71,12			± 0,40
16	81,28	76,20			± 0,40
17	86,36	81,28			± 0,50
18	91,44	86,36			± 0,50
19	96,52	91,44			± 0,50
20	101,60	96,52			± 0,50
21	106,68	101,60			± 0,50
22	111,76	106,68			± 0,50
23	116,84	111,76			± 0,50
24	121,92	116,84			± 0,50

Pluggable Terminal Block (Plug)

Part No.: **A14M105**

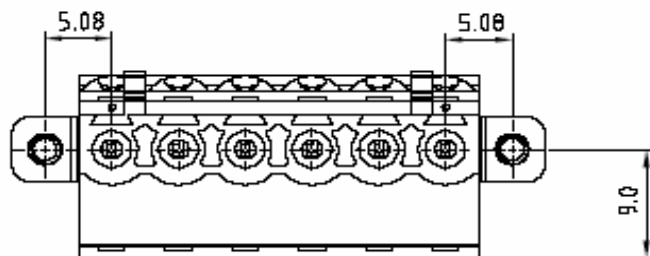
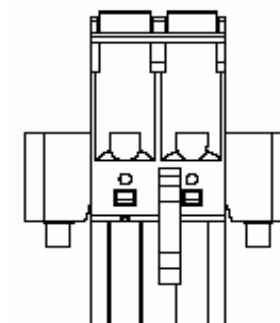
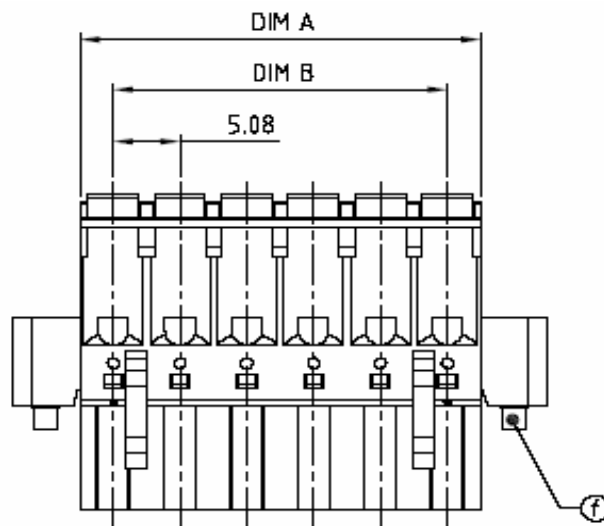
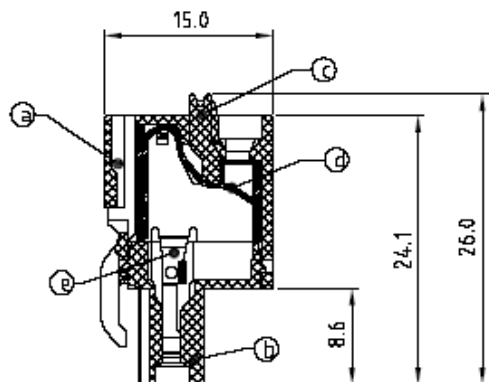
Customer:

DRW:	Jason	CHKD	Wilson	MATL:	Wilson	TOLERANCE	Mason	DATE	31.05.2012
APPD:	Schumi			FINISH	Jamy		Sheet No.		1 from 3

EDCON-COMPONENTS



Drawing (Dimension in mm)



**Pluggable Terminal Block
(Plug)**

Part No.: **A14M105**

Customer:

DRW:	Jason	CHKD	Wilson	MATL:	Wilson	TOLERANCE	Mason	DATE	31.05.2012
APPD:	Schumi			FINISH	Jamy		Sheet No.	2 from 3	

EDCON-COMPONENTS



Ordering Informations

Serie	No. of Pos.	Body Color	Screw Type	Approval Code	ROHS	Packing	EDCON Cust. No.	Customer Version		
-------	-------------	------------	------------	---------------	------	---------	-----------------	------------------	--	--

A14M105	02	PG	N	N	R	B				
----------------	-----------	-----------	----------	----------	----------	----------	--	--	--	--

Pitch 5,08	02= Number of Pos. Standard 2 ~ 24Pos.	PG= Phoenix Green (Standard)	N= No screw function	N= NON Approval	R= ROHS Conform	B= Bulk-Ware I= Individual Package	xxxxxx= Customer Number	xxx= Customer Version ??(Printing)
		WH= White		A= UL /UR Approval Please consult EDCON for available	N= NON ROHS Conform			
		GN= Green	B= VDE Approval Please consult EDCON for available	C= TÜV Approval Please consult EDCON for available				
		GY= Gray						
		LG= Light Gray						
		OR= Orange						
		BL= Blue						
	BK= Black							

Pluggable Terminal Block (Plug)

Part No.: **A14M105**

DRW:	Jason	CHKD	Wilson	MATL:	Wilson	TOLERANCE	Mason	DATE	31.05.2012
APPD:	Schumi			FINISH	Jamy			Sheet No.	3 from 3

Customer: