

Data Sheet

Pluggable Terminal Block (Plug)

Pitch: 5,08 mm

Serie: A14M104

Customer Information for special Item

EDCON Customer : 0

Customer Version No. : 0

EDCON-COMPONENTS



Technical Description

Drawing (Dimension in mm)

		Approvals
		UR/US
Electrical		
Rated Voltage	300V	
Rated Current	10A	
Wire Range		
Solid Wire	12 ~ 26	
Standed Wire	12 ~ 26	
Withstanding Voltage	1,6KV	
Insulation Resistance	5000MΩ / 1000V	
Mechanical		
Operating Temperature	-40°C ~ +115°C	
Wire Strip Length	9-10mm	
Screw Torque		
Screw Size		
Dimensions		
Pitch (mm)	5,08	
Poles	2 ~ 24 Pos.	
Materials		
Terminal Housing	Thermoplastic, UL94V-0	
Lever from of Terminal	Thermoplastic, UL94V-0	
Clamp	Brass Ni-plated	
Female Contact	Copper tin-plated	
Wire Guard	Stainless Steel	
Screw	Steel Ni-plated / Zinc plated	

No. of Pos.	A	B			Tol. B
02	10,16	5,08			± 0,15
03	15,24	10,16			± 0,15
04	20,32	15,24			± 0,15
05	25,40	20,32			± 0,15
06	30,48	25,40			± 0,15
07	35,56	30,48			± 0,20
08	40,64	35,56			± 0,20
09	45,72	40,64			± 0,20
10	50,80	45,72			± 0,20
11	55,88	50,80			± 0,20
12	60,96	55,88			± 0,20
13	66,04	60,96			± 0,30
14	71,12	66,04			± 0,30
15	76,20	71,12			± 0,30
16	81,28	76,20			± 0,30
17	86,36	81,28			± 0,40
18	91,44	86,36			± 0,40
19	96,52	91,44			± 0,40
20	101,60	96,52			± 0,40
21	106,68	101,60			± 0,40
22	111,76	106,68			± 0,40
23	116,84	111,76			± 0,40
24	121,92	116,84			± 0,40

Pluggable Terminal Block (Plug)

Part No.: **A14M104**

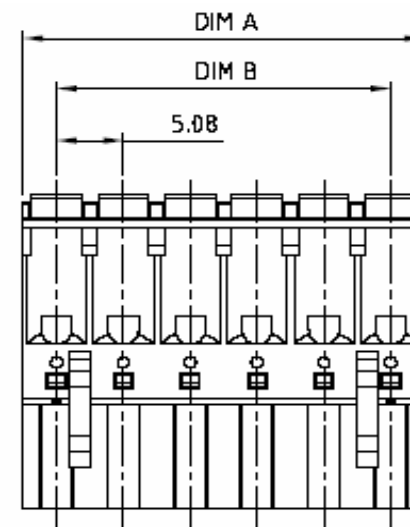
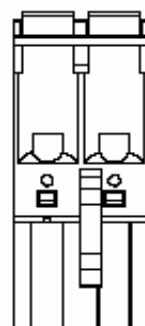
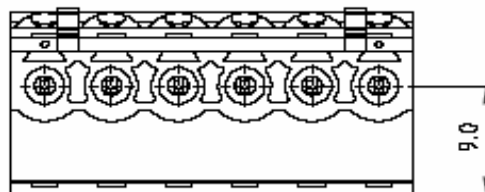
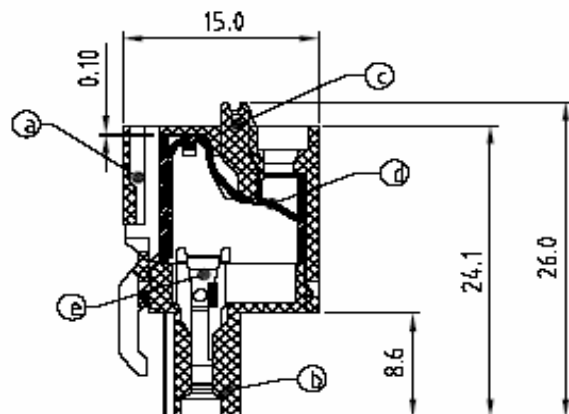
Customer:

DRW:	Jason	CHKD	Wilson	MATL:	Wilson	TOLERANCE	Mason	DATE	31.05.2012
APPD:	Schumi			FINISH	Jamy		Sheet No.		1 from 3

EDCON-COMPONENTS



Drawing (Dimension in mm)



**Pluggable Terminal Block
(Plug)**

Part No.: **A14M104**

Customer:

DRW:	Jason	CHKD	Wilson	MATL:	Wilson	TOLERANCE	Mason	DATE	31.05.2012
APPD:	Schumi			FINISH	Jamy		Sheet No.	2 from 3	

EDCON-COMPONENTS



Ordering Informations

Serie	No. of Pos.	Body Color	Screw Type	Approval Code	ROHS	Packing	EDCON Cust. No.	Customer Version		
-------	-------------	------------	------------	---------------	------	---------	-----------------	------------------	--	--

A14M104	02	PG	N	N	R	B				
----------------	-----------	-----------	----------	----------	----------	----------	--	--	--	--

Pitch 5,08	02 = Number of Pos. Standard 2 ~ 24Pos.	PG = Phoenix Green (Standard)	N = No screw function	N = NON Approval	R = ROHS Conform	B = Bulk-Ware I = Individual Package	xxxxxx = Customer Number	xxx = Customer Version ??(Printing)
	WH = White	A = UL /UR Approval Please consult EDCON for available		N = NON ROHS Conform				
	GN = Green	B = VDE Approval Please consult EDCON for available	C = TÜV Approval Please consult EDCON for available					
	GY = Gray							
	LG = Light Gray							
	OR = Orange							
	BL = Blue							
BK = Black								

Pluggable Terminal Block (Plug)

Part No.: **A14M104**

DRW:	Jason	CHKD	Wilson	MATL:	Wilson	TOLERANCE	Mason	DATE	31.05.2012
APPD:	Schumi			FINISH	Jamy		Sheet No.		3 from 3

Customer: