

Data Sheet

Pluggable Terminal Block (Plug)

Pitch: 5,08 mm

Serie: A14M102

Customer Information for special Item

EDCON Customer : 0

Customer Version No. : 0

EDCON-COMPONENTS



Technical Description

Drawing (Dimension in mm)

	UR/US	Approvals
Electrical		
Rated Voltage	300V	
Rated Current	20A	
Wire Range	0,34~2,5mm ²	
Solid Wire	12 ~ 22	
Standed Wire	12 ~ 22	
Withstanding Voltage	1,6KV	
Insulation Resistance	5000MΩ / 1000V	
Mechanical		
Operating Temperature	-40°C ~ +115°C	
Wire Strip Length	7-8mm	
Screw Torque	4 LB-In	
Screw Size	M3	
Dimensions		
Pitch (mm)	5,08	
Poles	2 ~ 24 Pos.	
Materials		
Terminal Housing	Thermoplastic, UL94V-0	
Clamp	Brass Ni-plated	
Female Contact	Phosphor Bronze tin-plated	
Screw	Steel Ni-plated / Zinc plated	

No. of Pos.	A	B			Tol. B
02	10,16	5,08			± 0,10
03	15,24	10,16			± 0,10
04	20,32	15,24			± 0,10
05	25,40	20,32			± 0,10
06	30,48	25,40			± 0,10
07	35,56	30,48			± 0,20
08	40,64	35,56			± 0,20
09	45,72	40,64			± 0,20
10	50,80	45,72			± 0,20
11	55,88	50,80			± 0,20
12	60,96	55,88			± 0,20
13	66,04	60,96			± 0,30
14	71,12	66,04			± 0,30
15	76,20	71,12			± 0,30
16	81,28	76,20			± 0,30
17	86,36	81,28			± 0,30
18	91,44	86,36			± 0,30
19	96,52	91,44			± 0,40
20	101,60	96,52			± 0,40
21	106,68	101,60			± 0,40
22	111,76	106,68			± 0,40
23	116,84	111,76			± 0,40
24	121,92	116,84			± 0,40

Pluggable Terminal Block (Plug)

Part No.: **A14M102**

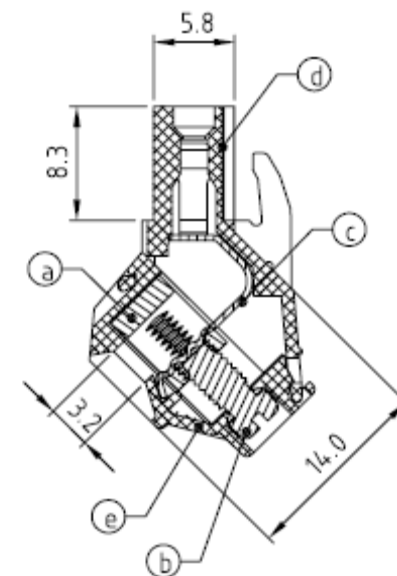
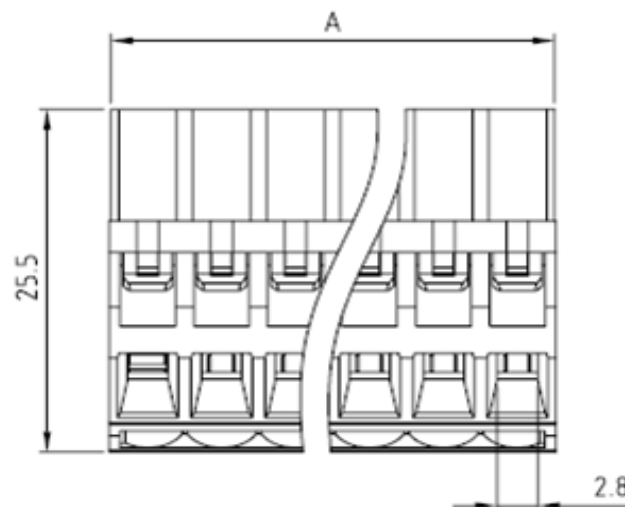
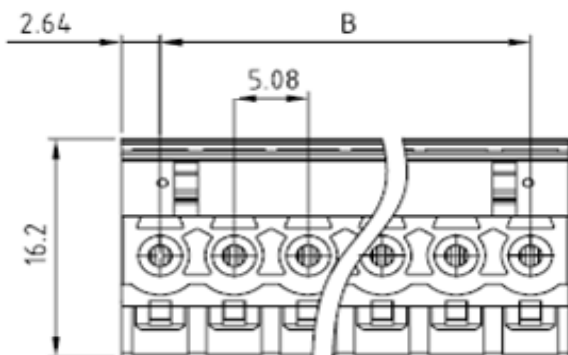
Customer:

DRW:	Jason	CHKD	Wilson	MATL:	Wilson	TOLERANCE	Mason	DATE	08.04.2015
APPD:	Schumi			FINISH	Jamy		Sheet No.		1 from 3

EDCON-COMPONENTS



Drawing (Dimension in mm)



Pluggable Terminal Block (Plug)

Part No.: **A14M102**

Customer:

DRW:	Jason	CHKD	Wilson	MATL:	Wilson	TOLERANCE	Mason	DATE	08.04.2015
APPD:	Schumi			FINISH	Jamy		Sheet No.	2 from 3	

www.edcon-components.com

email: info@edcon-components.com



EDCON-COMPONENTS



Ordering Informations

Serie	No. of Pos.	Body Color	Screw Type	Approval Code	ROHS	Packing	EDCON Cust. No.	Customer Version		
A14M102	02	PG	A	N	R	B				

Pitch
5,08

02= Number of Pos. Standard 2 ~ 24Pos.	PG= Phoenix Green (Standard)	A= Slotted Screw Type (Standard) 	N= NON Approval	R= ROHS Conform	B= Bulk-Ware I= Individual Package	xxxxxx= Customer Number	xxx= Customer Version ??(Printing)
	WH= White		A= UL /UR Approval Please consult EDCON for available	N= NON ROHS Conform			
	GN= Green	B= Cross Slotted Screw Type 	B= VDE Approval Please consult EDCON for available	C= TÜV Approval Please consult EDCON for available			
	GY= Gray						
	LG= Light Gray						
	OR= Orange						
	BL= Blue						
BK= Black							

Pluggable Terminal Block (Plug)

Part No.: **A14M102**

DRW:	Jason	CHKD	Wilson	MATL:	Wilson	TOLERANCE	Mason	DATE	08.04.2015
APPD:	Schumi			FINISH	Jamy		Sheet No.	3 from 3	Customer: