

Data Sheet

Screwless Terminal Block

Pitch: 5,08 mm

Serie: A14M089

Customer Information for special Item

EDCON Customer : 0

Customer Version No. : 0

EDCON-COMPONENTS



Technical Discription

Drawing (Dimension in mm)

Electrical

Rated voltage 300V
Rated current 20A

Mechanical

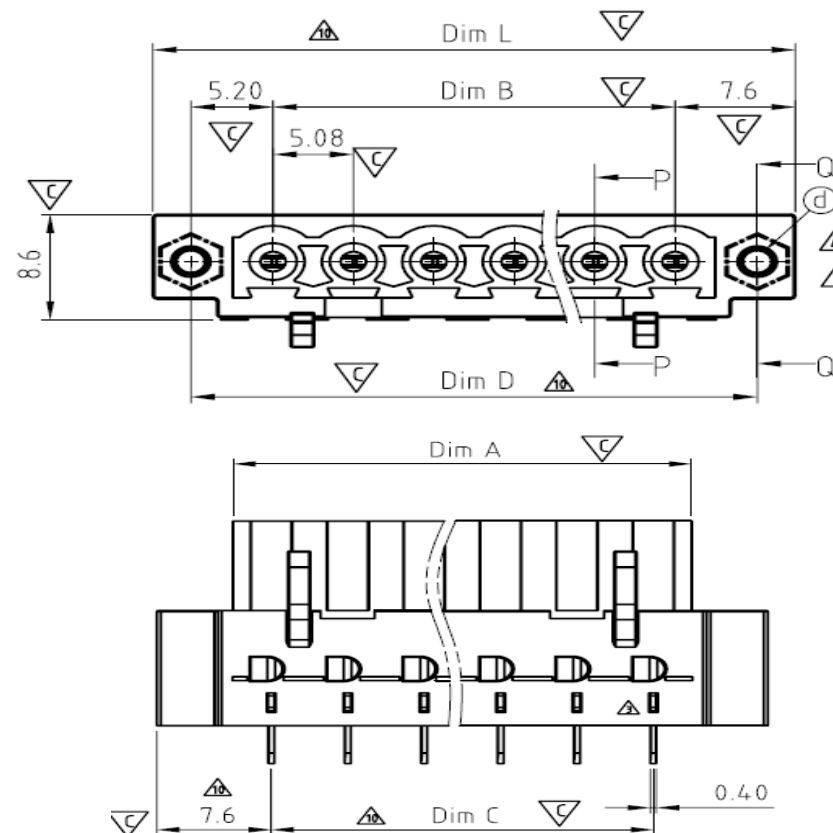
Withstanding voltage 1,6kv
Temperature range -40°C ~ 115°C

Dimensions

Pitch 5,08mm
Poles 2P - 24P

Material

Housing Thermoplastic UL94V-0
Pin header PhBz Tin Plated



Screwless Terminal Block

Part No.: **A14M089**

Customer:

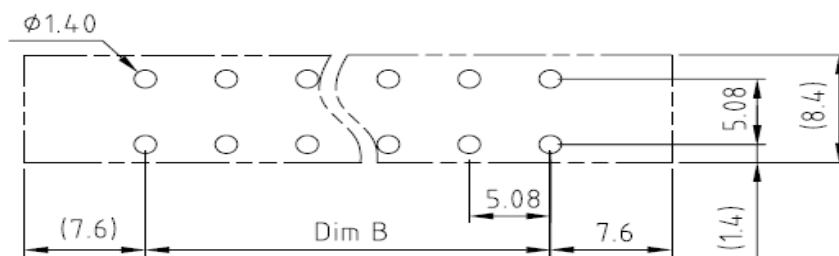
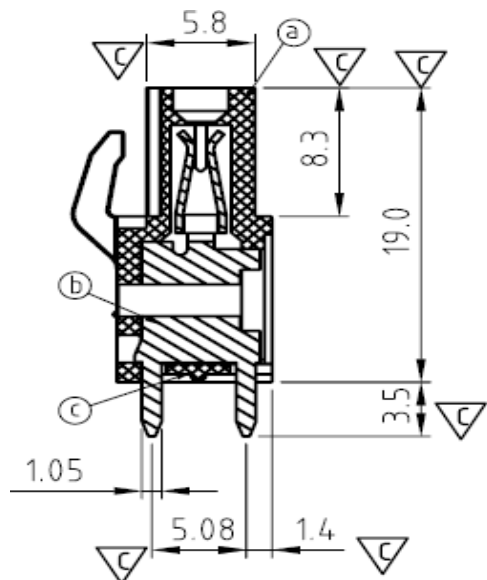
DRW:	Jason	CHKD	Wilson	MATL:	Wilson	TOLERANCE	Mason	DATE	17.02.2014
APPD:	Schumi			FINISH	Jamy		Sheet No.	1 from 4	

EDCON-COMPONENTS



Drawing (Dimension in mm)

Dimensions (mm)



P.C.B LAYOUT

No. of Pos.	A	Tol. P	B	Tol. P
02	10,16	$\pm 0,20$	5,08	$\pm 0,25$
03	15,24	$\pm 0,20$	10,16	$\pm 0,25$
04	20,32	$\pm 0,20$	15,24	$\pm 0,25$
05	25,40	$\pm 0,20$	20,32	$\pm 0,25$
06	30,48	$\pm 0,20$	25,40	$\pm 0,25$
07	35,56	$\pm 0,20$	30,48	$\pm 0,25$
08	40,64	$\pm 0,20$	35,56	$\pm 0,25$
09	45,72	$\pm 0,20$	40,64	$\pm 0,25$
10	50,80	$\pm 0,20$	45,72	$\pm 0,25$
11	55,88	$\pm 0,20$	50,80	$\pm 0,25$
12	60,96	$\pm 0,20$	55,88	$\pm 0,25$
13	66,04	$\pm 0,20$	60,96	$\pm 0,25$
14	71,12	$\pm 0,20$	66,04	$\pm 0,25$
15	76,20	$\pm 0,20$	71,12	$\pm 0,25$
16	81,28	$\pm 0,20$	76,20	$\pm 0,25$
17	86,36	$\pm 0,20$	81,28	$\pm 0,25$
18	91,44	$\pm 0,20$	86,36	$\pm 0,25$
19	96,52	$\pm 0,20$	91,44	$\pm 0,25$
20	101,60	$\pm 0,20$	96,52	$\pm 0,25$
21	106,68	$\pm 0,20$	101,60	$\pm 0,25$
22	111,76	$\pm 0,20$	106,68	$\pm 0,25$
23	116,84	$\pm 0,20$	111,76	$\pm 0,25$
24	121,92	$\pm 0,20$	116,84	$\pm 0,25$

Screwless Terminal Block

Part No.: **A14M089**

Customer:

DRW:	Jason	CHKD	Wilson	MATL:	Wilson	TOLERANCE	Mason	DATE	17.02.2014
APPD:	Schumi			FINISH	Jamy		Sheet No.		2 from 4

EDCON-COMPONENTS



Ordering Informations

Serie	No. of Pos.	Body Color	Approval	Approval Code	ROHS	Packing	EDCON Cust. No.	Customer Version		
-------	-------------	------------	----------	---------------	------	---------	-----------------	------------------	--	--

A14M089	02	GN	N	N	R	B				
----------------	-----------	-----------	----------	----------	----------	----------	--	--	--	--

Pitch 5,08	02= Number of Pos. Standard 2 ~ 24Pos.	GY= Gray (Standard)	N= No Approval	N= NON Approval	R= ROHS Conform	B= Standard Package	xxxxxx= Customer Number	xxx= Customer Version ??(Printing)
---------------	---	---------------------	----------------	-----------------	-----------------	---------------------	-------------------------	------------------------------------

			1= Approval for Material	A= UL /UR Approval Please consult EDCON for available	N= NON ROHS Conform	I= Individual Package		
		GN= Green	2= Approval for Terminal Block					
				B= VDE Approval Please consult EDCON for available				
		OR= Orange						
		BK= Black		C= TÜV Approval Please consult EDCON for available				

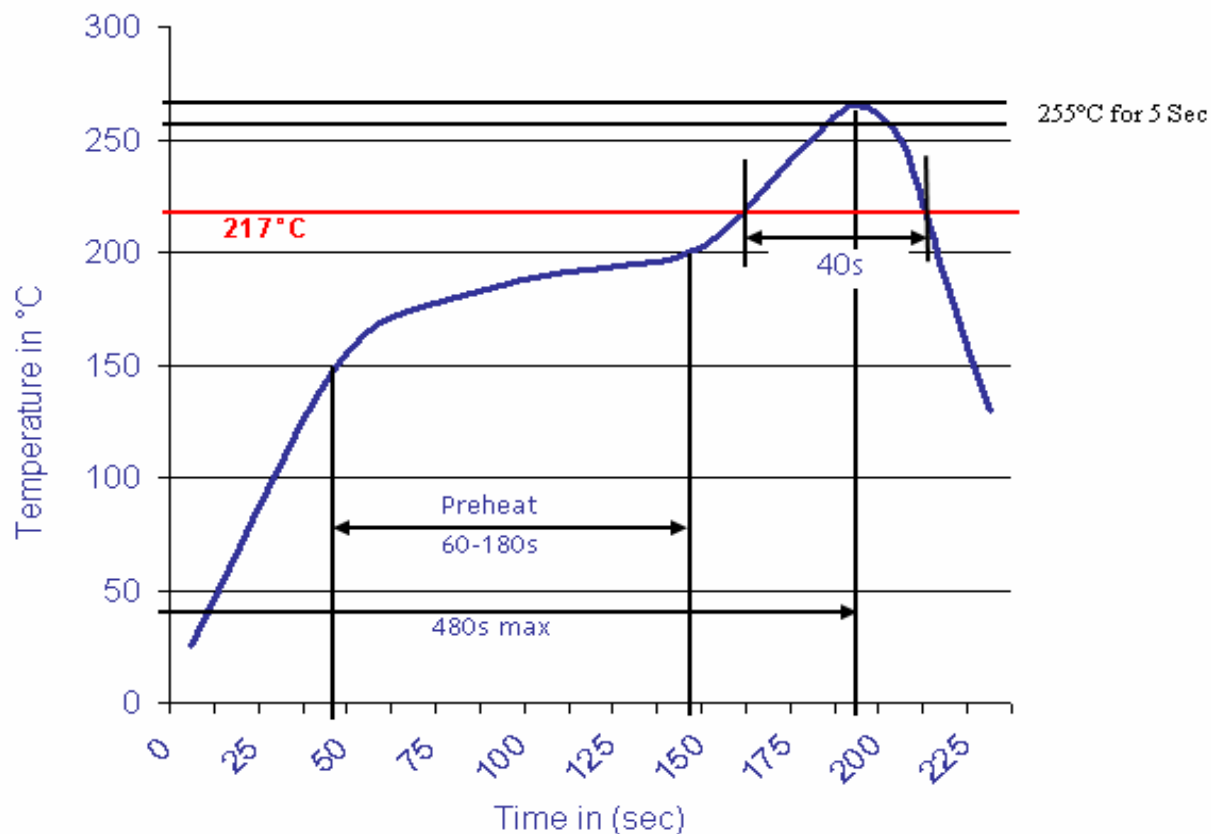
Screwless Terminal Block	
Part No.:	A14M089
Customer:	

DRW:	Jason	CHKD	Wilson	MATL:	Wilson	TOLERANCE	Mason	DATE	17.02.2014
APPD:	Schumi			FINISH	Jamy			Sheet No.	3 from 4



Soldering Profile Curve

Classification Reflow Profile (JEDEC J-STD-020C)



Screwless Terminal Block

Part No.: **A14M089**

Customer:

DRW:	Jason	CHKD	Wilson	MATL:	Wilson	TOLERANCE	Mason	DATE	17.02.2014
APPD:	Schumi			FINISH	Jamy		Sheet No.	4 from 4	

