

Data Sheet

Terminal Block (Inverted)

Pitch: 5,08 mm

Serie: A14M088

Customer Information for special Item

EDCON Customer : 0

Customer Version No. : 0

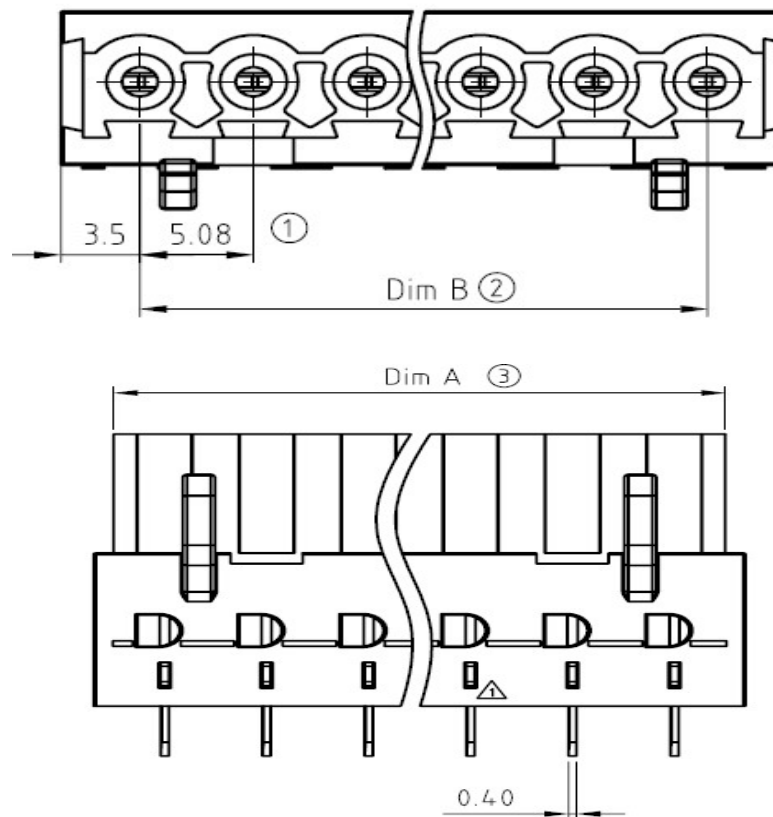
EDCON-COMPONENTS



Technical Discription

Electrical	UL	IEC	TÜV
Rated Voltage (V)	300	320	
Rated Current (A)	15	12	
Wire Range (mm ²)	1,0		
Wire Range AWG-Size	16 ~ 28		
Withstanding Voltage (KV)	1,6	1,6	
Impuls Withst Voltage (KV)	4	4	
Insulation Resistance			
Mechanical			
Operating Temperature (°C)	-40°C ~ +105		
Materials			
Terminal Housing	PA66		
Imflammability	UL94V-0		
Contact Material	Copper Alloy		
Contact Surface:	Tin Plated		
Pin Dimension: (mm)	0,4x1,1		
PCB Hole Diameter (mm)	1,4		
Cage	Brass Ni Plated		
Dimensions			
Pitch (mm)	5,08		
Poles	2 ~ 24 Pos.		

Drawing (Dimension in mm)



Unspecified Tolerance (mm)				
X.	X.x	X.xx	X.xxx	X.xxxx
0,35	0,25	0,2	0,15	
Wilson	TOLERANCE	Mason	DATE	23.07.2023
Jamy		Sheet No.	1 from 4	

Terminal Block (Inverted)	
Part No.:	A14M088
Customer:	

DRW:	Jason	CHKD	Wilson	MATL:	Wilson
APPD:	Schumi			FINISH	Jamy

www.edcon-components.com

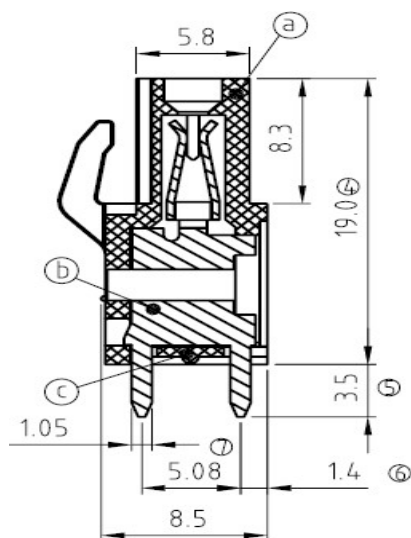
email: info@edcon-components.com

EDCON-COMPONENTS

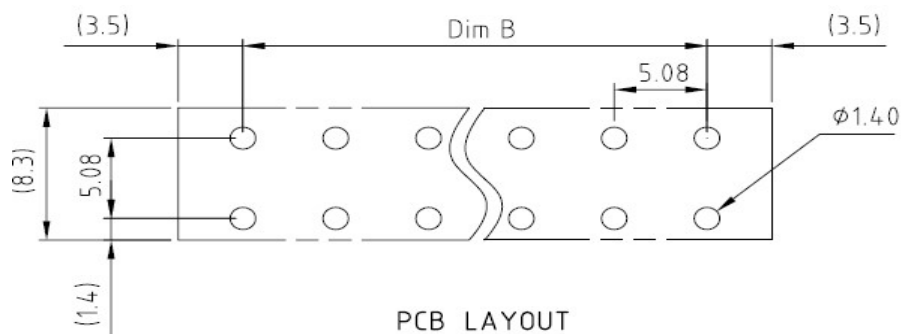


Drawing (Dimension in mm)

Dimensions (mm)



No. of Pos.	A	Tol. P	B	Tol. P
02	10,16	± 0,20	5,08	± 0,25
03	15,24	± 0,20	10,16	± 0,25
04	20,32	± 0,20	15,24	± 0,25
05	25,40	± 0,20	20,32	± 0,25
06	30,48	± 0,20	25,40	± 0,25
07	35,56	± 0,20	30,48	± 0,25
08	40,64	± 0,20	35,56	± 0,25
09	45,72	± 0,20	40,64	± 0,25
10	50,80	± 0,20	45,72	± 0,25
11	55,88	± 0,20	50,80	± 0,25
12	60,96	± 0,20	55,88	± 0,25
13	66,04	± 0,20	60,96	± 0,25
14	71,12	± 0,20	66,04	± 0,25
15	76,20	± 0,20	71,12	± 0,25
16	81,28	± 0,20	76,20	± 0,25
17	86,36	± 0,20	81,28	± 0,25
18	91,44	± 0,20	86,36	± 0,25
19	96,52	± 0,20	91,44	± 0,25
20	101,60	± 0,20	96,52	± 0,25
21	106,68	± 0,20	101,60	± 0,25
22	111,76	± 0,20	106,68	± 0,25
23	116,84	± 0,20	111,76	± 0,25
24	121,92	± 0,20	116,84	± 0,25



Terminal Block (Inverted)

Part No.: **A14M088**

DRW:	Jason	CHKD	Wilson	MATL:	Wilson	TOLERANCE	Mason	DATE	23.07.2023
APPD:	Schumi			FINISH	Jamy		Sheet No.		2 from 4

Customer:

EDCON-COMPONENTS



Ordering Informations

Serie	No. of Pos.	Body Color	Approval	Approval Code	ROHS	Packing	EDCON Cust. No.	Customer Version		
-------	-------------	------------	----------	---------------	------	---------	-----------------	------------------	--	--

A14M088	02	PG	N	N	R	B				
----------------	-----------	-----------	----------	----------	----------	----------	--	--	--	--

Pitch	02= Number of Pos.	PG= Phoenix Green (Standard)	N= No Approval	N= NON Approval	R= ROHS Conform	B= Standard Package	xxxxxx= Customer Number	xxx= Customer Version ??(Printing)
-------	--------------------	------------------------------	----------------	-----------------	-----------------	---------------------	-------------------------	------------------------------------

Pitch 5,08	Standard 2 ~ 24Pos.	GY= Gray	1= Approval for Material	A= UL /UR Approval Please consult EDCON for available	N= NON ROHS Conform	I= Individual Package		
		GN= Green	2= Approval for Terminal Block	B= VDE Approval Please consult EDCON for available				
		OR= Orange		C= TÜV Approval Please consult EDCON for available				
		BK= Black						

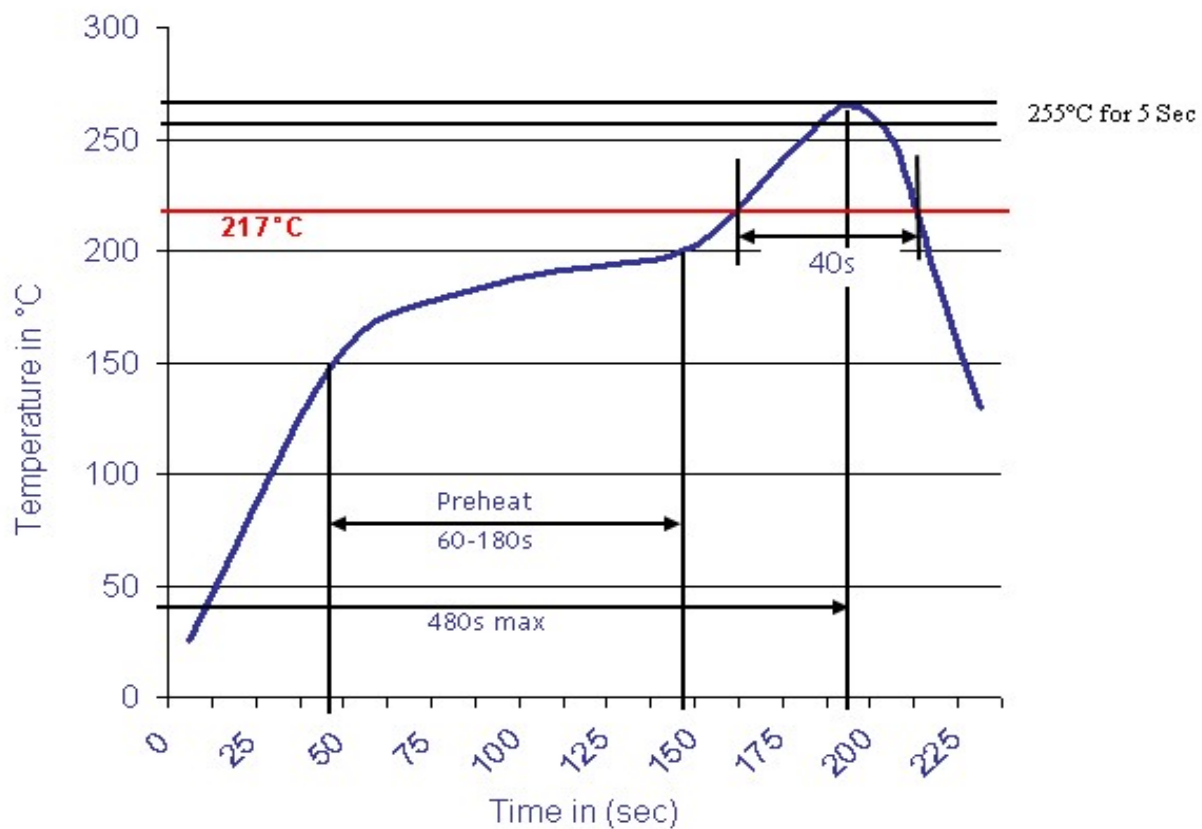
Terminal Block (Inverted)	
Part No.:	A14M088
Customer:	

DRW:	Jason	CHKD	Wilson	MATL:	Wilson	TOLERANCE	Mason	DATE	23.07.2023
APPD:	Schumi			FINISH	Jamy		Sheet No.		3 from 4



Soldering Profile Curve

Classification Reflow Profile (JEDEC J-STD-020C)



Terminal Block (Inverted)	
Part No.:	A14M088
Customer:	

DRW:	Jason	CHKD	Wilson	MATL:	Wilson	TOLERANCE	Mason	DATE	23.07.2023
APPD:	Schumi			FINISH	Jamy		Sheet No.	4 from 4	