

# Data Sheet

## Screwless Terminal Block

**Pitch: 5,08 mm**

**Serie: A14M086**

### Customer Information for special Item

**EDCON Customer : 0**

**Customer Version No. : 0**

# EDCON-COMPONENTS



## Technical Discription

## Drawing (Dimension in mm)

### Electrical

Rated voltage 300V  
Rated current 20A

Withstanding voltage 1,6kv

### Mechanical

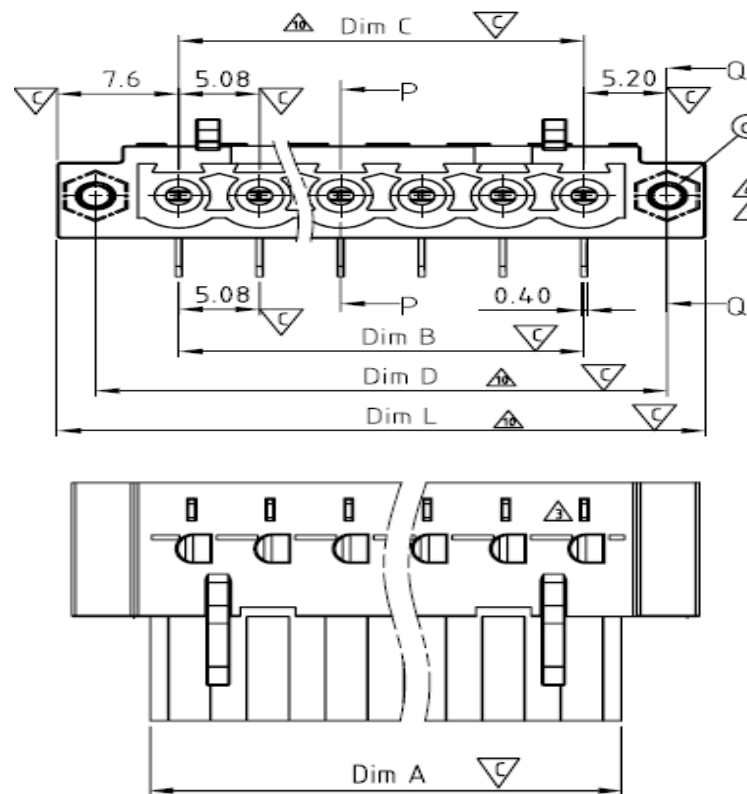
Temperature range -40°C ~ 115°C

### Dimensions

Pitch 5,08mm  
Poles 2P - 24P

### Material

Housing Thermoplastic UL94V-0  
Pin header PhBz Tin Plated



### Screwless Terminal Block

Part No.: **A14M086**

Customer:

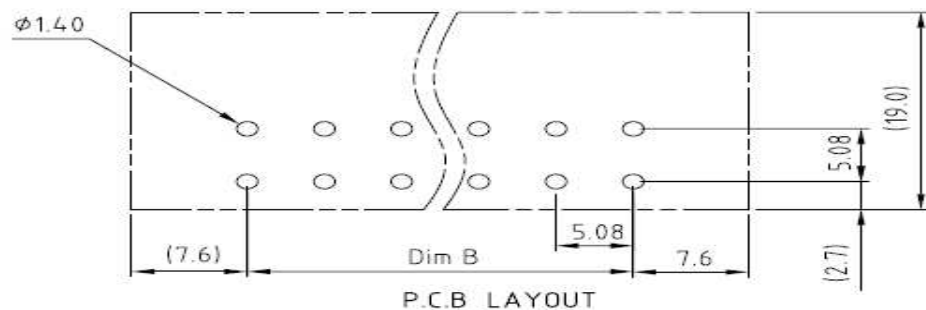
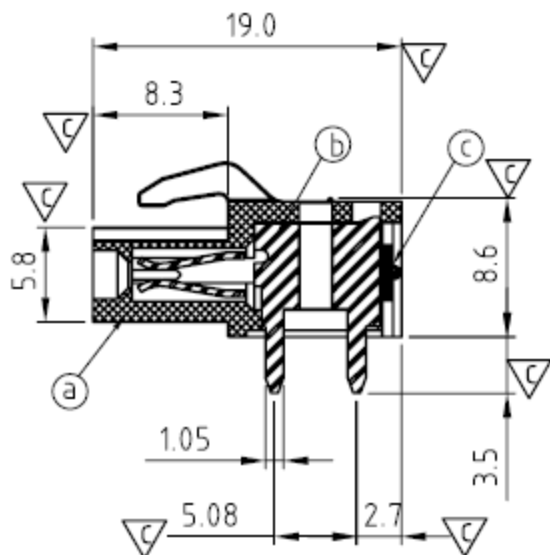
DRW:	Jason	CHKD	Wilson	MATL:	Wilson	TOLERANCE	Mason	DATE	17.02.2014
APPD:	Schumi			FINISH	Jamy		Sheet No.	1 from 4	

# EDCON-COMPONENTS



Drawing (Dimension in mm)

Dimensions (mm)



No. of Pos.	A	Tol. P	B	Tol. P
02	10,16	± 0,30	5,08	± 0,30
03	15,24	± 0,30	10,16	± 0,30
04	20,32	± 0,30	15,24	± 0,30
05	25,40	± 0,30	20,32	± 0,30
06	30,48	± 0,30	25,40	± 0,30
07	35,56	± 0,30	30,48	± 0,30
08	40,64	± 0,30	35,56	± 0,30
09	45,72	± 0,30	40,64	± 0,30
10	50,80	± 0,30	45,72	± 0,30
11	55,88	± 0,30	50,80	± 0,30
12	60,96	± 0,30	55,88	± 0,30
13	66,04	± 0,30	60,96	± 0,30
14	71,12	± 0,30	66,04	± 0,30
15	76,20	± 0,30	71,12	± 0,30
16	81,28	± 0,30	76,20	± 0,30
17	86,36	± 0,30	81,28	± 0,30
18	91,44	± 0,30	86,36	± 0,30
19	96,52	± 0,30	91,44	± 0,30
20	101,60	± 0,30	96,52	± 0,30
21	106,68	± 0,30	101,60	± 0,30
22	111,76	± 0,30	106,68	± 0,30
23	116,84	± 0,30	111,76	± 0,30
24	121,92	± 0,30	116,84	± 0,30

## Screwless Terminal Block

Part No.: **A14M086**

DRW:	Jason	CHKD	Wilson	MATL:	Wilson	TOLERANCE	Mason	DATE	17.02.2014	Customer:
APPD:	Schumi			FINISH	Jamy		Sheet No.	2 from 4		

# EDCON-COMPONENTS



## Ordering Informations

Serie	No. of Pos.	Body Color	Approval	Approval Code	ROHS	Packing	EDCON Cust. No.	Customer Version		
<b>A14M086</b>	<b>02</b>	<b>GN</b>	<b>N</b>	<b>N</b>	<b>R</b>	<b>B</b>				

Pitch:  
5,08

<b>02=</b> Number of Pos.	<b>GY=</b> Gray (Standard)	<b>N=</b> No Approval	<b>N=</b> NON Approval	<b>R=</b> ROHS Conform	<b>B=</b> Standard Package	<b>xxxxxx=</b> Customer Number	<b>xxx=</b> Customer Version ??(Printing)
Standard 2 ~ 24Pos.		<b>1=</b> Approval for Material	<b>A=</b> UL /UR Approval Please consult EDCON for available	<b>N=</b> NON ROHS Conform	<b>I=</b> Individual Package		
	<b>GN=</b> Green	<b>2=</b> Approval for Terminal Block					
			<b>B=</b> VDE Approval Please consult EDCON for available				
	<b>OR=</b> Orange						
	<b>BK=</b> Black		<b>C=</b> TÜV Approval Please consult EDCON for available				

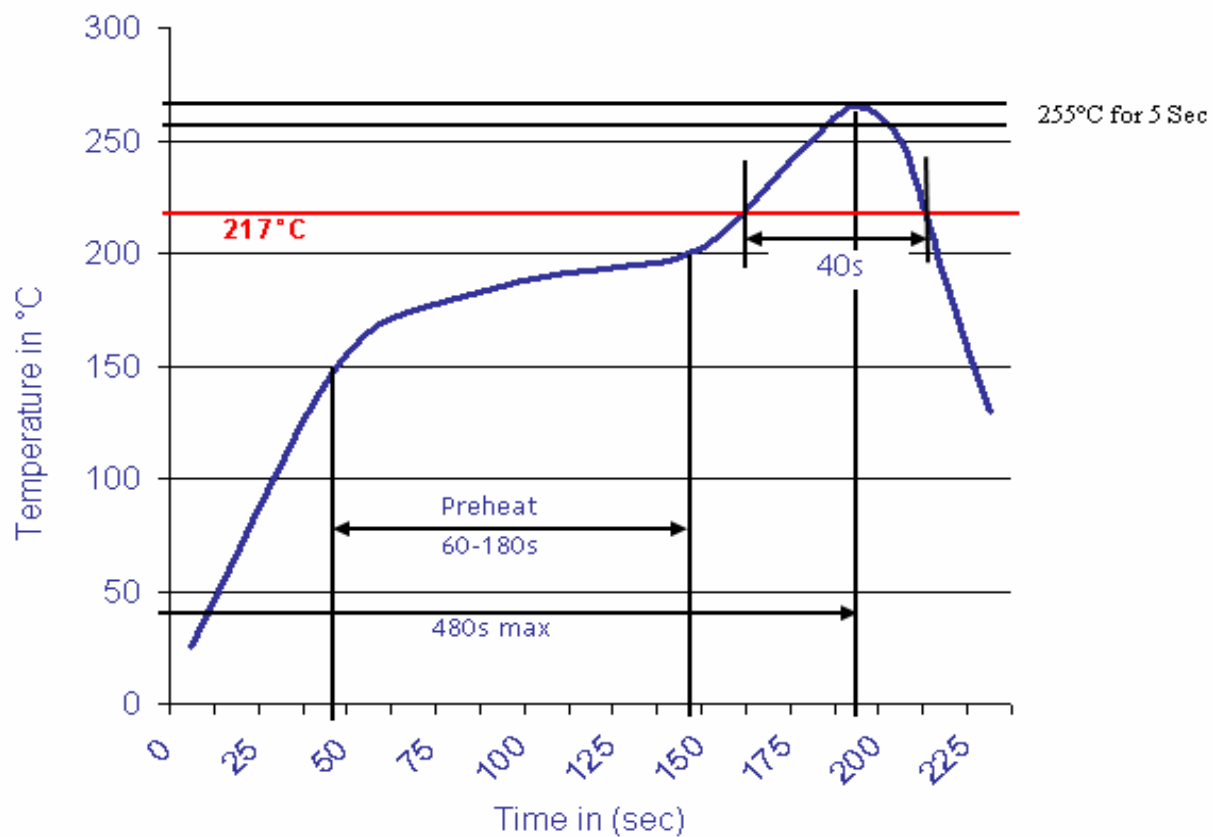
<b>Screwless Terminal Block</b>	
Part No.:	<b>A14M086</b>
Customer:	

DRW:	Jason	CHKD	Wilson	MATL:	Wilson	TOLERANCE	Mason	DATE	17.02.2014
APPD:	Schumi			FINISH	Jamy			Sheet No.	3 from 4



Soldering Profile Curve

Classification Reflow Profile (JEDEC J-STD-020C)



**Screwless Terminal Block**

Part No.: **A14M086**

Customer:

DRW:	Jason	CHKD	Wilson	MATL:	Wilson	TOLERANCE	Mason	DATE	17.02.2014
APPD:	Schumi			FINISH	Jamy		Sheet No.	4 from 4	



