

# Data Sheet

## Screwless Terminal Block

**Pitch: 5,08 mm**

**Serie: A14M085**

### Customer Information for special Item

**EDCON Customer : 0**

**Customer Version No. : 0**

# EDCON-COMPONENTS



## Technical Discription

## Drawing (Dimension in mm)

### Electrical

Rated voltage 300V  
 Rated current 20A

### Mechanical

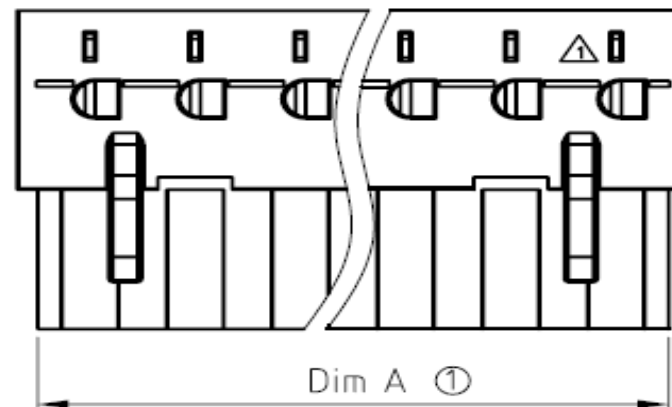
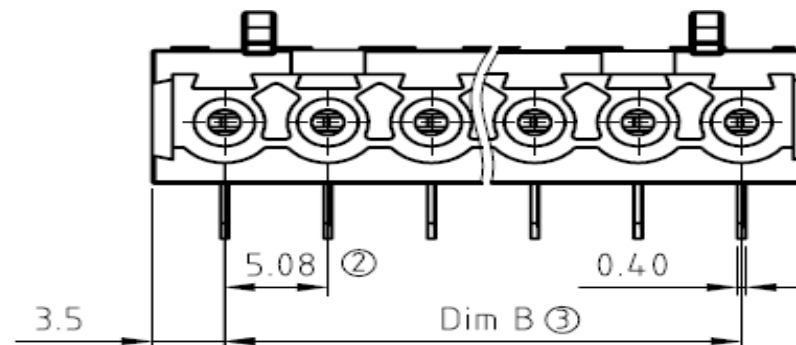
Withstanding voltage 1,6kv  
 Temperature range -40°C ~ 115°C

### Dimensions

Pitch 5,08mm  
 Poles 2P - 24P

### Material

Housing Thermoplastic UL94V-0  
 Pin header PhBz Tin Plated



### Screwless Terminal Block

Part No.: **A14M085**

Customer:

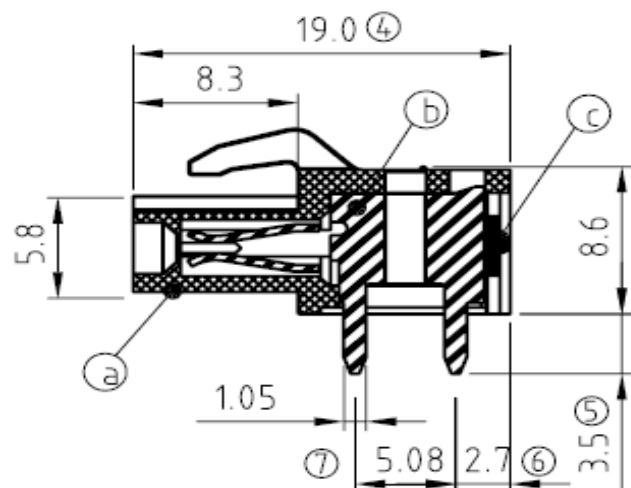
DRW:	Jason	CHKD	Wilson	MATL:	Wilson	TOLERANCE	Mason	DATE	17.02.2014
APPD:	Schumi			FINISH	Jamy		Sheet No.	1 from 4	

# EDCON-COMPONENTS

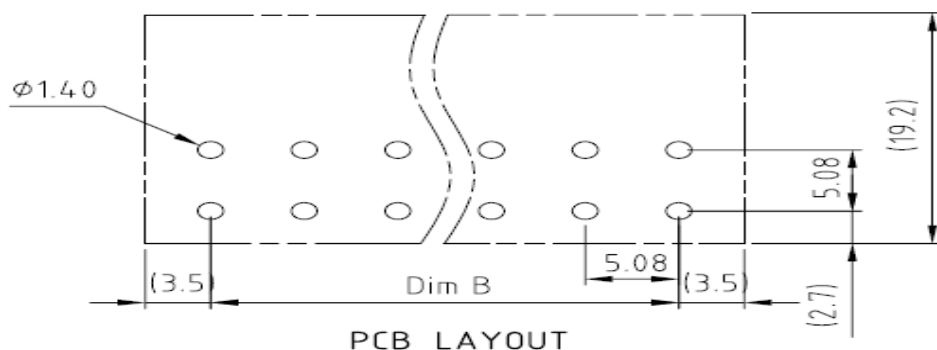


Drawing (Dimension in mm)

Dimensions (mm)



No. of Pos.	A	Tol. P	B	Tol. P
02	10,16	± 0,20	5,08	± 0,25
03	15,24	± 0,20	10,16	± 0,25
04	20,32	± 0,20	15,24	± 0,25
05	25,40	± 0,20	20,32	± 0,25
06	30,48	± 0,20	25,40	± 0,25
07	35,56	± 0,20	30,48	± 0,25
08	40,64	± 0,20	35,56	± 0,25
09	45,72	± 0,20	40,64	± 0,25
10	50,80	± 0,20	45,72	± 0,25
11	55,88	± 0,20	50,80	± 0,25
12	60,96	± 0,20	55,88	± 0,25
13	66,04	± 0,20	60,96	± 0,25
14	71,12	± 0,20	66,04	± 0,25
15	76,20	± 0,20	71,12	± 0,25
16	81,28	± 0,20	76,20	± 0,25
17	86,36	± 0,20	81,28	± 0,25
18	91,44	± 0,20	86,36	± 0,25
19	96,52	± 0,20	91,44	± 0,25
20	101,60	± 0,20	96,52	± 0,25
21	106,68	± 0,20	101,60	± 0,25
22	111,76	± 0,20	106,68	± 0,25
23	116,84	± 0,20	111,76	± 0,25
24	121,92	± 0,20	116,84	± 0,25



## Screwless Terminal Block

Part No.: **A14M085**

DRW:	Jason	CHKD	Wilson	MATL:	Wilson	TOLERANCE	Mason	DATE	17.02.2014	Customer:
APPD:	Schumi			FINISH	Jamy		Sheet No.	2 from 4		

# EDCON-COMPONENTS



## Ordering Informations

Serie	No. of Pos.	Body Color	Approval	Approval Code	ROHS	Packing	EDCON Cust. No.	Customer Version		
<b>A14M085</b>	<b>02</b>	<b>GN</b>	<b>N</b>	<b>N</b>	<b>R</b>	<b>B</b>				

Pitch:  
5,08

02= Number of Pos. Standard 2 ~ 24Pos.	GY= Gray (Standard)	N= No Approval	N= NON Approval	R= ROHS Conform	B= Standard Package	xxxxxx= Customer Number	xxx= Customer Version ??(Printing)
	GN= Green	1= Approval for Material	A= UL /UR Approval Please consult EDCON for available	N= NON ROHS Conform	I= Individual Package		
	OR= Orange	2= Approval for Terminal Block	B= VDE Approval Please consult EDCON for available				
	BK= Black		C= TÜV Approval Please consult EDCON for available				

**Screwless Terminal Block**

Part No.: **A14M085**

DRW:	Jason	CHKD	Wilson	MATL:	Wilson	TOLERANCE	Mason	DATE	17.02.2014
APPD:	Schumi			FINISH	Jamy			Sheet No.	3 from 4

Customer:



Soldering Profile Curve

Classification Reflow Profile (JEDEC J-STD-020C)



**Screwless Terminal Block**

Part No.: **A14M085**

Customer:

DRW:	Jason	CHKD	Wilson	MATL:	Wilson	TOLERANCE	Mason	DATE	17.02.2014
APPD:	Schumi			FINISH	Jamy		Sheet No.	4 from 4	



