

# Data Sheet

## Pluggable Terminal Block (Plug)

**Pitch: 5,00 mm**

**Serie: A14L145**

### Customer Information for special Item

**EDCON Customer : 0**

**Customer Version No. : 0**

# EDCON-COMPONENTS



## Technical Discription

## Drawing (Dimension in mm)

### Approvals

UR/US

### Electrical

Rated Voltage	300V
Rated Current	20A
Wire Range	0,34~2,5mm <sup>2</sup>
Solid Wire	12 ~ 22
Standed Wire	12 ~ 22
Withstanding Voltage	1,6KV
Insulation Resistance	5000MΩ / 1000V

### Mechanical

Operating Temperature	-40°C ~ +115°C
Wire Strip Length	7-8mm
Screw Torque	4 LB-In
Screw Size	M3

### Dimensions

Pitch (mm)	5,00
Poles	2 ~ 24 Pos.

### Materials

Terminal Housing	Thermoplastic, UL94V-0
Clamp	Brass Ni-plated
Female Contact	Phosphor Bronze tin-plated
Screw	Steel Ni-plated / Zinc plated

No. of Pos.	A	B			Tol. B
02	10,08	5,00			± 0,10
03	15,08	10,00			± 0,10
04	20,08	15,00			± 0,10
05	25,08	20,00			± 0,10
06	30,08	25,00			± 0,10
07	35,08	30,00			± 0,20
08	40,08	35,00			± 0,20
09	45,08	40,00			± 0,20
10	50,08	45,00			± 0,20
11	55,08	50,00			± 0,20
12	60,08	55,00			± 0,20
13	65,08	60,00			± 0,30
14	70,08	65,00			± 0,30
15	75,08	70,00			± 0,30
16	80,08	75,00			± 0,30
17	85,08	80,00			± 0,30
18	90,08	85,00			± 0,30
19	95,08	90,00			± 0,40
20	100,08	95,00			± 0,40
21	105,08	100,00			± 0,40
22	110,08	105,00			± 0,40
23	115,08	110,00			± 0,40
24	120,08	115,00			± 0,40

### Pluggable Terminal Block (Plug)

Part No.: **A14L145**

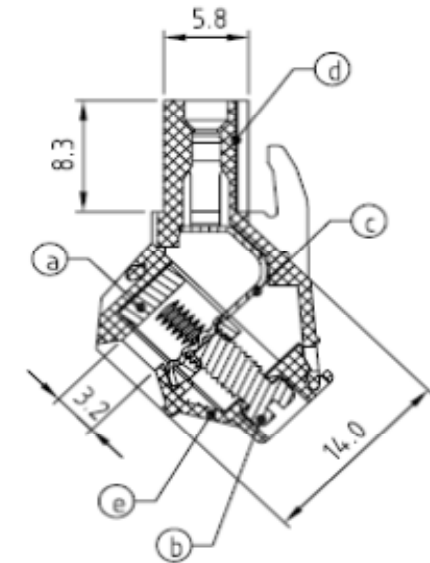
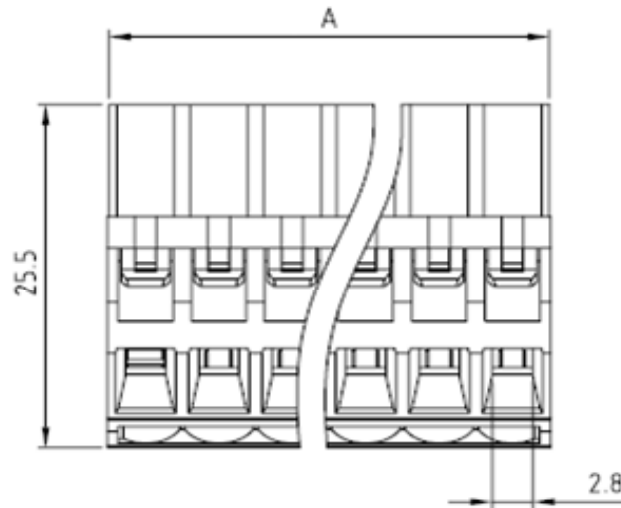
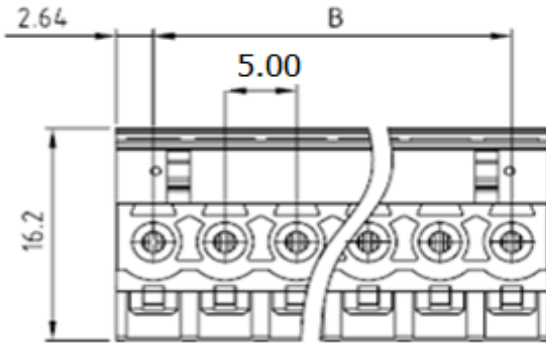
Customer:

DRW:	Jason	CHKD	Wilson	MATL:	Wilson	TOLERANCE	Mason	DATE	09.03.2021
APPD:	Schumi			FINISH	Jamy		Sheet No.		1 from 3

# EDCON-COMPONENTS



## Drawing (Dimension in mm)



### Pluggable Terminal Block (Plug)

Part No.: **A14L145**

Customer:

DRW:	Jason	CHKD	Wilson	MATL:	Wilson	TOLERANCE	Mason	DATE	09.03.2021
APPD:	Schumi			FINISH	Jamy		Sheet No.	2	from 3

[www.edcon-components.com](http://www.edcon-components.com)

email: [info@edcon-components.com](mailto:info@edcon-components.com)

# EDCON-COMPONENTS





## Ordering Informations

Serie	No. of Pos.	Body Color	Screw Type	Approval Code	ROHS	Packing	EDCON Cust. No.	Customer Version		
-------	-------------	------------	------------	---------------	------	---------	-----------------	------------------	--	--

<b>A14L145</b>	<b>02</b>	<b>PG</b>	<b>A</b>	<b>N</b>	<b>R</b>	<b>B</b>				
----------------	-----------	-----------	----------	----------	----------	----------	--	--	--	--

Pitch  
5,00

<b>02</b> = Number of Pos.  Standard 2 ~ 24Pos.	<b>PG</b> = Phoenix Green (Standard)	<b>A</b> = Slotted Screw Type (Standard) 	<b>N</b> = NON Approval	<b>R</b> = ROHS Conform	<b>B</b> = Bulk-Ware  <b>I</b> = Individual Package	<b>xxxxxx</b> = Customer Number	<b>xxx</b> = Customer Version ??(Printing)
	<b>WH</b> = White		<b>A</b> = UL /UR Approval Please consult EDCON for available	<b>N</b> = NON ROHS Conform			
	<b>GN</b> = Green	<b>B</b> = Cross Slotted Screw Type 	<b>B</b> = VDE Approval Please consult EDCON for available	<b>C</b> = TÜV Approval Please consult EDCON for available			
	<b>GY</b> = Gray						
	<b>LG</b> = Light Gray						
	<b>OR</b> = Orange						
	<b>BL</b> = Blue						
<b>BK</b> = Black							

<b>Pluggable Terminal Block (Plug)</b>	
Part No.:	<b>A14L145</b>
Customer:	

DRW:	Jason	CHKD	Wilson	MATL:	Wilson	TOLERANCE	Mason	DATE	09.03.2021
APPD:	Schumi			FINISH	Jamy		Sheet No.		3 from 3