

Data Sheet

Pluggable Terminal Block (Header) 1,0mm/1,3mm

Pitch: 5,00 mm

Serie: A14L099

Customer Information for special Item

EDCON Customer : 0

Customer Version No. : 0

EDCON-COMPONENTS



Technical Discription

Drawing (Dimension in mm)

Electrical

Rated Voltage 300Volt
Rated Current 15A

Withstanding Voltage 2,5KV
Insulation Resistance 5000MQ / 1000V

Mechanical

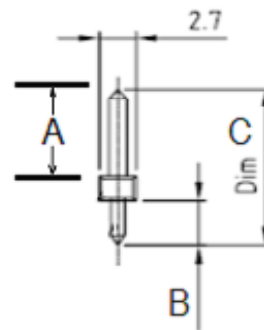
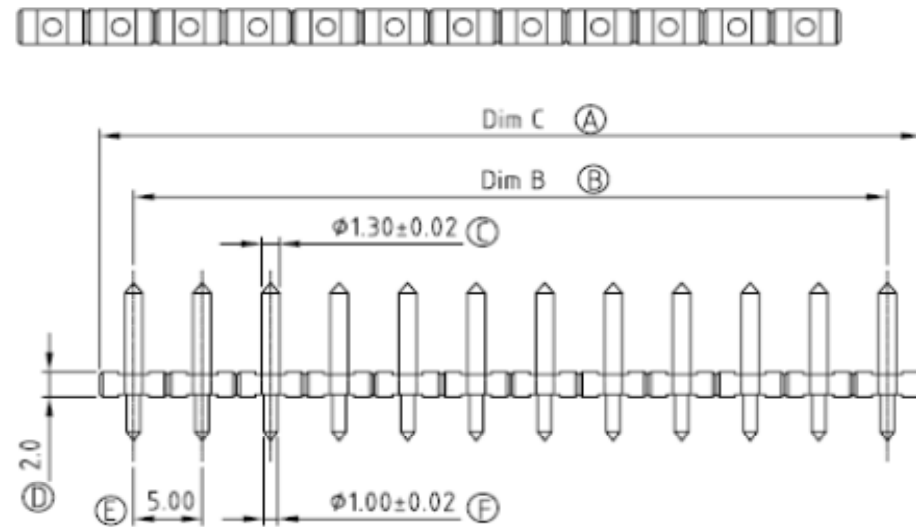
Operating Temperature -40°C ~ +115°C

Dimensions

Pitch (mm) 5,00
Poles 2 ~ 24 Pos.

Materials

Terminal Housing Thermoplastic, UL94V-0
Pin Header Brass Tin Plated



Dimension (mm)			Order Code
A	B	C	
6,40	3,90	12,00	A
12,10	3,90	18,00	B
10,30	3,90	16,20	C

Pluggable Terminal Block (Header) 1,0mm/1,3mm

Part No.: **A14L099**

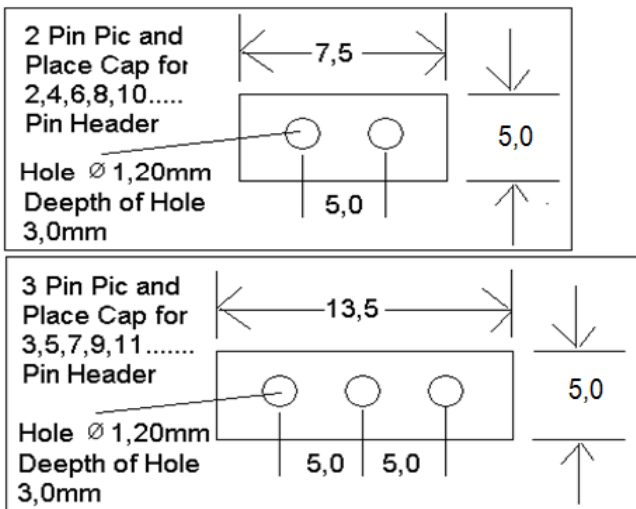
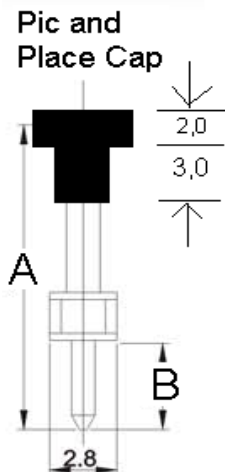
DRW:	Jason	CHKD	Wilson	MATL:	Wilson	TOLERANCE	Mason	DATE	29.05.2020	Customer:
APPD:	Schumi			FINISH	Jamy		Sheet No.	1 from 4		

EDCON-COMPONENTS



PCB Layout

Dimensions (mm)



No. of Pos.	A	Tol. A	B	Tol. B
02	10,00	$\pm 0,15$	5,00	$\pm 0,15$
03	15,00	$\pm 0,15$	10,00	$\pm 0,15$
04	20,00	$\pm 0,15$	15,00	$\pm 0,15$
05	25,00	$\pm 0,15$	20,00	$\pm 0,15$
06	30,00	$\pm 0,15$	25,00	$\pm 0,15$
07	35,00	$\pm 0,20$	30,00	$\pm 0,20$
08	40,00	$\pm 0,20$	35,00	$\pm 0,20$
09	45,00	$\pm 0,20$	40,00	$\pm 0,20$
10	50,00	$\pm 0,20$	45,00	$\pm 0,20$
11	55,00	$\pm 0,20$	50,00	$\pm 0,20$
12	60,00	$\pm 0,20$	55,00	$\pm 0,20$
13	65,00	$\pm 0,25$	60,00	$\pm 0,25$
14	70,00	$\pm 0,25$	65,00	$\pm 0,25$
15	75,00	$\pm 0,25$	70,00	$\pm 0,25$
16	80,00	$\pm 0,25$	75,00	$\pm 0,25$
17	85,00	$\pm 0,25$	80,00	$\pm 0,25$
18	90,00	$\pm 0,25$	85,00	$\pm 0,25$
19	95,00	$\pm 0,30$	90,00	$\pm 0,30$
20	100,00	$\pm 0,30$	95,00	$\pm 0,30$
21	105,00	$\pm 0,30$	100,00	$\pm 0,30$
22	110,00	$\pm 0,30$	105,00	$\pm 0,30$
23	115,00	$\pm 0,30$	110,00	$\pm 0,30$
24	120,00	$\pm 0,30$	115,00	$\pm 0,30$

Pluggable Terminal Block (Header) 1,0mm/1,3mm

Part No.: **A14L099**

DRW:	Jason	CHKD	Wilson	MATL:	Wilson	TOLERANCE	Mason	DATE	29.05.2020
APPD:	Schumi			FINISH	Jamy		Sheet No.		2 from 4

Customer:

EDCON-COMPONENTS



Ordering Informations

Serie	No. of Pos.	Body Color	Pin Length Code (A)	Approval Code	ROHS	Packing	EDCON Cust. No.	Customer Version		
-------	-------------	------------	---------------------	---------------	------	---------	-----------------	------------------	--	--

A14L099	24	GY	A	N	R	B				
----------------	-----------	-----------	----------	----------	----------	----------	--	--	--	--

Pitch 5,00

24= Number of Pos.	BK= Black	A= 12,0mm Standard	N= NON Approval	R= ROHS Conform	B= Bulk-Ware	xxxxxx= Customer Number	xxx= Customer Version ??(Printing)
Standard 2 ~ 24 Pos.	GY= Gray Standrd	B= 18,0mm Standard	A= UL /UR Approval Please consult EDCON for available	N= NON ROHS Conform	I= Individual Package		
Other Position on Request Please consult EDCON		C= 16,2mm Standard	B= VDE Approval Please consult EDCON for available		TR= Tape Reel Packing with PIC and Place Cap		
			C= TÜV Approval Please consult EDCON for available		TC= TUBE Packing with PIC and Place Cap		

Pluggable Terminal Block (Header) 1,0mm/1,3mm
Part No.: A14L099
Customer:

DRW:	Jason	CHKD	Wilson	MATL:	Wilson	TOLERANCE	Mason	DATE	29.05.2020
APPD:	Schumi			FINISH	Jamy		Sheet No.		3 from 4

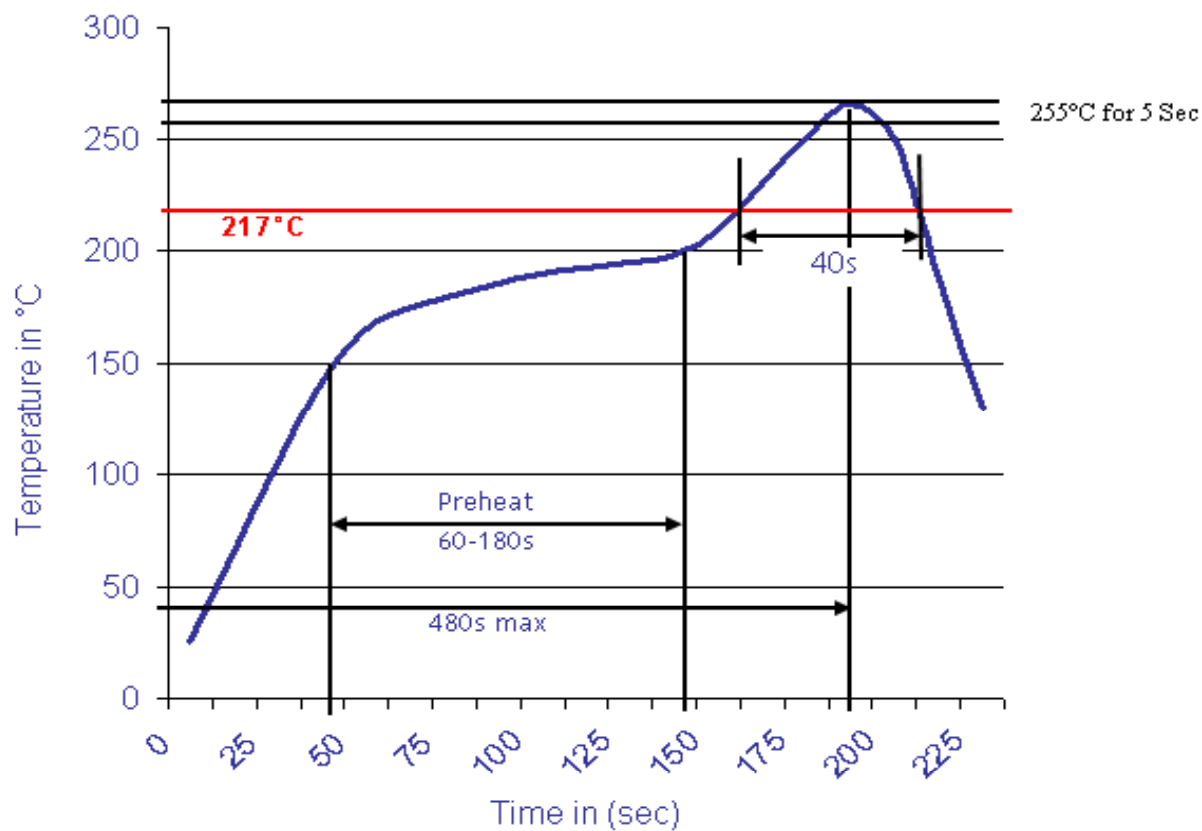
www.edcon-components.com

email: info@edcon-components.com



Soldering Profile Curve

Classification Reflow Profile (JEDEC J-STD-020C)



Pluggable Terminal Block (Header) 1,0mm/1,3mm	
Part No.:	A14L099
Customer:	

DRW:	Jason	CHKD	Wilson	MATL:	Wilson	TOLERANCE	Mason	DATE	29.05.2020
APPD:	Schumi			FINISH	Jamy		Sheet No.	4 from 4	