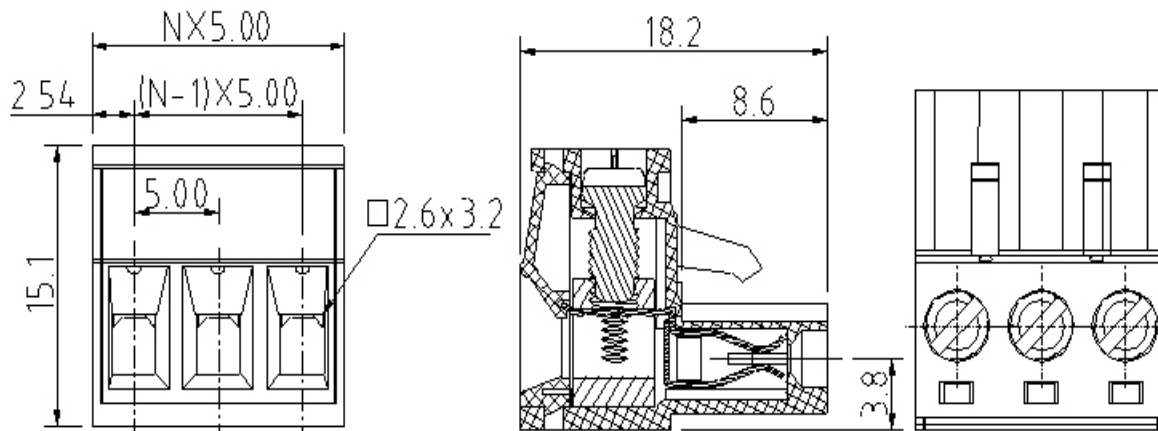


EDCON-COMPONENTS



Drawing



P.C.B. Layout

Specification

APPROVAL			
Electrical			
Standard	UL	IEC	TÜV
Rated voltage	300V	300V	300V
Rated current	20A	20A	20A
Wire range	24-12 AWG	2.5mm ²	2.5mm ²
Withstanding voltage	1.6KV	2.5KV	2.5KV
Mechanical			
Ambient temperature		-40°C ~ +115°C	
Strip length		7~8mm	
Screw, Torque		M3, 0.5Nm (5Lb-In.)	
Dimensions			
Pitch		5.00mm	
Poles		2P - 24P	
Material			
Housing		Thermoplastic (UL94V-0)	
Contact		Brass	
Cage		steel Zinc	
Terminal screw		steel, Cr ³⁺ Zn plated	



Certification



Pluggable Terminal Block /
Pitch 5.00mm

Part No.: A14L062

Customer:

DRW:	Bill	CHKD	Lord	MATL:	Jimmy	TOLERANCE	Sam	DATE	14.03.2009
APPD:	Louis			FINISH	Georg			Sheet No.	1 from 3

www.edcon-components.com

email: info@edcon-components.com

EDCON-COMPONENTS



Ordering Informations

Serie	-	No. of Pole	Body-Color	-	Customer Request
A14L062	-	XX	XX	-	X

XX = total	WH - white
02	GN - green
...	GR - gray
24	LG - light gray
	PG - Phoenix Green
	OR - orange
	BL - blue
	BK - black



Certification



Pluggable Terminal Block /
Pitch 5.00mm

Part No.: A14L062

Customer:

DRW:	Bill	CHKD	Lord	MATL:	Jimmy	TOLERANCE	Sam	DATE	14.03.2009
APPD:	Louis			FINISH	Georg		Sheet No.		2 from 3

www.edcon-components.com

email: info@edcon-components.com



Soldering - Profil

Classification Reflow Profile (JEDEC J-STD-020C)



Pluggable Terminal Block /
Pitch 5.00mm

Part No.: A14L062

Customer:

DRW:	Bill	CHKD	Lord	MATL:	Jimmy	TOLERANCE	Sam	DATE	14.03.2009
APPD:	Louis			FINISH	Georg		Sheet No.	3 from 3	