

Data Sheet

Screwless Terminal Block

Pitch: 5,00 mm

Serie: A11L054

Customer Information for special Item

EDCON Customer : 0

Customer Version No. : 0

EDCON-COMPONENTS



Technical Discription

Drawing (Dimension in mm)

Electrical

Rated voltage 300V
Rated current 10A

Mechanical

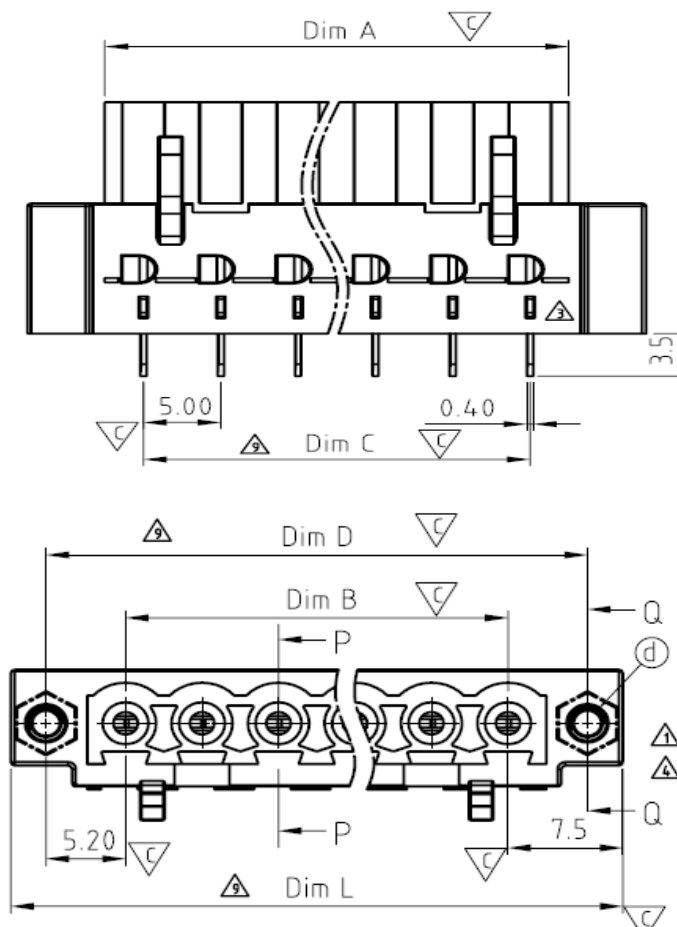
Withstanding voltage 1,6kv
Temperature range -40°C ~ 115°C

Dimensions

Pitch 5,00mm
Poles 2P - 24P

Material

Housing Thermoplastic UL94V-0
Pin header



Screwless Terminal Block

Part No.: **A11L054**

Customer:

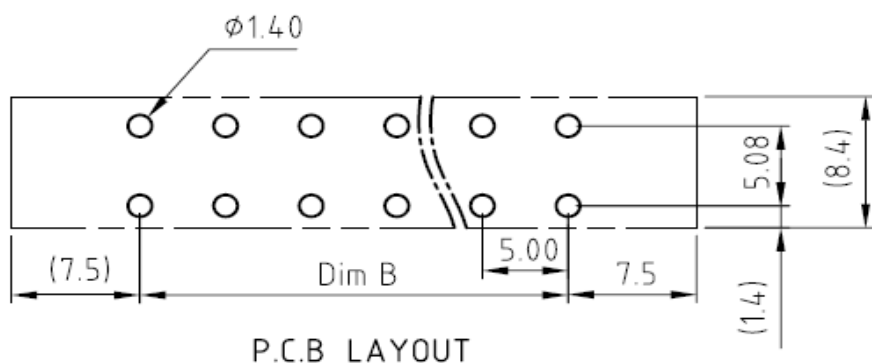
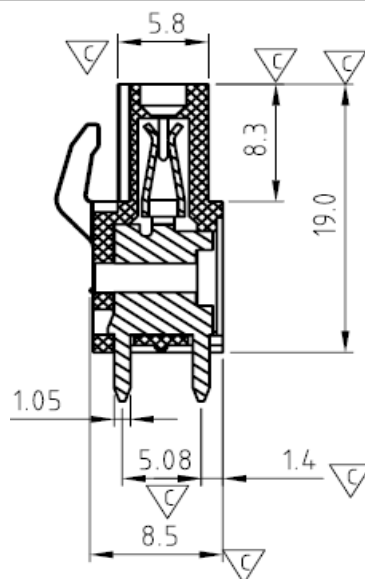
DRW:	Jason	CHKD	Wilson	MATL:	Wilson	TOLERANCE	Mason	DATE	17.02.2014
APPD:	Schumi			FINISH	Jamy		Sheet No.	1 from 4	

EDCON-COMPONENTS



Drawing (Dimension in mm)

Dimensions (mm)



No. of Pos.	A	Tol. P	B	Tol. P
02	10,00	$\pm 0,15$	5,00	$\pm 0,35$
03	15,00	$\pm 0,15$	10,00	$\pm 0,35$
04	20,00	$\pm 0,15$	15,00	$\pm 0,35$
05	25,00	$\pm 0,15$	20,00	$\pm 0,35$
06	30,00	$\pm 0,15$	25,00	$\pm 0,35$
07	35,00	$\pm 0,20$	30,00	$\pm 0,35$
08	40,00	$\pm 0,20$	35,00	$\pm 0,35$
09	45,00	$\pm 0,20$	40,00	$\pm 0,35$
10	50,00	$\pm 0,20$	45,00	$\pm 0,35$
11	55,00	$\pm 0,20$	50,00	$\pm 0,35$
12	60,00	$\pm 0,20$	55,00	$\pm 0,35$
13	65,00	$\pm 0,25$	60,00	$\pm 0,36$
14	70,00	$\pm 0,25$	65,00	$\pm 0,37$
15	75,00	$\pm 0,25$	70,00	$\pm 0,38$
16	80,00	$\pm 0,25$	75,00	$\pm 0,39$
17	85,00	$\pm 0,25$	80,00	$\pm 0,40$
18	90,00	$\pm 0,25$	85,00	$\pm 0,41$
19	95,00	$\pm 0,30$	90,00	$\pm 0,42$
20	100,00	$\pm 0,30$	95,00	$\pm 0,43$
21	105,00	$\pm 0,30$	100,00	$\pm 0,44$
22	110,00	$\pm 0,30$	105,00	$\pm 0,45$
23	115,00	$\pm 0,30$	110,00	$\pm 0,46$
24	120,00	$\pm 0,30$	115,00	$\pm 0,47$

Screwless Terminal Block

Part No.: **A11L054**

Customer:

DRW:	Jason	CHKD	Wilson	MATL:	Wilson	TOLERANCE	Mason	DATE	17.02.2014
APPD:	Schumi			FINISH	Jamy		Sheet No.	2 from 4	

EDCON-COMPONENTS



Ordering Informations

Serie	No. of Pos.	Body Color	Approval	Approval Code	ROHS	Packing	EDCON Cust. No.	Customer Version		
-------	-------------	------------	----------	---------------	------	---------	-----------------	------------------	--	--

A11L054	02	GN	N	N	R	B				
----------------	-----------	-----------	----------	----------	----------	----------	--	--	--	--

Pitch: 5,00	02 = Number of Pos. Standard 2 ~ 24Pos.	GY = Gray (Standard) GN = Green OR = Orange BK = Black	N = No Approval 1 = Approval for Material 2 = Approval for Terminal Block	N = NON Approval A = UL /UR Approval Please consult EDCON for available B = VDE Approval Please consult EDCON for available C = TÜV Approval Please consult EDCON for available	R = ROHS Conform N = NON ROHS Conform	B = Standard Package I = Individual Package	xxxxxx = Customer Number	xxx = Customer Version ??(Printing)		
----------------	---	---	--	--	--	--	---------------------------------	--	--	--

Screwless Terminal Block

Part No.: **A11L054**

DRW:	Jason	CHKD	Wilson	MATL:	Wilson	TOLERANCE	Mason	DATE	17.02.2014
APPD:	Schumi			FINISH	Jamy		Sheet No.		3 from 4

Customer:



Soldering Profile Curve

Classification Reflow Profile (JEDEC J-STD-020C)



Screwless Terminal Block

Part No.: **A11L054**

Customer:

DRW:	Jason	CHKD	Wilson	MATL:	Wilson	TOLERANCE	Mason	DATE	17.02.2014
APPD:	Schumi			FINISH	Jamy		Sheet No.	4 from 4	

