

Data Sheet

Screwless Terminal Block

Pitch: 5,00 mm

Serie: A11L050

Customer Information for special Item

EDCON Customer : 0

Customer Version No. : 0

EDCON-COMPONENTS



Technical Discription

Drawing (Dimension in mm)

Electrical

Rated voltage 300V
Rated current 10A

Mechanical

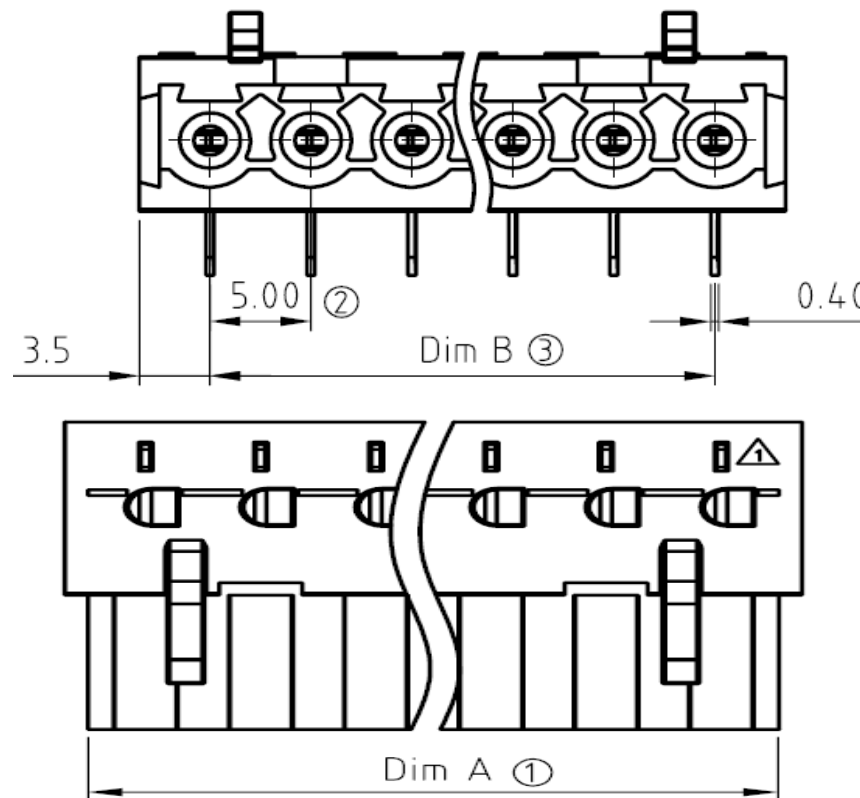
Withstanding voltage 1,6kv
Temperature range -40°C ~ 115°C

Dimensions

Pitch 5,00mm
Poles 2P - 24P

Material

Housing Thermoplastic UL94V-0
Pin header PhBz Tin Plated



Screwless Terminal Block

Part No.: **A11L050**

Customer:

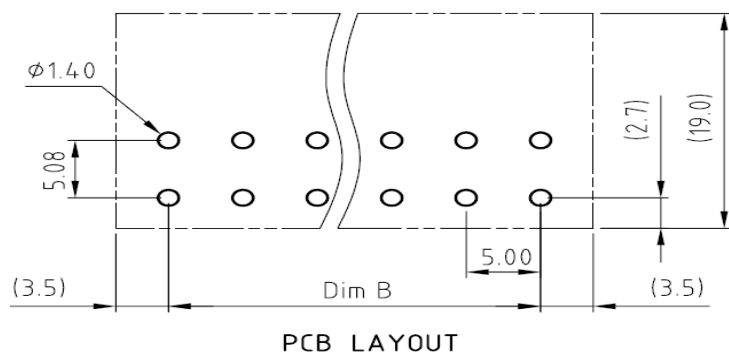
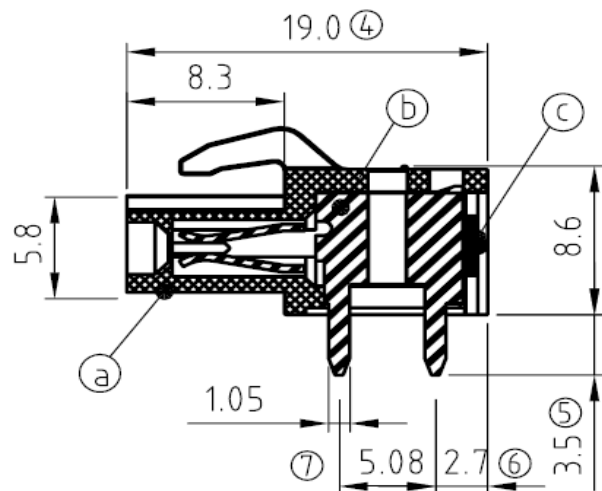
| | | | | | | | | | |
|-------|--------|------|--------|--------|--------|-----------|-----------|----------|------------|
| DRW: | Jason | CHKD | Wilson | MATL: | Wilson | TOLERANCE | Mason | DATE | 17.02.2014 |
| APPD: | Schumi | | | FINISH | Jamy | | Sheet No. | 1 from 4 | |

EDCON-COMPONENTS



Drawing (Dimension in mm)

Dimensions (mm)



| No. of Pos. | A | Tol. P | B | Tol. P |
|-------------|--------|------------|--------|------------|
| 02 | 10,00 | $\pm 0,20$ | 5,00 | $\pm 0,25$ |
| 03 | 15,00 | $\pm 0,20$ | 10,00 | $\pm 0,25$ |
| 04 | 20,00 | $\pm 0,20$ | 15,00 | $\pm 0,25$ |
| 05 | 25,00 | $\pm 0,20$ | 20,00 | $\pm 0,25$ |
| 06 | 30,00 | $\pm 0,20$ | 25,00 | $\pm 0,25$ |
| 07 | 35,00 | $\pm 0,20$ | 30,00 | $\pm 0,25$ |
| 08 | 40,00 | $\pm 0,20$ | 35,00 | $\pm 0,25$ |
| 09 | 45,00 | $\pm 0,20$ | 40,00 | $\pm 0,25$ |
| 10 | 50,00 | $\pm 0,20$ | 45,00 | $\pm 0,25$ |
| 11 | 55,00 | $\pm 0,20$ | 50,00 | $\pm 0,25$ |
| 12 | 60,00 | $\pm 0,20$ | 55,00 | $\pm 0,25$ |
| 13 | 65,00 | $\pm 0,20$ | 60,00 | $\pm 0,25$ |
| 14 | 70,00 | $\pm 0,20$ | 65,00 | $\pm 0,25$ |
| 15 | 75,00 | $\pm 0,20$ | 70,00 | $\pm 0,25$ |
| 16 | 80,00 | $\pm 0,20$ | 75,00 | $\pm 0,25$ |
| 17 | 85,00 | $\pm 0,20$ | 80,00 | $\pm 0,25$ |
| 18 | 90,00 | $\pm 0,20$ | 85,00 | $\pm 0,25$ |
| 19 | 95,00 | $\pm 0,20$ | 90,00 | $\pm 0,25$ |
| 20 | 100,00 | $\pm 0,20$ | 95,00 | $\pm 0,25$ |
| 21 | 105,00 | $\pm 0,20$ | 100,00 | $\pm 0,25$ |
| 22 | 110,00 | $\pm 0,20$ | 105,00 | $\pm 0,25$ |
| 23 | 115,00 | $\pm 0,20$ | 110,00 | $\pm 0,25$ |
| 24 | 120,00 | $\pm 0,20$ | 115,00 | $\pm 0,25$ |

Screwless Terminal Block

Part No.: **A11L050**

Customer:

| | | | | | | | | | |
|-------|--------|------|--------|--------|--------|-----------|-----------|----------|------------|
| DRW: | Jason | CHKD | Wilson | MATL: | Wilson | TOLERANCE | Mason | DATE | 17.02.2014 |
| APPD: | Schumi | | | FINISH | Jamy | | Sheet No. | 2 from 4 | |

EDCON-COMPONENTS



Ordering Informations

| Serie | No. of Pos. | Body Color | Approval | Approval Code | ROHS | Packing | EDCON Cust. No. | Customer Version | | |
|-------|-------------|------------|----------|---------------|------|---------|-----------------|------------------|--|--|
|-------|-------------|------------|----------|---------------|------|---------|-----------------|------------------|--|--|

| | | | | | | | | | | |
|----------------|-----------|-----------|----------|----------|----------|----------|--|--|--|--|
| A11L050 | 02 | GN | N | N | R | B | | | | |
|----------------|-----------|-----------|----------|----------|----------|----------|--|--|--|--|

| | | | | | | | | | | |
|---------------|---|---|--|--|--|--|---------------------------------|--|--|--|
| Pitch 5,00 | 02 = Number of Pos. Standard 2 ~ 24Pos. | GY = Gray (Standard) GN = Green OR = Orange BK = Black | N = No Approval 1 = Approval for Material 2 = Approval for Terminal Block | N = NON Approval A = UL /UR Approval Please consult EDCON for available B = VDE Approval Please consult EDCON for available C = TÜV Approval Please consult EDCON for available | R = ROHS Conform N = NON ROHS Conform | B = Standard Package I = Individual Package | xxxxxx = Customer Number | xxx = Customer Version ??(Printing) | | |
|---------------|---|---|--|--|--|--|---------------------------------|--|--|--|

Screwless Terminal Block

Part No.: **A11L050**

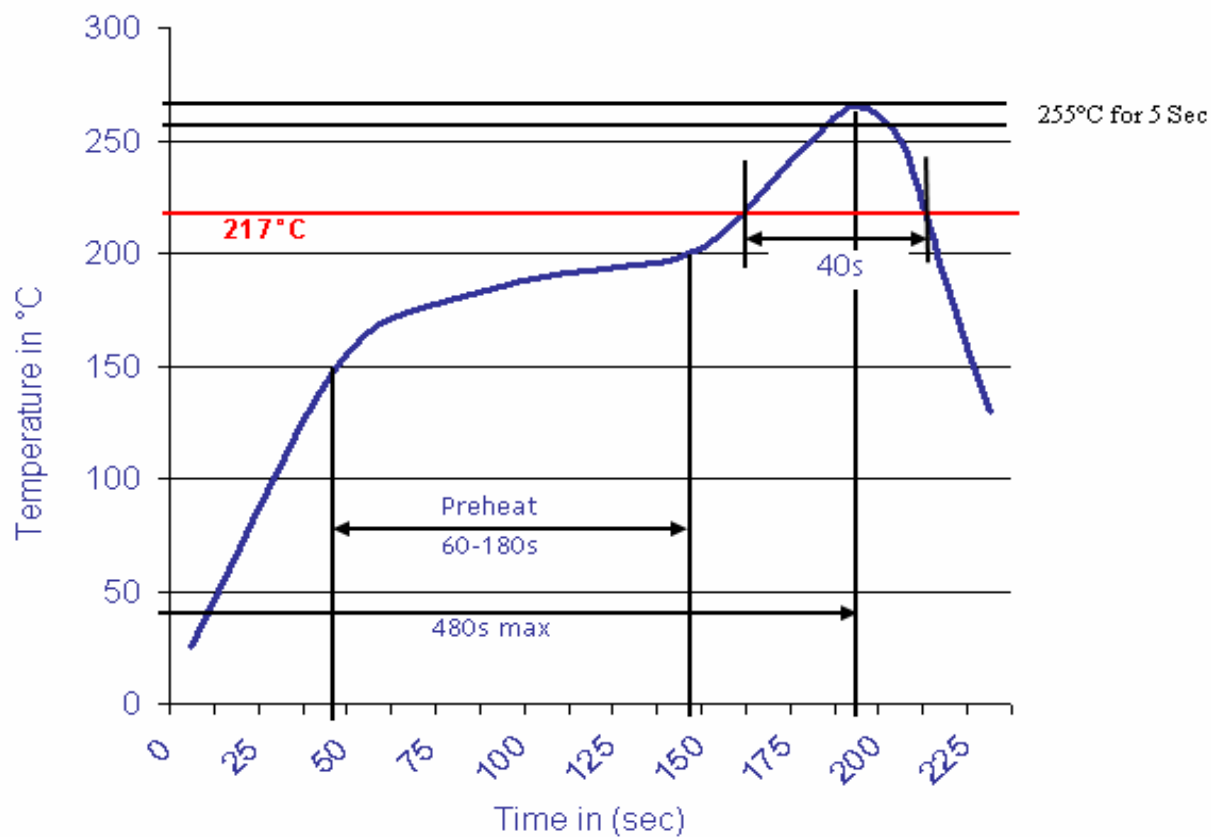
| | | | | | | | | | |
|-------|--------|------|--------|--------|--------|-----------|-----------|------|------------|
| DRW: | Jason | CHKD | Wilson | MATL: | Wilson | TOLERANCE | Mason | DATE | 17.02.2014 |
| APPD: | Schumi | | | FINISH | Jamy | | Sheet No. | | 3 from 4 |

Customer:



Soldering Profile Curve

Classification Reflow Profile (JEDEC J-STD-020C)



Screwless Terminal Block

Part No.: **A11L050**

Customer:

| | | | | | | | | | |
|-------|--------|------|--------|--------|--------|-----------|-----------|----------|------------|
| DRW: | Jason | CHKD | Wilson | MATL: | Wilson | TOLERANCE | Mason | DATE | 17.02.2014 |
| APPD: | Schumi | | | FINISH | Jamy | | Sheet No. | 4 from 4 | |

