

# Data Sheet

## Pluggable Terminal Block (Header) w. Latch

**Pitch: 3,50 mm**

**Serie: A14G117**

### Customer Information for special Item

**EDCON Customer : 0**

**Customer Version No. : 0**

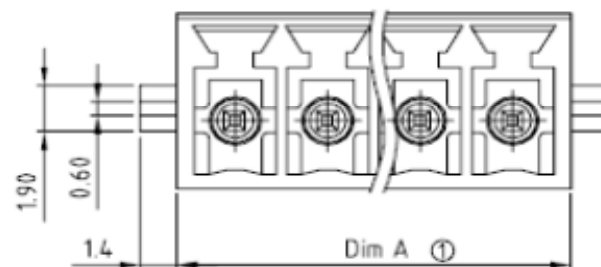
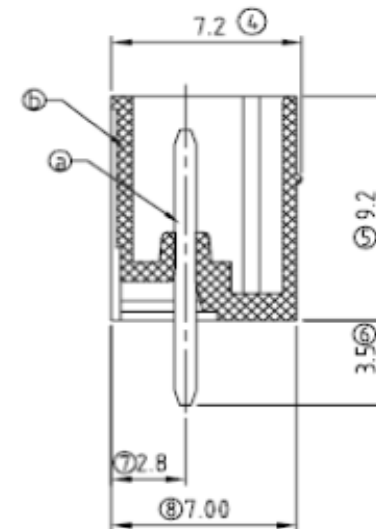
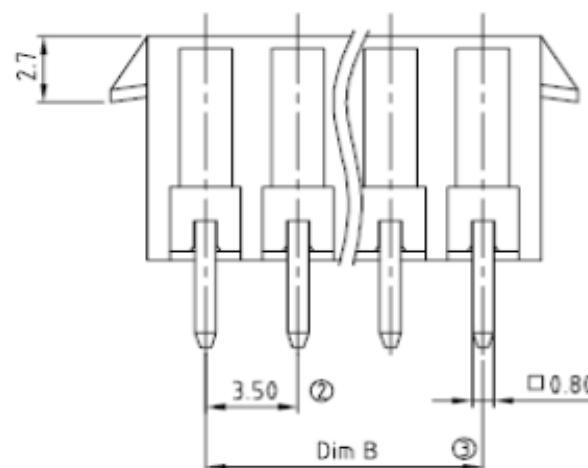
# EDCON-COMPONENTS



## Technical Discription

<b>Electrical</b>	UL	IEC
Rated Voltage	300Volt	300Volt
Rated Current	10A	10,5A
Withstanding Voltage	1,6KV	2,5KV
<b>Mechanical</b>		
Operating Temperature	. -40°C ~ +115°C	
<b>Dimensions</b>		
Pitch (mm)	3,50	
Poles	2 ~ 24 Pos.	
<b>Materials</b>		
Terminal Housing	Thermoplastic, UL94V-0	
Pin Header	Brass Tin Plated	

## Drawing (Dimension in mm)



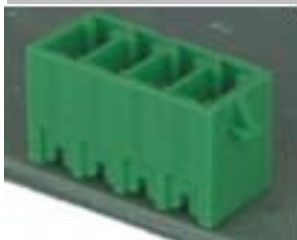
### Pluggable Terminal Block (Header) w. Latch

Part No.: **A14G117**

Customer:

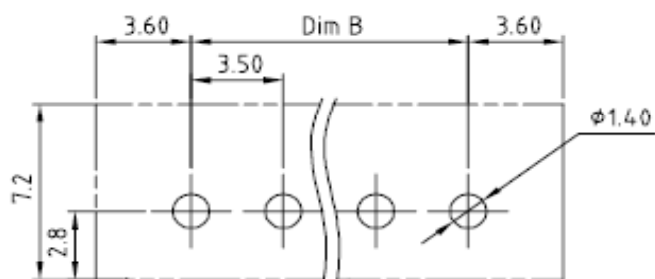
DRW:	Jason	CHKD	Wilson	MATL:	Wilson	TOLERANCE	Mason	DATE	15.03.2017
APPD:	Schumi			FINISH	Jamy		Sheet No.	1 from 4	

# EDCON-COMPONENTS



PCB Layout

Dimensions (mm)



No. of Pos.	A	Tol. A	B	Tol. B
02	7,90	± 0,15	3,50	± 0,15
03	11,40	± 0,15	7,00	± 0,15
04	14,90	± 0,15	10,50	± 0,15
05	18,40	± 0,15	14,00	± 0,15
06	21,90	± 0,15	17,50	± 0,15
07	25,40	± 0,20	21,00	± 0,20
08	28,90	± 0,20	24,50	± 0,20
09	32,40	± 0,20	28,00	± 0,20
10	35,90	± 0,20	31,50	± 0,20
11	39,40	± 0,20	35,00	± 0,20
12	42,90	± 0,20	38,50	± 0,20
13	46,40	± 0,25	42,00	± 0,25
14	49,90	± 0,25	45,50	± 0,25
15	53,40	± 0,25	49,00	± 0,25
16	56,90	± 0,25	52,50	± 0,25
17	60,40	± 0,25	56,00	± 0,25
18	63,90	± 0,25	59,50	± 0,25
19	67,40	± 0,30	63,00	± 0,30
20	70,90	± 0,30	66,50	± 0,30
21	74,40	± 0,30	70,00	± 0,30
22	77,90	± 0,30	73,50	± 0,30
23	81,40	± 0,30	77,00	± 0,30
24	84,90	± 0,30	80,50	± 0,30

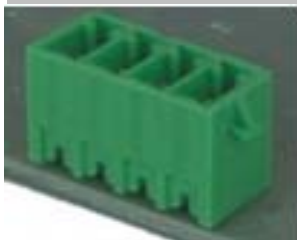
**Pluggable Terminal Block  
(Header) w. Latch**

Part No.: **A14G117**

Customer:

DRW:	Jason	CHKD	Wilson	MATL:	Wilson	TOLERANCE	Mason	DATE	15.03.2017
APPD:	Schumi			FINISH	Jamy		Sheet No.		2 from 4

# EDCON-COMPONENTS



## Ordering Informations

Serie	No. of Pos.	Body Color	No Function	Approval Code	ROHS	Packing	EDCON Cust. No.	Customer Version		
<b>A14G117</b>	<b>02</b>	<b>PG</b>	<b>N</b>	<b>N</b>	<b>R</b>	<b>B</b>				

Pitch  
3,50

<b>02</b> = Number of Pos.	<b>PG</b> = Phoenix Green (Standard)	<b>N</b> = No function	<b>N</b> = NON Approval	<b>R</b> = ROHS Conform	<b>B</b> = Bulk-Ware <b>I</b> = Individual Package	<b>xxxxxx</b> = Customer Number	<b>xxx</b> = Customer Version ??(Printing)
Standard 2 ~ 24 Pos.	<b>WH</b> = White		<b>A</b> = UL /UR Approval Please consult EDCON for available	<b>N</b> = NON ROHS Conform			
Other Position on Request Please consult EDCON	<b>GN</b> = Green	<b>B</b> = VDE Approval Please consult EDCON for available	<b>C</b> = TÜV Approval Please consult EDCON for available				
	<b>GY</b> = Gray						
	<b>LG</b> = Light Gray						
	<b>OR</b> = Orange						
	<b>BL</b> = Blue						
	<b>BK</b> = Black						

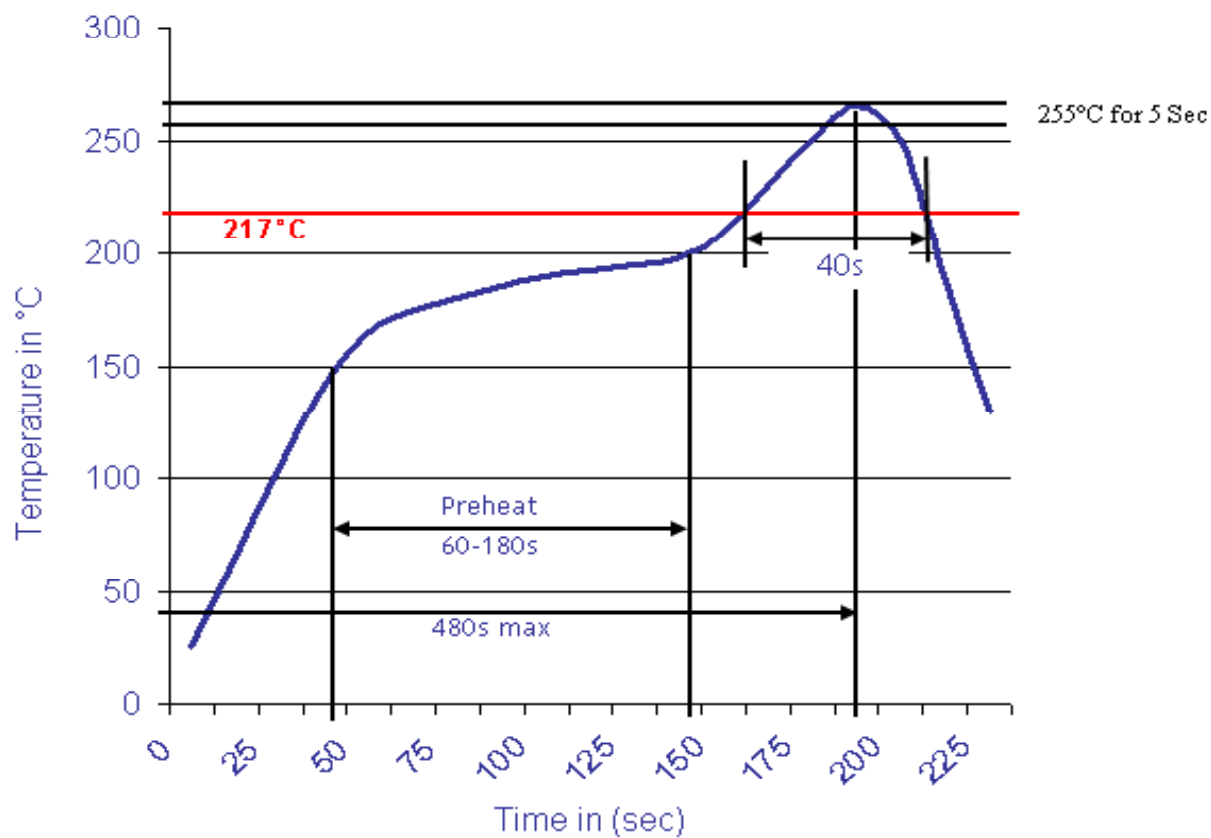
<b>Pluggable Terminal Block (Header) w. Latch</b>	
Part No.:	<b>A14G117</b>
Customer:	

DRW:	Jason	CHKD	Wilson	MATL:	Wilson	TOLERANCE	Mason	DATE	15.03.2017
APPD:	Schumi			FINISH	Jamy			Sheet No.	3 from 4



Soldering Profile Curve

Classification Reflow Profile (JEDEC J-STD-020C)



**Pluggable Terminal Block  
(Header) w. Latch**

Part No.: **A14G117**

Customer:

DRW:	Jason	CHKD	Wilson	MATL:	Wilson	TOLERANCE	Mason	DATE	15.03.2017
APPD:	Schumi			FINISH	Jamy		Sheet No.	4 from 4	