

Data Sheet

Pluggable Terminal Block (Wafer)

Pitch: 2,50 mm

Serie: A14E004

Customer Information for special Item

EDCON Customer : 0

Customer Version No. : 0

EDCON-COMPONENTS



Technical Description

Electrical		
	UL	
Rated Voltage	150V	
Rated Current	4A	
Withstanding Voltage	1,3KV	
Insulation Resistance	5000MΩ / 1000V	
Mechanical		
Operating Temperature	-40°C ~ +115°C	
Dimensions		
Pitch (mm)	2,50	
Poles	2*2 ~ 2*24 Pos.	
Materials		
Terminal Housing	Thermoplastic, UL94V-0	
Pin Header	Copper / Tin Plated	

Drawing (Dimension in mm)

No. of Pos.	L	B			Tol. B
02	6,90	2,50			± 0,10
03	9,40	5,00			± 0,10
04	11,90	7,50			± 0,10
05	14,40	10,00			± 0,10
06	16,90	12,50			± 0,10
07	19,40	15,00			± 0,15
08	21,90	17,50			± 0,15
09	24,40	20,00			± 0,15
10	26,90	22,50			± 0,15
11	29,40	25,00			± 0,15
12	31,90	27,50			± 0,15
13	34,40	30,00			± 0,20
14	36,90	32,50			± 0,20
15	39,40	35,00			± 0,20
16	41,90	37,50			± 0,20
17	58,20	40,00			± 0,20
18	60,70	42,50			± 0,20
19	63,20	45,00			± 0,30
20	65,70	47,50			± 0,30
21	68,20	50,00			± 0,30
22	70,70	52,50			± 0,30
23	73,20	55,00			± 0,30
24	75,70	57,50			± 0,30

Pluggable Terminal Block (Wafer)

Part No.: **A14E004**

Customer:

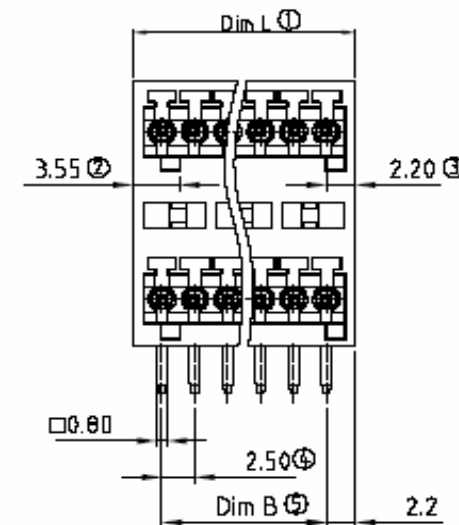
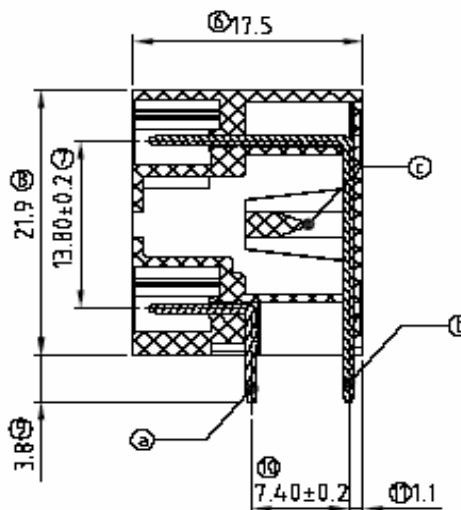
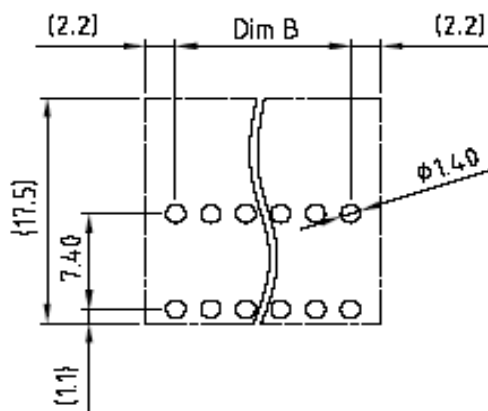
DRW:	Jason	CHKD	Wilson	MATL:	Wilson	TOLERANCE	Mason	DATE	26.05.2012
APPD:	Schumi			FINISH	Jamy		Sheet No.		1 from 4

EDCON-COMPONENTS



PCB Layout

Dimensions (mm)



**Pluggable Terminal Block
(Wafer)**

Part No.: **A14E004**

Customer:

DRW:	Jason	CHKD	Wilson	MATL:	Wilson	TOLERANCE	Mason	DATE	26.05.2012
APPD:	Schumi			FINISH	Jamy		Sheet No.	2 from 4	

EDCON-COMPONENTS



Ordering Informations

Serie	No. of Pos.	Body Color	No Function	Approval Code	ROHS	Packing	EDCON Cust. No.	Customer Version		
-------	-------------	------------	-------------	---------------	------	---------	-----------------	------------------	--	--

A14E004	04	PG	N	N	R	B				
----------------	-----------	-----------	----------	----------	----------	----------	--	--	--	--

Pitch 2,50	04 = 2x02 Number of Pos.	PG = Phoenix Green (Standard)	N = No function	N = NON Approval	R = ROHS Conform	B = Bulk-Ware	xxxxxx = Customer Number	xxx = Customer Version ??(Printing) or anythink else
---------------	---------------------------------------	--	------------------------	----------------------------	----------------------------	----------------------	---------------------------------------	---

Other Position on Request Please consult EDCON	WH = White	A = UL /UR Approval Please consult EDCON for available	N = NON ROHS Conform	I = Individual Package
	GN = Green			
	GY = Gray	B = VDE Approval Please consult EDCON for available		
	LG = Light Gray			
	OR = Orange			
	BL = Blue	C = TÜV Approval Please consult EDCON for available		
	BK = Black			

**Pluggable Terminal Block
(Wafer)**

Part No.: **A14E004**

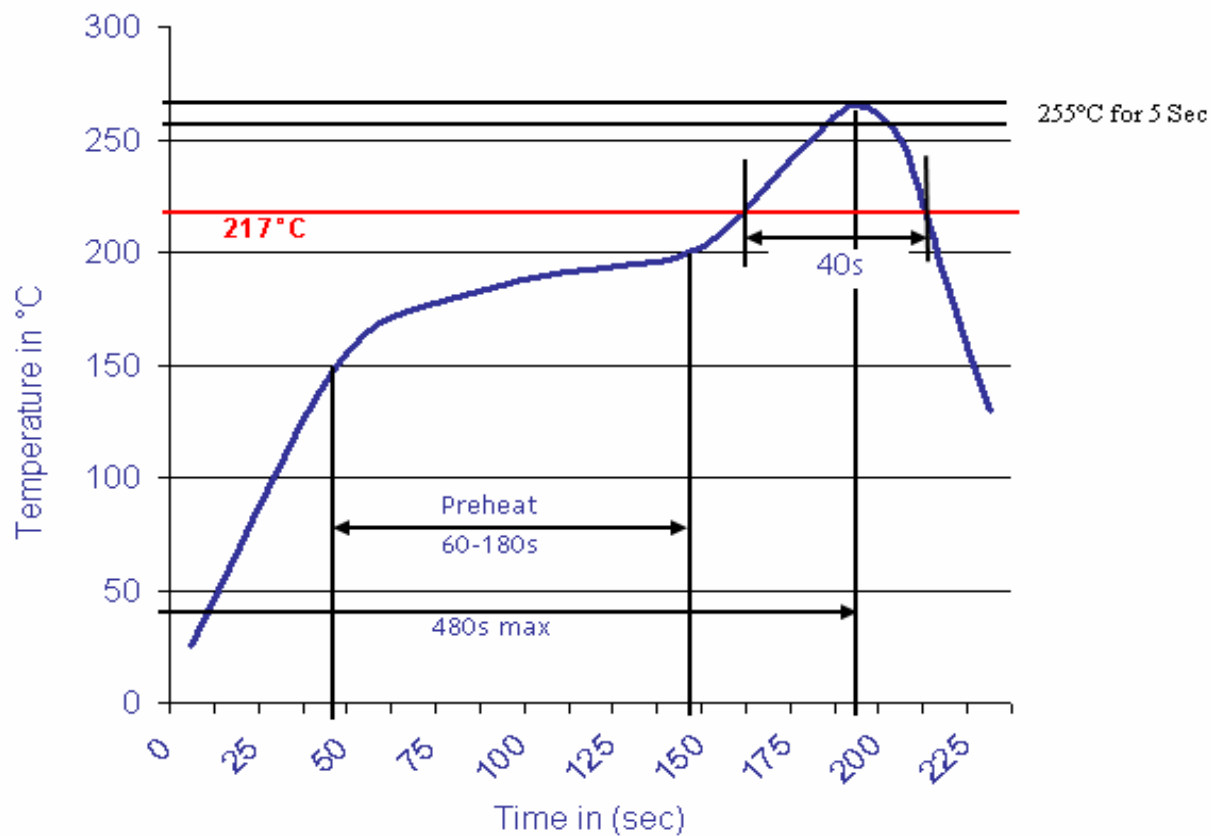
DRW:	Jason	CHKD	Wilson	MATL:	Wilson	TOLERANCE	Mason	DATE	26.05.2012
APPD:	Schumi			FINISH	Jamy			Sheet No.	3 from 4

Customer:



Soldering Profile Curve

Classification Reflow Profile (JEDEC J-STD-020C)



Pluggable Terminal Block (Wafer)

Part No.: **A14E004**
Customer:

DRW:	Jason	CHKD	Wilson	MATL:	Wilson	TOLERANCE	Mason	DATE	26.05.2012
APPD:	Schumi			FINISH	Jamy		Sheet No.	4 from 4	