

Data Sheet

Pluggable Terminal Block (Wafer)

Pitch: 2,50 mm

Serie: A14E001

Customer Information for special Item

EDCON Customer : 0

Customer Version No. : 0

EDCON-COMPONENTS



Technical Description

Electrical

UL
 Rated Voltage 150V
 Rated Current 4A
 Withstanding Voltage 1,3KV

Insulation Resistance 5000MΩ / 1000V

Mechanical

Operating Temperature . -40°C ~ +115°C

Dimensions

Pitch (mm) 2,50
 Poles 2 ~ 24 Pos.

Materials

Terminal Housing Thermoplastic, UL94V-0

Pin Header Copper / Tin Plated

Drawing (Dimension in mm)

No. of Pos.	A	B			Tol. B
02	6,90	2,50			± 0,10
03	9,40	5,00			± 0,10
04	11,90	7,50			± 0,10
05	14,40	10,00			± 0,10
06	16,90	12,50			± 0,10
07	19,40	15,00			± 0,15
08	21,90	17,50			± 0,15
09	24,40	20,00			± 0,15
10	26,90	22,50			± 0,15
11	29,40	25,00			± 0,15
12	31,90	27,50			± 0,15
13	34,40	30,00			± 0,20
14	36,90	32,50			± 0,20
15	39,40	35,00			± 0,20
16	41,90	37,50			± 0,20
17	58,20	40,00			± 0,20
18	60,70	42,50			± 0,20
19	63,20	45,00			± 0,30
20	65,70	47,50			± 0,30
21	68,20	50,00			± 0,30
22	70,70	52,50			± 0,30
23	73,20	55,00			± 0,30
24	75,70	57,50			± 0,30

**Pluggable Terminal Block
(Wafer)**

Part No.: **A14E001**

DRW:	Jason	CHKD	Wilson	MATL:	Wilson	TOLERANCE	Mason	DATE	26.05.2012
APPD:	Schumi			FINISH	Jamy		Sheet No.		1 from 4

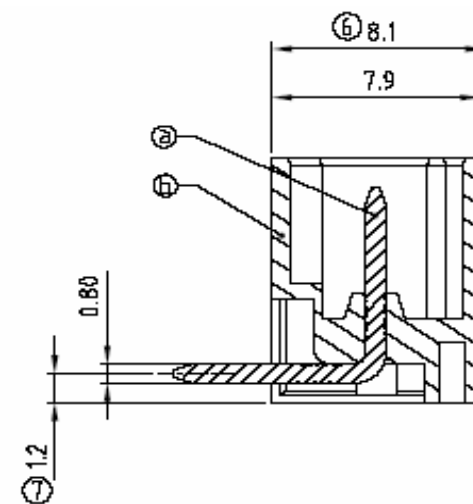
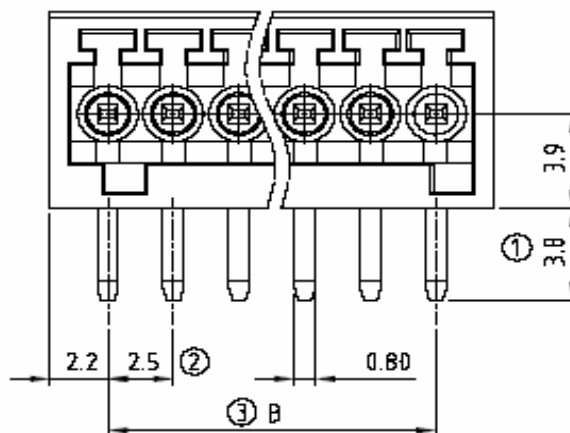
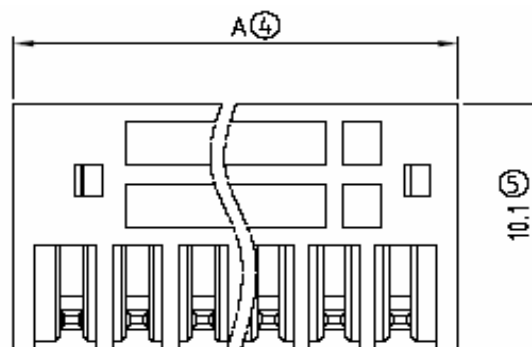
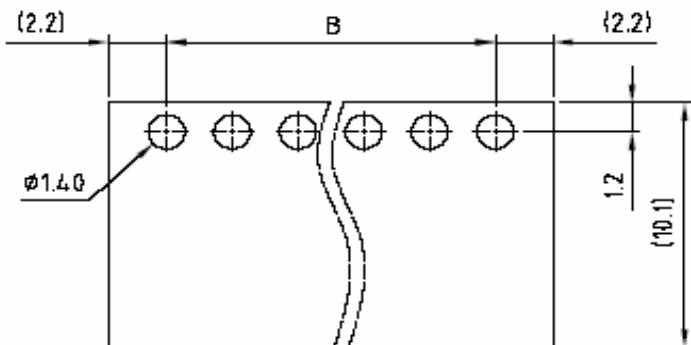
Customer:

EDCON-COMPONENTS



PCB Layout

Dimensions (mm)



**Pluggable Terminal Block
(Wafer)**

Part No.: **A14E001**

Customer:

DRW:	Jason	CHKD	Wilson	MATL:	Wilson	TOLERANCE	Mason	DATE	26.05.2012
APPD:	Schumi			FINISH	Jamy		Sheet No.	2 from 4	

EDCON-COMPONENTS



Ordering Informations

Serie	No. of Pos.	Body Color	No Function	Approval Code	ROHS	Packing	EDCON Cust. No.	Customer Version		
-------	-------------	------------	-------------	---------------	------	---------	-----------------	------------------	--	--

A14E001	02	PG	N	N	R	B				
----------------	-----------	-----------	----------	----------	----------	----------	--	--	--	--

Pitch 2,50	02 = Number of Pos. Standard 2 +3 Pos. Other Position on Request Please consult EDCON	PG = Phoenix Green (Standard) WH = White GN = Green GY = Gray LG = Light Gray OR = Orange BL = Blue BK = Black	N = No function	N = NON Approval A = UL /UR Approval Please consult EDCON for available B = VDE Approval Please consult EDCON for available C = TÜV Approval Please consult EDCON for available	R = ROHS Conform N = NON ROHS Conform	B = Bulk-Ware I = Individual Package	xxxxxx = Customer Number	xxx = Customer Version ??(Printing) or anythink else		
---------------	--	---	------------------------	--	--	---	---------------------------------	--	--	--

Pluggable Terminal Block (Wafer)

Part No.: **A14E001**

DRW:	Jason	CHKD	Wilson	MATL:	Wilson	TOLERANCE	Mason	DATE	26.05.2012
APPD:	Schumi			FINISH	Jamy		Sheet No.		3 from 4

Customer:



Soldering Profile Curve

Classification Reflow Profile (JEDEC J-STD-020C)



**Pluggable Terminal Block
(Wafer)**

Part No.: **A14E001**

Customer:

DRW:	Jason	CHKD	Wilson	MATL:	Wilson	TOLERANCE	Mason	DATE	26.05.2012
APPD:	Schumi			FINISH	Jamy		Sheet No.	4 from 4	