

Data Sheet

Power Elevated Terminal Block

Pitch: 15,00 mm

Serie: A13V001

Customer Information for special Item

EDCON Customer : 0

Customer Version No. : 0

EDCON-COMPONENTS



Technical Discription

Electrical	cULus	IEC
Rated Voltage	600 Volt	1000V
Rated Current	125A	125
Withstanding Voltage	2,2KV	8KV
Wire Range		
Solid Wire	35mm ² / AWG20~2	
Stranged Wire	35mm ² / AWG20~2	
Insulation Resistance	5000MΩ / 1000V	

Mechanical

Operating Temperature	-40°C ~ +115°C
Wire Strip Length	12~15mm

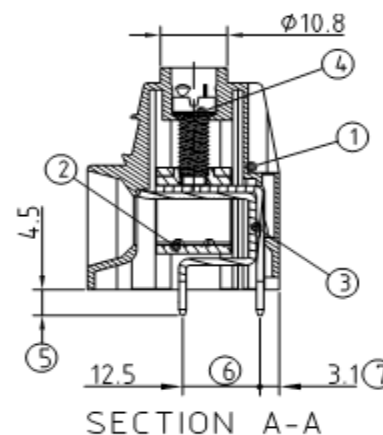
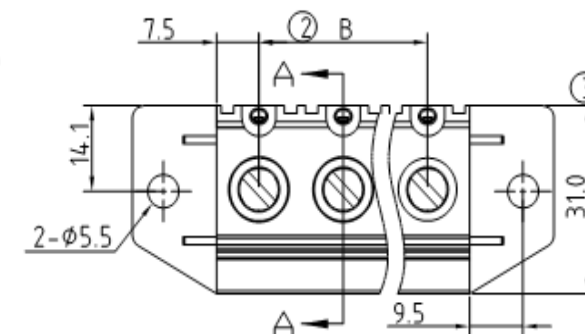
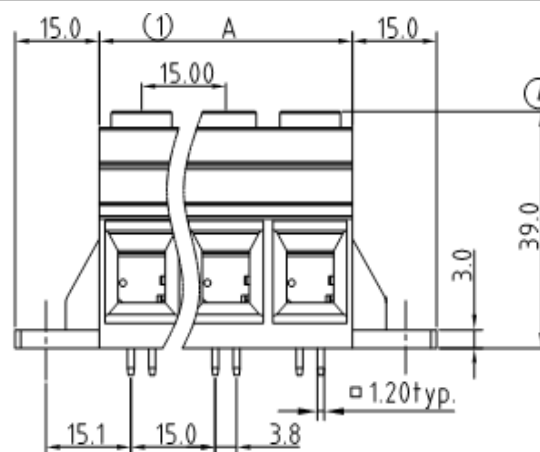
Dimensions

Pitch (mm)	15,00
Poles	2 + 3Pos. ~ 12 Pos.

Materials

1 Terminal Housing	Thermoplastic (UL94V-0)
2 Clamp	Brass Ni, plated
3 Wire guard	Wire guard solder Pin
4 Terminal screw	Steel Zinc plating
5 Terminal Housing Cover	Thermoplastic (UL94V-0)
Torque (lb-In)	36,5

Drawing (Dimension in mm)



Power Elevated Terminal Block

Part No.: **A13V001**

Customer:

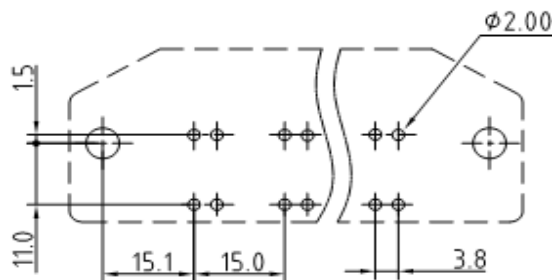
DRW:	Jason	CHKD	Wilson	MATL:	Wilson	TOLERANCE	Mason	DATE	15.10.2015
APPD:	Schumi			FINISH	Jamy		Sheet No.		1 from 4

EDCON-COMPONENTS



PCB Layout

Dimensions (mm)



Power Elevated Terminal Block

Part No.: **A13V001**

DRW:	Jason	CHKD	Wilson	MATL:	Wilson	TOLERANCE	Mason	DATE	15.10.2015
APPD:	Schumi			FINISH	Jamy		Sheet No.	2 from 4	

Customer:



EDCON-COMPONENTS



Ordering Informations

Serie	No. of Pos.	Body Color	No Function	Approval Code	ROHS	Packing	EDCON Cust. No.	Customer Version		
-------	-------------	------------	-------------	---------------	------	---------	-----------------	------------------	--	--

A13V001	02	PG	A	N	R	B				
----------------	-----------	-----------	----------	----------	----------	----------	--	--	--	--

Pitch 15,00	02 = Number of Pos. Standard 2 + 3Pos- ~ 24Pos.	PG = Phoenix Green (Standard) WH = White GN = Green GY = Gray LG = Light Gray OR = Orange BL = Blue BK = Black	A = Slotted Screw Type (Standard)  B = Cross Slotted Screw Type 	N = NON Approval A = UL /UR Approval Please consult EDCON for available B = VDE Approval Please consult EDCON for available C = TÜV Approval Please consult EDCON for available 0 = NON Plastic Approval	R = ROHS Conform N = NON ROHS Conform	B = Bulk-Ware I = Individual Package	xxxxxx = Customer Number	xxx = Customer Version ??(Printing)		
----------------	---	---	---	---	--	---	---------------------------------	--	--	--

Power Elevated Terminal Block

Part No.: **A13V001**

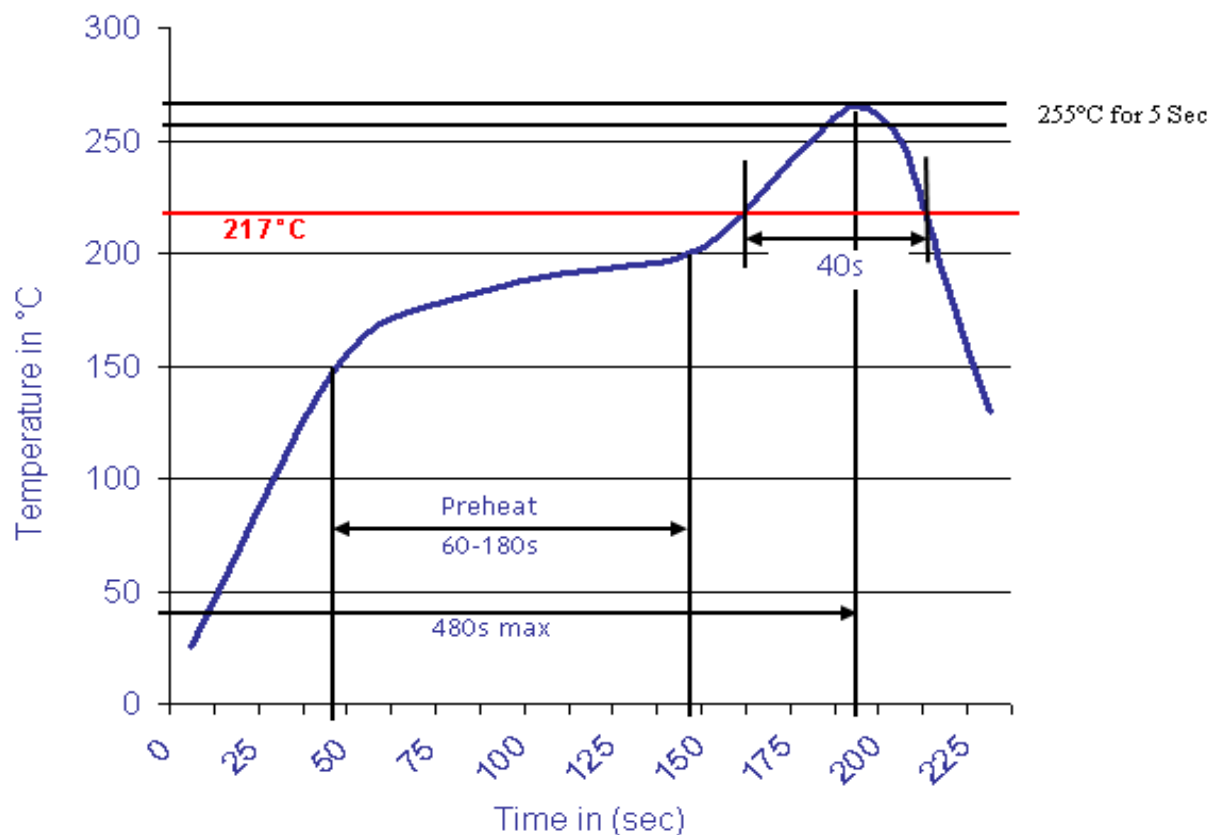
DRW:	Jason	CHKD	Wilson	MATL:	Wilson	TOLERANCE	Mason	DATE	15.10.2015
APPD:	Schumi			FINISH	Jamy		Sheet No.		3 from 4

Customer:



Soldering Profile Curve

Classification Reflow Profile (JEDEC J-STD-020C)



Power Elevated Terminal Block

Part No.: **A13V001**

Customer:

DRW:	Jason	CHKD	Wilson	MATL:	Wilson	TOLERANCE	Mason	DATE	15.10.2015
APPD:	Schumi			FINISH	Jamy		Sheet No.	4 from 4	