

Data Sheet

Elevated Terminal Block

Pitch: 10,16 mm

Serie: A13U006

Customer Information for special Item

EDCON Customer : 0

Customer Version No. : 0

EDCON-COMPONENTS



Technical Discription

Drawing (Dimension in mm)

Electrical

Rated Voltage	1000 Volt
Rated Current	65A
Wire Range	
Solid Wire	AWG 6~20
Stranged Wire	AWG 6~20
Withstanding Voltage	3,0KV
Insulation Resistance	5000MΩ / 1000V

Mechanical

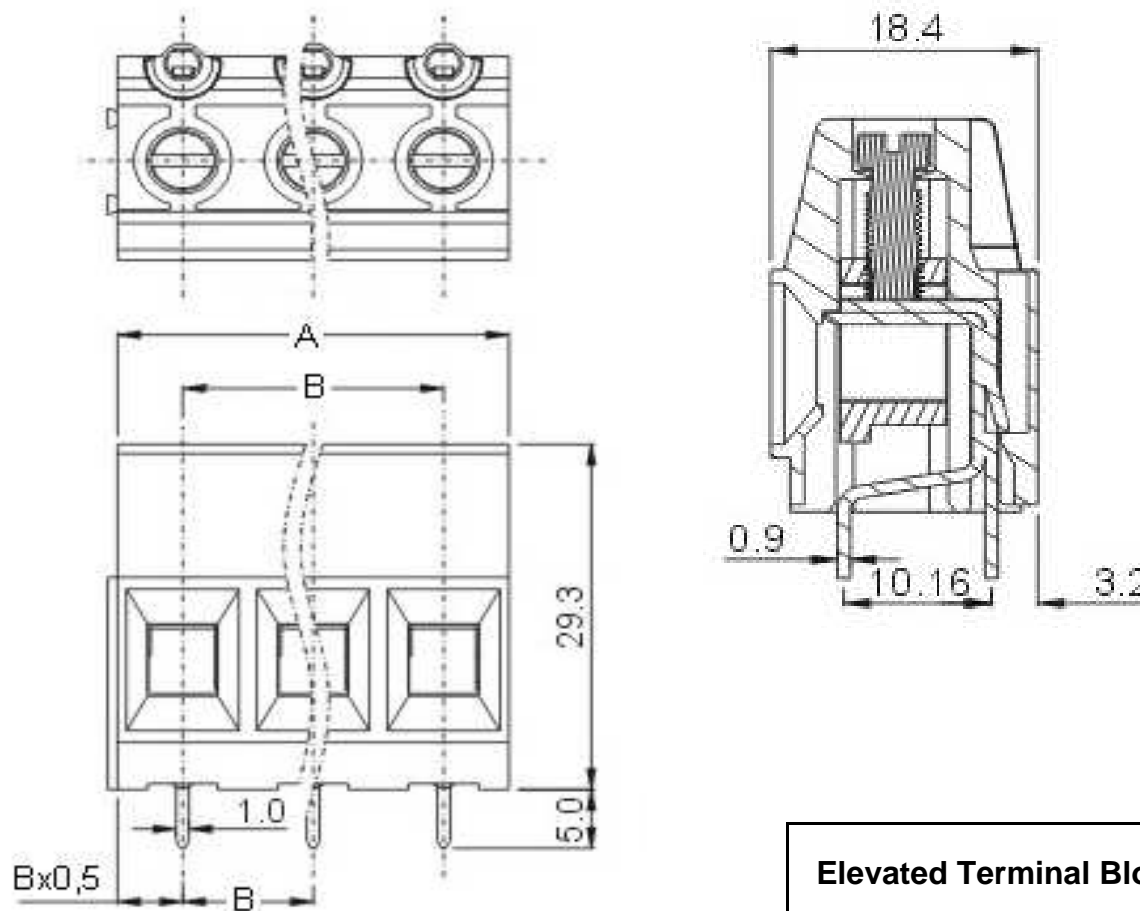
Operating Temperature	-40°C ~ +105°C
Wire Strip Length	10mm

Dimensions

Pitch (mm)	10,16
Poles	2 + 3Pos. ~ 24 Pos.

Materials

1 Terminal Housing	Thermoplastic (UL94V-0)
2 Clamp	Brass Ni, plated
3 Wire guard	Wire guard solder Pin
4 Terminal screw	Steel Zinc plating
5 Terminal Housing Cover	Thermoplastic (UL94V-0)



Elevated Terminal Block	
Part No.:	A13U006
Customer:	

DRW:	Jason	CHKD	Wilson	MATL:	Wilson	TOLERANCE	Mason	DATE	11.02.2011
APPD:	Schumi			FINISH	Jamy		Sheet No.	1 from 4	

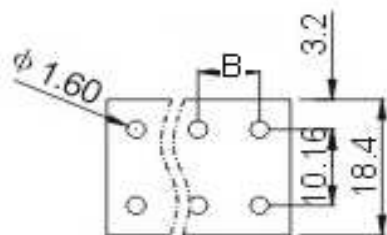
email: info@edcon-components.com

EDCON-COMPONENTS



PCB Layout

Dimensions (mm)



Customer Special Information (Picture, Drawing)

No. of Pos.	A	Tol. A	B	Tol. B
02	20,32	± 0,15	10,16	± 0,15
03	30,48	± 0,15	20,32	± 0,15
04	40,64	± 0,15	30,48	± 0,15
05	50,80	± 0,15	40,64	± 0,15
06	60,96	± 0,15	50,80	± 0,15
07	71,12	± 0,25	60,96	± 0,25
08	81,28	± 0,25	71,12	± 0,25
09	91,44	± 0,25	81,28	± 0,25
10	101,60	± 0,25	91,44	± 0,25
11	111,76	± 0,25	101,60	± 0,25
12	121,92	± 0,25	111,76	± 0,25
13	132,08	± 0,35	121,92	± 0,35
14	142,24	± 0,35	132,08	± 0,35
15	152,40	± 0,35	142,24	± 0,35
16	162,56	± 0,35	152,40	± 0,35
17	172,72	± 0,35	162,56	± 0,35
18	182,88	± 0,35	172,72	± 0,35
19	193,04	± 0,35	182,88	± 0,35
20	203,20	± 0,40	193,04	± 0,40
21	213,36	± 0,40	203,20	± 0,40
22	223,52	± 0,40	213,36	± 0,40
23	233,68	± 0,40	223,52	± 0,40
24	243,84	± 0,40	233,68	± 0,40

Elevated Terminal Block	
Part No.:	A13U006
Customer:	

DRW:	Jason	CHKD	Wilson	MATL:	Wilson	TOLERANCE	Mason	DATE	11.02.2011
APPD:	Schumi			FINISH	Jamy		Sheet No.		2 from 4



EDCON-COMPONENTS



Ordering Informations

Serie	No. of Pos.	Body Color	No Function	Approval Code	ROHS	Packing	EDCON Cust. No.	Customer Version		
-------	-------------	------------	-------------	---------------	------	---------	-----------------	------------------	--	--

A13U006	02	PG	A	N	R	B				
----------------	-----------	-----------	----------	----------	----------	----------	--	--	--	--

Pitch 10,16	02 = Number of Pos. Standard 2 + 3Pos- ~ 24Pos.	PG = Phoenix Green (Standard) WH = White GN = Green GY = Gray LG = Light Gray OR = Orange BL = Blue BK = Black	A = Slotted Screw Type (Standard)  B = Cross Slotted Screw Type 	N = NON Approval A = UL /UR Approval Please consult EDCON for available B = VDE Approval Please consult EDCON for available C = TÜV Approval Please consult EDCON for available	R = ROHS Conform N = NON ROHS Conform	B = Bulk-Ware I = Individual Package	xxxxxx = Customer Number	xxx = Customer Version ??(Printing)		
----------------	---	---	---	--	--	---	---------------------------------	--	--	--

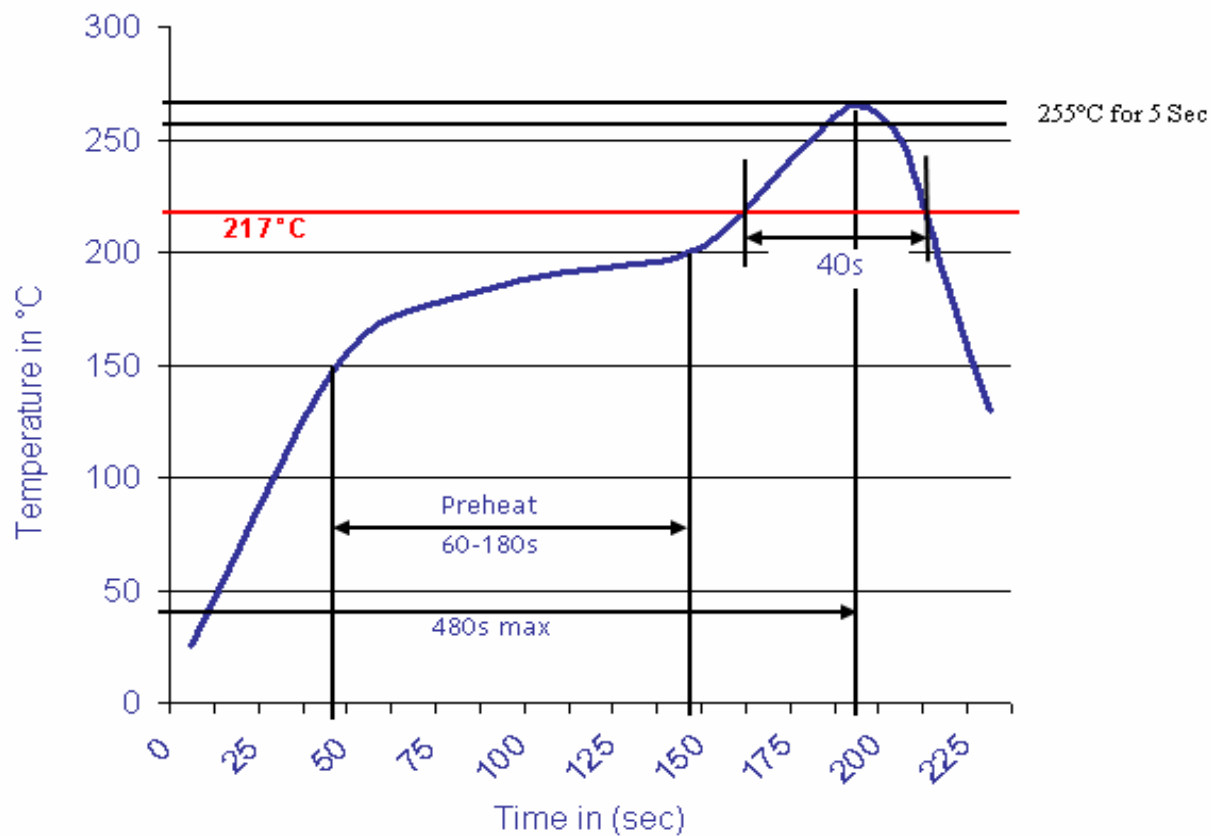
Elevated Terminal Block	
Part No.:	A13U006
Customer:	

DRW:	Jason	CHKD	Wilson	MATL:	Wilson	TOLERANCE	Mason	DATE	11.02.2011
APPD:	Schumi			FINISH	Jamy		Sheet No.		3 from 4



Soldering Profile Curve

Classification Reflow Profile (JEDEC J-STD-020C)



Elevated Terminal Block	
Part No.:	A13U006
Customer:	

DRW:	Jason	CHKD	Wilson	MATL:	Wilson	TOLERANCE	Mason	DATE	11.02.2011
APPD:	Schumi			FINISH	Jamy		Sheet No.	4 from 4	