

# Data Sheet

## Elevated Terminal Block

**Pitch: 6,35 mm**

**Serie: A13N004**

### Customer Information for special Item

**EDCON Customer : 0**

**Customer Version No. : 0**

# EDCON-COMPONENTS



## Technical Discription

### Electrical

Rated Voltage	450 Volt
Rated Current	32A
Wire Range	
Solid Wire	AWG 10~26
Stranged Wire	AWG 10~26
Withstanding Voltage	2,5KV
Insulation Resistance	5000MΩ / 1000V

### Mechanical

Operating Temperature	-40°C ~ +105°C
Wire Strip Length	8-9mm

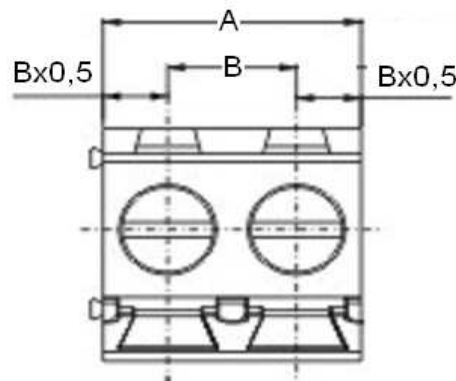
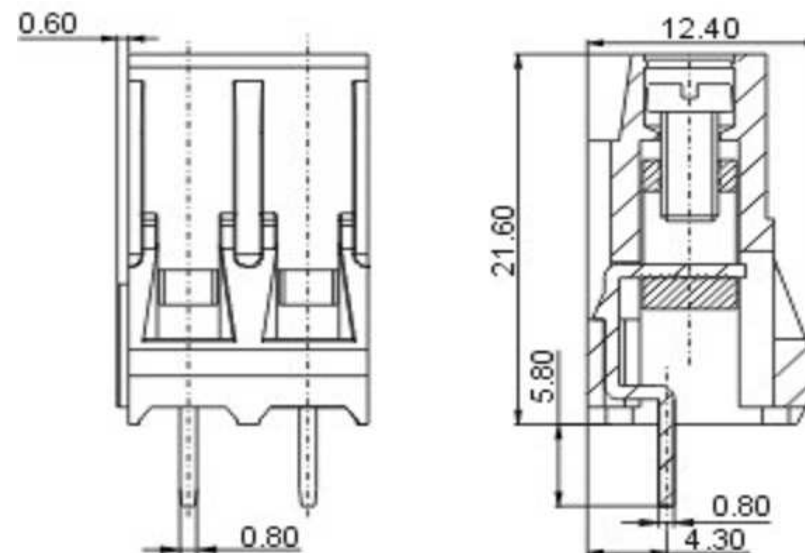
### Dimensions

Pitch (mm)	6,35
Poles	2 + 3Pos. ~ 24 Pos.

### Materials

1 Terminal Housing	Thermoplastic ( UL94V-0)
2 Clamp	Brass Ni, plated
3 Wire guard	Wire guard solder Pin
4 Terminal screw	Steel Zinc plating
5 Terminal Housing Cover	Thermoplastic ( UL94V-0)

## Drawing (Dimension in mm)



### Elevated Terminal Block

Part No.: **A13N004**

Customer:

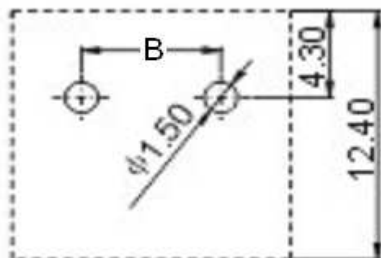
DRW:	Jason	CHKD	Wilson	MATL:	Wilson	TOLERANCE	Mason	DATE	11.02.2011
APPD:	Schumi			FINISH	Jamy		Sheet No.		1 from 4

# EDCON-COMPONENTS



PCB Layout

Dimensions (mm)



Customer Special Information (Picture, Drawing )

No. of Pos.	A	Tol. A	B	Tol. B
02	12,70	± 0,15	6,35	± 0,15
03	19,05	± 0,15	12,70	± 0,15
04	25,40	± 0,15	19,05	± 0,15
05	31,75	± 0,15	25,40	± 0,15
06	38,10	± 0,15	31,75	± 0,15
07	44,45	± 0,25	38,10	± 0,25
08	50,80	± 0,25	44,45	± 0,25
09	57,15	± 0,25	50,80	± 0,25
10	63,50	± 0,25	57,15	± 0,25
11	69,85	± 0,25	63,50	± 0,25
12	76,20	± 0,25	69,85	± 0,25
13	82,55	± 0,35	76,20	± 0,35
14	88,90	± 0,35	82,55	± 0,35
15	95,25	± 0,35	88,90	± 0,35
16	101,60	± 0,35	95,25	± 0,35
17	107,95	± 0,35	101,60	± 0,35
18	114,30	± 0,35	107,95	± 0,35
19	120,65	± 0,35	114,30	± 0,35
20	127,00	± 0,40	120,65	± 0,40
21	133,35	± 0,40	127,00	± 0,40
22	139,70	± 0,40	133,35	± 0,40
23	146,05	± 0,40	139,70	± 0,40
24	152,40	± 0,40	146,05	± 0,40

**Elevated Terminal Block**

Part No.: **A13N004**

DRW:	Jason	CHKD	Wilson	MATL:	Wilson	TOLERANCE	Mason	DATE	11.02.2011
APPD:	Schumi			FINISH	Jamy		Sheet No.	2 from 4	Customer:



# EDCON-COMPONENTS



## Ordering Informations

Serie	No. of Pos.	Body Color	No Function	Approval Code	ROHS	Packing	EDCON Cust. No.	Customer Version		
-------	-------------	------------	-------------	---------------	------	---------	-----------------	------------------	--	--

<b>A13N004</b>	<b>02</b>	<b>PG</b>	<b>A</b>	<b>N</b>	<b>R</b>	<b>B</b>				
----------------	-----------	-----------	----------	----------	----------	----------	--	--	--	--

Pitch 6,35	<b>02</b> = Number of Pos. Standard 2 + 3Pos- ~ 24Pos.	<b>PG</b> = Phoenix Green (Standard) <b>WH</b> = White <b>GN</b> = Green <b>GY</b> = Gray <b>LG</b> = Light Gray <b>OR</b> = Orange <b>BL</b> = Blue <b>BK</b> = Black	<b>A</b> = Slotted Screw Type (Standard)  <b>B</b> = Cross Slotted Screw Type 	<b>N</b> = NON Approval <b>A</b> = UL /UR Approval Please consult EDCON for available <b>B</b> = VDE Approval Please consult EDCON for available <b>C</b> = TÜV Approval Please consult EDCON for available	<b>R</b> = ROHS Conform <b>N</b> = NON ROHS Conform	<b>B</b> = Bulk-Ware <b>I</b> = Individual Package	<b>xxxxxx</b> = Customer Number	<b>xxx</b> = Customer Version ??(Printing)		
---------------	---	---	---	--	--	---	---------------------------------	--	--	--

Elevated Terminal Block	
Part No.:	<b>A13N004</b>
Customer:	

DRW:	Jason	CHKD	Wilson	MATL:	Wilson	TOLERANCE	Mason	DATE	11.02.2011
APPD:	Schumi			FINISH	Jamy		Sheet No.		3 from 4



Soldering Profile Curve

Classification Reflow Profile (JEDEC J-STD-020C)



<b>Elevated Terminal Block</b>	
Part No.:	<b>A13N004</b>
Customer:	

DRW:	Jason	CHKD	Wilson	MATL:	Wilson	TOLERANCE	Mason	DATE	11.02.2011
APPD:	Schumi			FINISH	Jamy		Sheet No.	4 from 4	