

Data Sheet

Elevated Terminal Block Pitch 5,08mm

Pitch: 5,08 mm

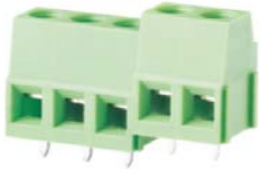
Serie: A13M047

Customer Information for special Item

EDCON Customer : xxxxxx

Customer Version No. : xx

EDCON-COMPONENTS



Technical Discription

Electrical:

Rated voltage:

Rated current:

Withstanding Voltage: AC/1min:

Operating Temperature:

UL	IEC	VDE
300V	300V	
15A	15A	
1600V	1600V	

-40°C ~ +105°C

Mechanical:

Strip length: mm

Wire range: Solid wire: AWG

Wire range: Stranded wire:AWG

6~7	6~7	
30~14	0,5~2,5	
30~14	0,5~2,5	

Material:

Housing Terminal Body:

Material Screw:

Material Terminal:

Clamp:

Wire Guard Solder Pin

PA66 Thermoplastik UL94V-0

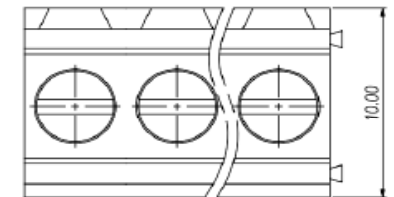
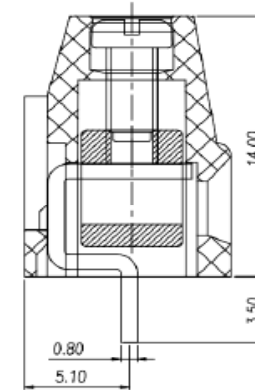
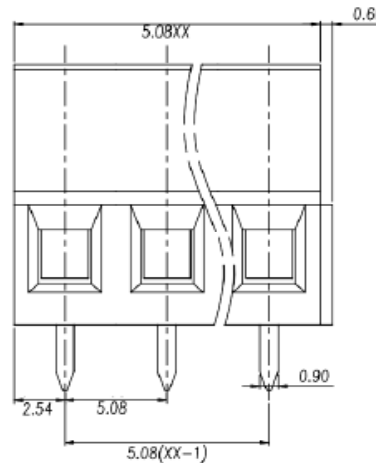
Stainless steel

Copper Matte Tin plated over Nickel

Brass Ni Plated

Brass Tin Plated

Drawing (Dimension in mm)



Tolerances unless otherwise specified (mm)

x	x.x	x.xx	x.xxx	Angle
±0,50	±0,30	±0,1	±	±3°

**Elevated Terminal Block Pitch
5,08mm**

Part No.: **A13M047**

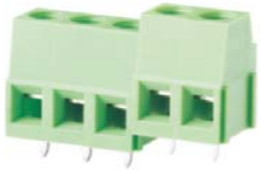
Customer:

DRW:	Jason	CHKD	Wilson	MATL:	Wilson	TOLERANCE	Mason	DATE	06.01.2021
APPD:	Schumi			FINISH	Jamy		Sheet No.		1 from 4

www.edcon-components.com

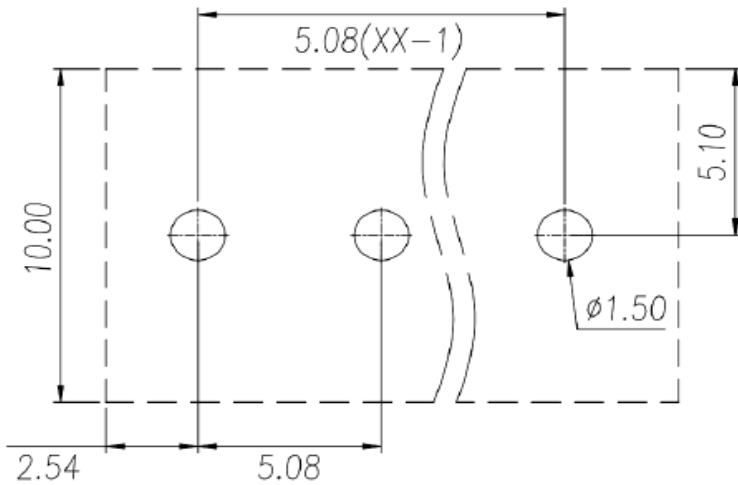
email: info@edcon-components.com

EDCON-COMPONENTS



PCB Layout Dimension (mm)

TOP-VIEW



Dimensions (mm)

A	Tol. P	B	Tol. P	No. of Pos.
7,62	± 0,35	5,08	± 0,35	02
12,70	± 0,35	10,16	± 0,35	03
17,78	± 0,35	15,24	± 0,35	04
22,86	± 0,35	20,32	± 0,35	05
27,94	± 0,35	25,40	± 0,35	06
33,02	± 0,35	30,48	± 0,35	07
38,10	± 0,35	35,56	± 0,35	08
43,18	± 0,35	40,64	± 0,35	09
48,26	± 0,35	45,72	± 0,35	10
53,34	± 0,35	50,80	± 0,35	11
58,42	± 0,35	55,88	± 0,35	12
63,50	± 0,35	60,96	± 0,35	13
68,58	± 0,35	66,04	± 0,35	14
73,66	± 0,35	71,12	± 0,35	15
78,74	± 0,35	76,20	± 0,35	16
83,82	± 0,35	81,28	± 0,35	17
88,90	± 0,35	86,36	± 0,35	18
93,98	± 0,35	91,44	± 0,35	19
99,06	± 0,35	96,52	± 0,35	20
104,14	± 0,35	101,60	± 0,35	21
109,22	± 0,35	106,68	± 0,35	22
114,30	± 0,35	111,76	± 0,35	23
119,38	± 0,35	116,84	± 0,35	24

**Elevated Terminal Block Pitch
5,08mm**

Part No.: **A13M047**

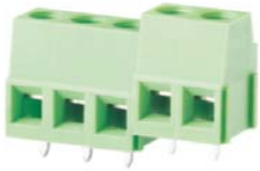
Customer:

DRW:	Jason	CHKD	Wilson	MATL:	Wilson	TOLERANCE	Mason	DATE	06.01.2021
APPD:	Schumi			FINISH	Jamy		Sheet No.		2 from 4

www.edcon-components.com

email: info@edcon-components.com

EDCON-COMPONENTS



Ordering Informations

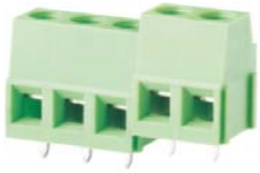
Serie	No. of Pos.	Body Color	Srew Type	Approval Code	ROHS	Packing	EDCON Cust. No.	Customer Version		
A13M047	02	PG	A	N	R	B	xxxxxx	xx		

Pitch
5,08

02= Number of Pos.	PG= Phoenix Green (Standard)		N= NON Approval	R= ROHS Conform	B= Standard Package Box/ Polybag	xxxxxx= Customer Number	xx= Customer Version (Printing) ??
Standard 2 ~ 24Pos.		A= Screw- Type SLIT	1= UL-Approval for Body Material	N= NON ROHS Conform	I= Individual Package		
		B= Screw- Type CROSS-SLIT	A= UL /UR Approval Please consult EDCON for available				
			B= VDE Approval Please consult EDCON for available				
			C= TÜV Approval Please consult EDCON for available				

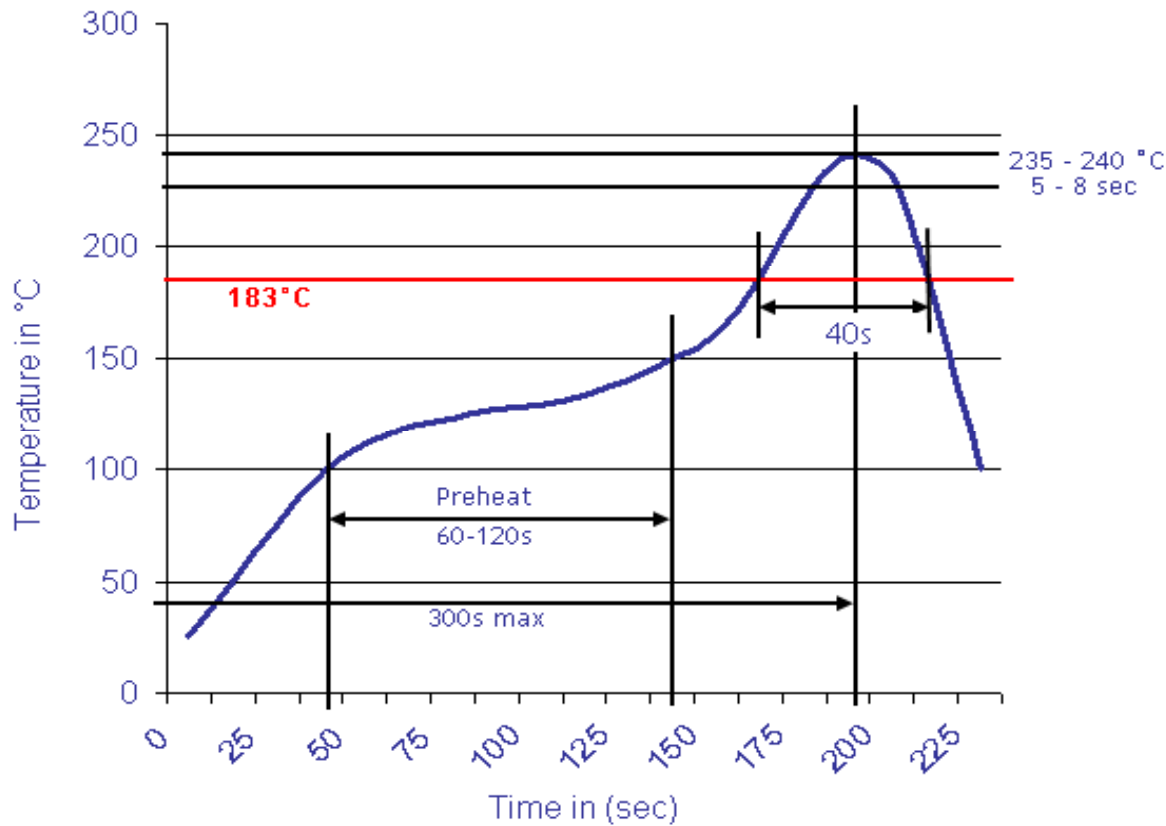
Elevated Terminal Block Pitch 5,08mm
Part No.: A13M047
Customer:

DRW:	Jason	CHKD	Wilson	MATL:	Wilson	TOLERANCE	Mason	DATE	06.01.2021
APPD:	Schumi			FINISH	Jamy		Sheet No.		3 from 4



Soldering Profile Curve

Classification Reflow Profile (JEDEC J-STD-020C)



Elevated Terminal Block Pitch 5,08mm	
Part No.:	A13M047
Customer:	

DRW:	Jason	CHKD	Wilson	MATL:	Wilson	TOLERANCE	Mason	DATE	06.01.2021
APPD:	Schumi			FINISH	Jamy		Sheet No.		4 from 4