

Data Sheet

Elevated Terminal Block

Pitch: 5,08 mm

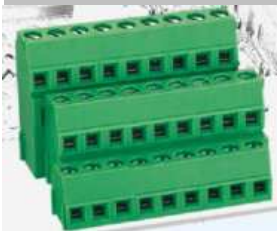
Serie: A13M014

Customer Information for special Item

EDCON Customer : 0

Customer Version No. : 0

EDCON-COMPONENTS



Technical Description

Drawing (Dimension in mm)

Electrical

Rated Voltage	250 Volt
Rated Current	24A
Wire Range	
Solid Wire	AWG 12~24
Stranded Wire	AWG 12~24
Withstanding Voltage	2,0KV
Insulation Resistance	5000MΩ / 1000V

Mechanical

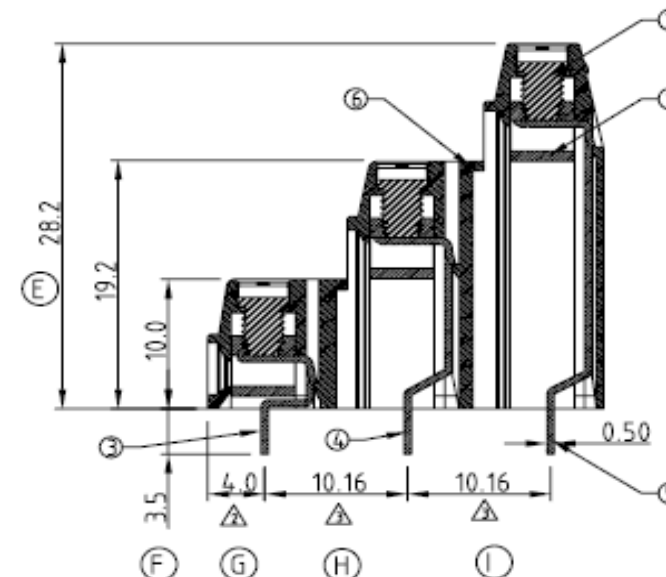
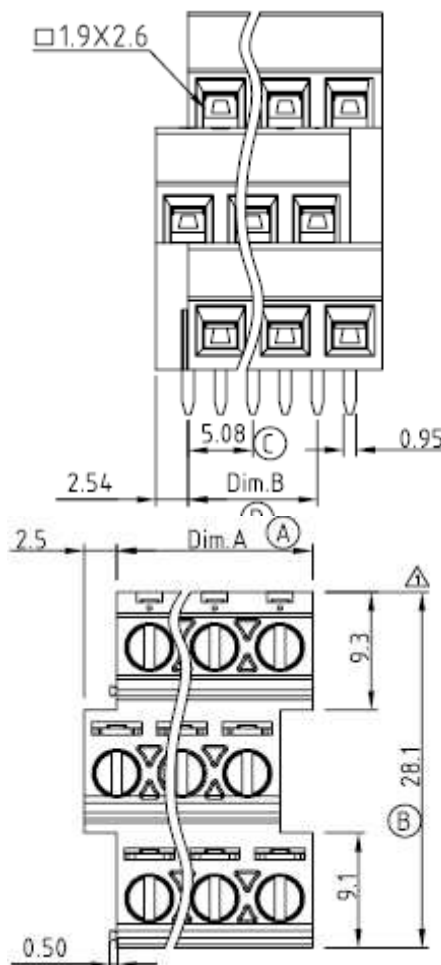
Operating Temperature	-40°C ~ +115°C
Wire Strip Length	7mm

Dimensions

Pitch (mm)	5,08
Poles	2 + 3Pos. ~ 24 Pos.

Materials

1 Terminal Housing	Thermoplastic (UL94V-0)
2 Clamp	Brass Ni, plated
3 Wire guard	Wire guard solder Pin
4 Terminal screw	Steel Zinc plating
5 Terminal Housing Cover	Thermoplastic (UL94V-0)



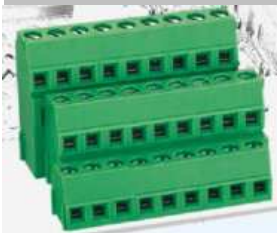
Elevated Terminal Block

Part No.: **A13M014**

Customer:

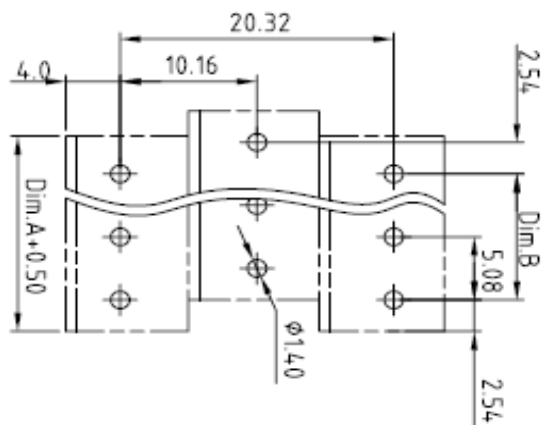
DRW:	Jason	CHKD	Wilson	MATL:	Wilson	TOLERANCE	Mason	DATE	27.01.2015
APPD:	Schumi			FINISH	Jamy		Sheet No.	1 from 4	

EDCON-COMPONENTS



PCB Layout

Dimensions (mm)



No. of Pos.	A	Tol. A	B	Tol. B
02	10,16	$\pm 0,15$	5,08	$\pm 0,15$
03	15,24	$\pm 0,15$	10,16	$\pm 0,15$
04	20,32	$\pm 0,15$	15,24	$\pm 0,15$
05	25,40	$\pm 0,15$	20,32	$\pm 0,15$
06	30,48	$\pm 0,15$	25,40	$\pm 0,15$
07	35,56	$\pm 0,25$	30,48	$\pm 0,25$
08	40,64	$\pm 0,25$	35,56	$\pm 0,25$
09	45,72	$\pm 0,25$	40,64	$\pm 0,25$
10	50,80	$\pm 0,25$	45,72	$\pm 0,25$
11	55,88	$\pm 0,25$	50,80	$\pm 0,25$
12	60,96	$\pm 0,25$	55,88	$\pm 0,25$
13	66,04	$\pm 0,35$	60,96	$\pm 0,35$
14	71,12	$\pm 0,35$	66,04	$\pm 0,35$
15	76,20	$\pm 0,35$	71,12	$\pm 0,35$
16	81,28	$\pm 0,35$	76,20	$\pm 0,35$
17	86,36	$\pm 0,35$	81,28	$\pm 0,35$
18	91,44	$\pm 0,35$	86,36	$\pm 0,35$
19	96,52	$\pm 0,35$	91,44	$\pm 0,35$
20	101,60	$\pm 0,40$	96,52	$\pm 0,40$
21	106,68	$\pm 0,40$	101,60	$\pm 0,40$
22	111,76	$\pm 0,40$	106,68	$\pm 0,40$
23	116,84	$\pm 0,40$	111,76	$\pm 0,40$
24	121,92	$\pm 0,40$	116,84	$\pm 0,40$

Customer Special Information (Picture, Drawing)

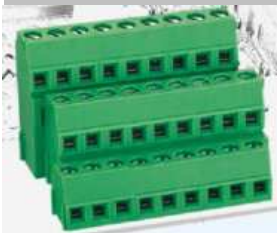
Elevated Terminal Block

Part No.: **A13M014**

Customer:

DRW:	Jason	CHKD	Wilson	MATL:	Wilson	TOLERANCE	Mason	DATE	27.01.2015
APPD:	Schumi			FINISH	Jamy		Sheet No.		2 from 4



EDCON-COMPONENTS



Ordering Informations

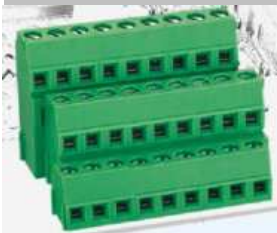
Serie	No. of Pos.	Body Color	No Function	Approval Code	ROHS	Packing	EDCON Cust. No.	Customer Version		
-------	-------------	------------	-------------	---------------	------	---------	-----------------	------------------	--	--

A13M014	06	PG	A	N	R	B				
----------------	-----------	-----------	----------	----------	----------	----------	--	--	--	--

Pitch 5,08	06 = Number of Pos. Standard 3x2 +09= 3x3Pos- ~ 3x24Pos.	PG = Phoenix Green (Standard) WH = White GN = Green GY = Gray LG = Light Gray OR = Orange BL = Blue BK = Black	A = Slotted Screw Type (Standard)  B = Cross Slotted Screw Type 	N = NON Approval A = UL /UR Approval Please consult EDCON for available B = VDE Approval Please consult EDCON for available C = TÜV Approval Please consult EDCON for available	R = ROHS Conform N = NON ROHS Conform	B = Bulk-Ware I = Individual Package	xxxxxx = Customer Number	xxx = Customer Version ??(Printing)		
---------------	--	---	---	---	--	---	---------------------------------	---	--	--

Elevated Terminal Block	
Part No.:	A13M014
Customer:	

DRW:	Jason	CHKD	Wilson	MATL:	Wilson	TOLERANCE	Mason	DATE	27.01.2015
APPD:	Schumi			FINISH	Jamy		Sheet No.		3 from 4



Soldering Profile Curve

Classification Reflow Profile (JEDEC J-STD-020C)



Elevated Terminal Block	
Part No.:	A13M014
Customer:	

DRW:	Jason	CHKD	Wilson	MATL:	Wilson	TOLERANCE	Mason	DATE	27.01.2015
APPD:	Schumi			FINISH	Jamy		Sheet No.	4 from 4	