

Data Sheet

Wire Protector Terminal Block

Serie: 5,08 mm

Serie: A12M003

Customer Information for special Item

EDCON Customer : xxxxxx

Customer Version No. : xx

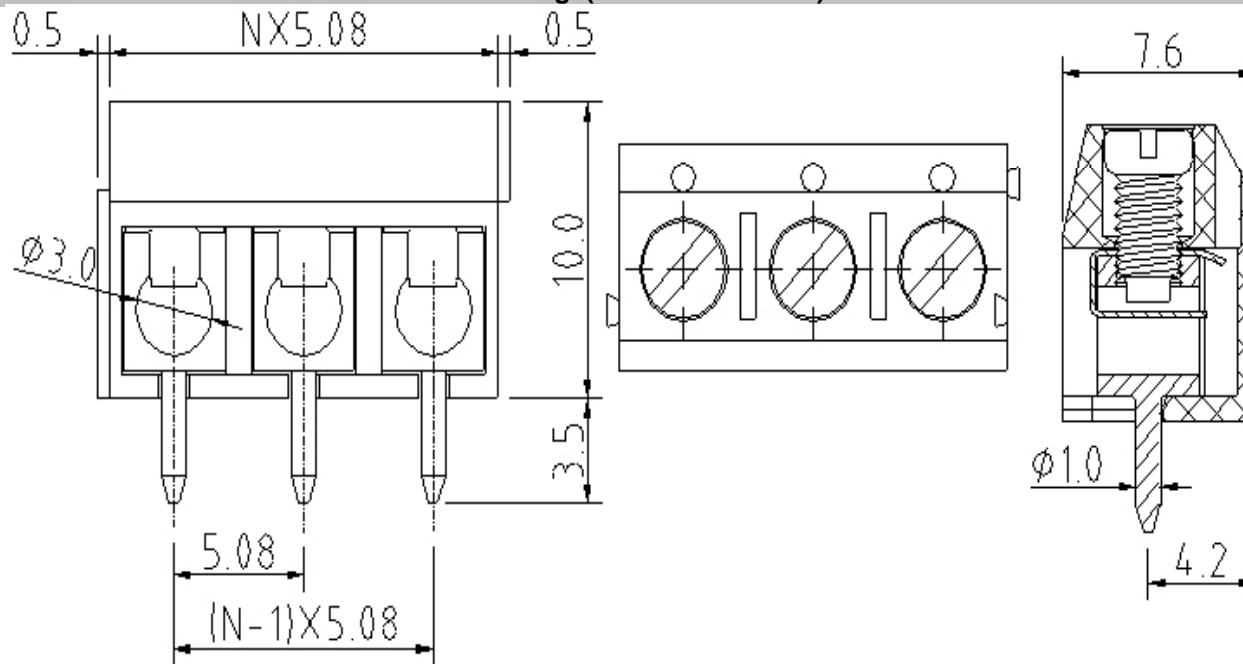
EDCON-COMPONENTS



Technical Discription

Electrical	UL	IEC
Rated Voltage	300 Volt	
Rated Current	15A	
Wire Range		
Solid Wire		AWG 14~22
Stranged Wire		AWG 14~22
Withstanding Voltage		1,6KV
Insulation Resistance		5000MΩ / 1000V
Mechanical		
Operating Temperature		-40°C ~ +115°C
Wire Strip Length		6-7mm
Dimensions		
Pitch (mm)		5,08
Poles		2 + 3Pos. ~ 24 Pos.
Materials		
Body		Brass (CuZn) Tin Plated
Screw		Steel (Zinc Plated)
Wire Guard		Stainless Steel
Housing		Thermoplastic (UL94V-0)

Drawing (Dimension in mm)



Wire Protector Terminal Block

Part No.: **A12M003**

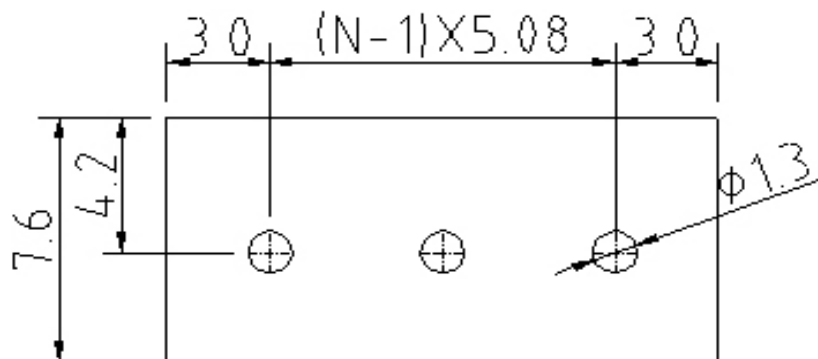
Customer:

DRW:	Jason	CHKD	Wilson	MATL:	Wilson	TOLERANCE	Mason	DATE	12.04.2017
APPD:	Schumi			FINISH	Jamy		Sheet No.	1 from 4	

EDCON-COMPONENTS



PCB Layout (Dimension mm)



Dimensions (mm)

No. of Pos.	N	Tol. L	Pitch	Tol. B
02	6,08	± 0,15	5,08	± 0,10
03	11,16	± 0,15	10,16	± 0,10
04	16,24	± 0,15	15,24	± 0,10
05	21,32	± 0,15	20,32	± 0,10
06	26,40	± 0,15	25,40	± 0,10
07	31,48	± 0,20	30,48	± 0,20
08	36,56	± 0,20	35,56	± 0,20
09	41,64	± 0,20	40,64	± 0,20
10	46,72	± 0,20	45,72	± 0,20
11	51,80	± 0,20	50,80	± 0,20
12	56,88	± 0,20	55,88	± 0,20
13	61,96	± 0,30	60,96	± 0,25
14	67,04	± 0,30	66,04	± 0,25
15	72,12	± 0,30	71,12	± 0,25
16	77,20	± 0,30	76,20	± 0,25
17	82,28	± 0,30	81,28	± 0,25
18	87,36	± 0,30	86,36	± 0,25
19	92,44	± 0,40	91,44	± 0,25
20	97,52	± 0,40	96,52	± 0,30
21	102,60	± 0,40	101,60	± 0,30
22	107,68	± 0,40	106,68	± 0,30
23	112,76	± 0,40	111,76	± 0,30
24	117,84	± 0,40	116,84	± 0,30

Wire Protector Terminal Block

Part No.: **A12M003**

Customer:



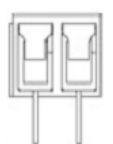
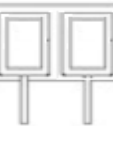
DRW:	Jason	CHKD	Wilson	MATL:	Wilson	TOLERANCE	Mason	DATE	12.04.2017
APPD:	Schumi			FINISH	Jamy		Sheet No.		2 from 4

EDCON-COMPONENTS



Ordering Informations

Serie	No. of Pos.	Body Color	Screw-Type	Wire Protector	Approval Code	ROHS	Packing	EDCON Cust. No.	Customer Version
A12M003	02	BL	A	1	N	R	B	xxxxxx	xx

Pitch 5,08	02 = Number of Pos. Standard 2 + 3Pos- ~ 24Pos.	PG = Phoenix Green (Standard) WH = White GN = Green GY = Gray LG = Light Gray OR = Orange BL = Blue BK = Black	A = Slotted Screw Type (Standard)  B = Cross Slotted Screw Type 	1 = with wire Protector  2 = without wire Protector 	N = NON Approval A = UL /UR Approval Please consult EDCON for available B = VDE Approval Please consult EDCON for available C = TÜV Approval Please consult EDCON for available	R = ROHS Conform N = NON ROHS Conform	B = Bulk-Ware I = Individual Package	xxxxxx = Customer Number	xxx = Customer Version ??(Printing)
---------------	---	---	---	--	--	--	---	---------------------------------	--

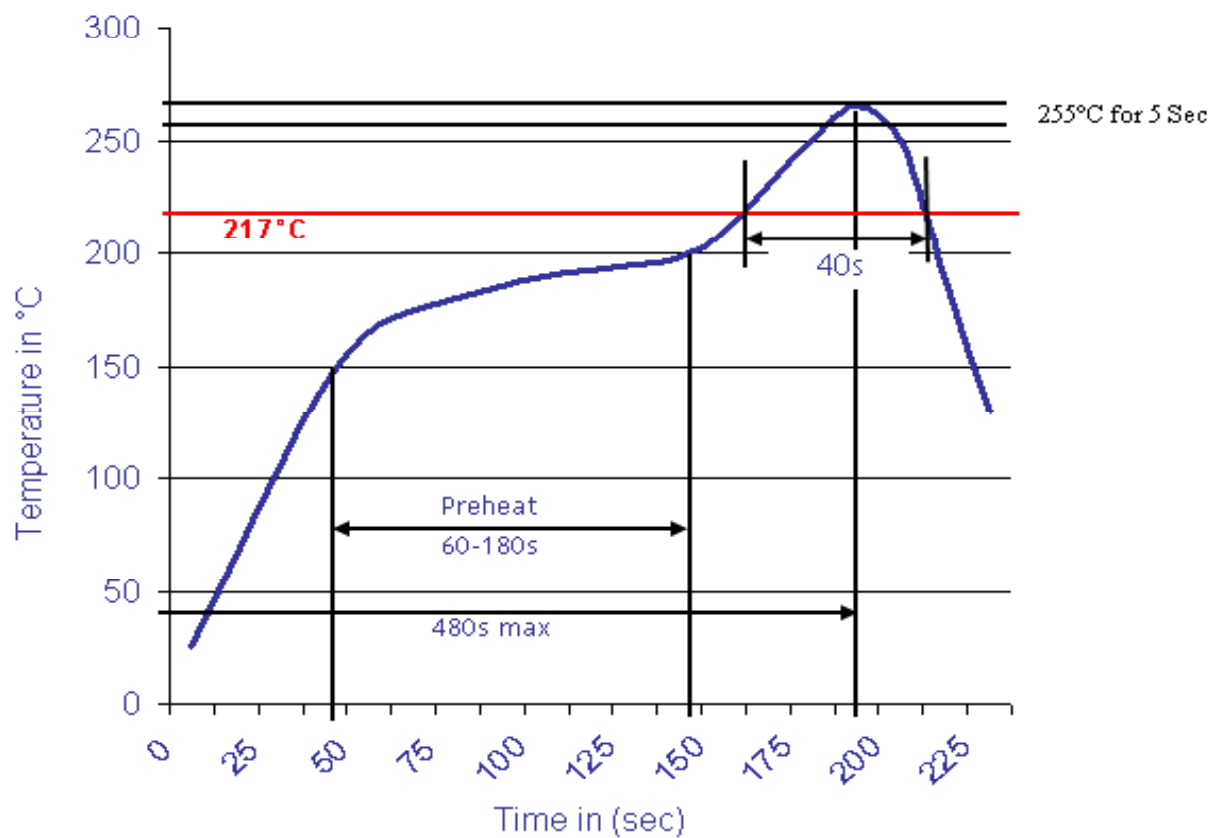
Wire Protector Terminal Block	
Part No.:	A12M003
Customer:	

DRW:	Jason	CHKD	Wilson	MATL:	Wilson	TOLERANCE	Mason	DATE	12.04.2017
APPD:	Schumi			FINISH	Jamy		Sheet No.		3 from 4



Soldering Profile Curve

Classification Reflow Profile (JEDEC J-STD-020C)



Wire Protector Terminal Block	
Part No.:	A12M003
Customer:	

DRW:	Jason	CHKD	Wilson	MATL:	Wilson	TOLERANCE	Mason	DATE	12.04.2017
APPD:	Schumi			FINISH	Jamy		Sheet No.	4 from 4	