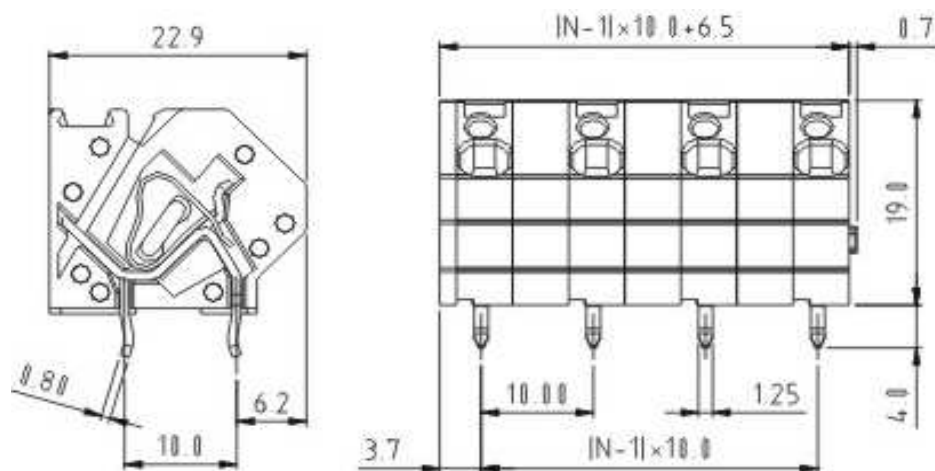


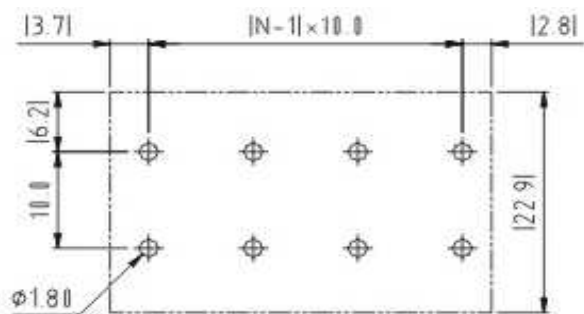
EDCON-COMPONENTS



Drawing



P.C.B. Layout



Specifications

APPROVAL

Electrical

Standard
Rated voltage
Rated current
Wire range
Withstanding voltage



UL	IEC
300V	630V
10A	20A
28-12 AWG	0.08-4.0mm ²
1.6KV	8KV

Mechanical

Wire strip length
Ambient temperature

8 ~ 9mm
-40°C ~ +105°C

Dimensions

Pitch
Poles

10.00mm
2P - 12P

Material

Housing
Pin header
Wire guard

Thermoplasti (UL94V-0)
Brass, Tin plated
Stainless steel



Certification



Screwless Terminal Block /
Pitch 10.00mm

Part No.: **A11T018**

DRW:	Jason	CHKD	Wilson	MATL:	Wilson	TOLERANCE	Mason	DATE	14.07.2009
APPD:	Schumi			FINISH	Jamy		Sheet No.	1 from 3	Customer:

www.edcon-components.com

email: info@edcon-components.com



Ordering Informations

Serie	-	No. of Pole	Body-Color	-	Customer Request
A11T018	-	XX	XX	-	X

XX = total	WH - white
02	GN - green
...	GR - gray
12	PG - Phoenix Green
	OR - orange
	BK - black
	BL - blue
	LG - light gray



Certification



Screwless Terminal Block /
Pitch 10.00mm

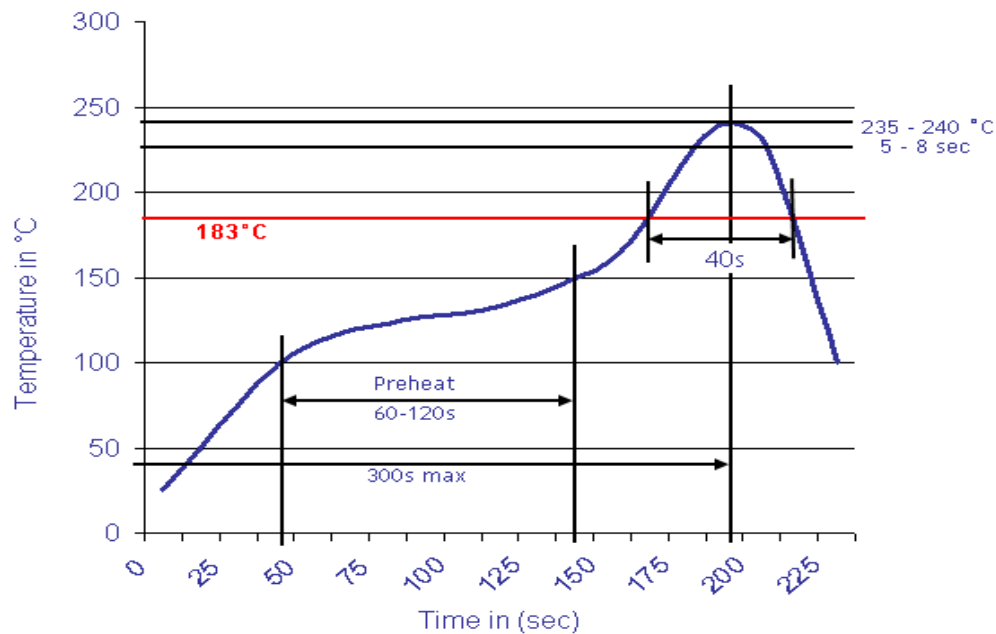
Part No.: **A11T018**

DRW:	Jason	CHKD	Wilson	MATL:	Wilson	TOLERANCE	Mason	DATE	14.07.2009	Customer:
APPD:	Schumi			FINISH	Jamy		Sheet No.	2 from 3		



Soldering - Profil

Classification Reflow Profile (JEDEC J-STD-020C)



Screwless Terminal Block /

Pitch 10.00mm

Part No.: **A11T018**

DRW:	Jason	CHKD	Wilson	MATL:	Wilson	TOLERANCE	Mason	DATE	14.07.2009
APPD:	Schumi			FINISH	Jamy		Sheet No.	3 from 3	

Customer:

email: info@edcon-components.com

www.edcon-components.com