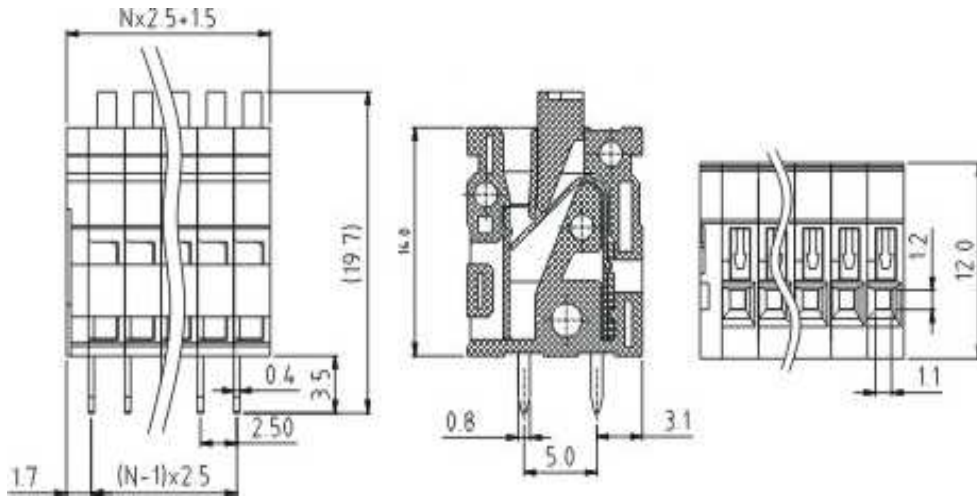


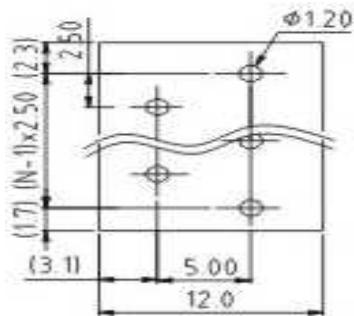
# EDCON-COMPONENTS



## Drawing



## P.C.B. Layout



## Specification

### APPROVAL

#### Electrical

Standard	cULus
Rated voltage	150V
Rated current	3A
Solid wire	20-28 AWG
Stranded wire	20-28 AWG
Withstanding voltage	1.3KV



#### Mechanical

Ambient temperature	-40°C ~ +115°C
Soldering temperature	250°C ± 10°C/5sec
Strip length	6 ~ 7mm

#### Dimensions

Pitch	2.50mm
Poles	2P - 24P

#### Material

Housing	Thermoplastic (UL94V-0)
Pin header	Brass, Tin plated
Wire guard	Stainless steel



Screwless Terminal Block

Pitch 2.50mm

DRW:	Jason	CHKD	Wilson	MATL:	Wilson	TOLERANCE	Mason	DATE	24.09.2009	Part No.:	A11E014
APPD:	Schumi			FINISH	Jamy		Sheet No.		1 from 3	Customer:	

[www.edcon-components.com](http://www.edcon-components.com)

email: [info@edcon-components.com](mailto:info@edcon-components.com)

# EDCON-COMPONENTS



## Ordering Informations

Serie	-	No. of Pole	Body-Color	-	Customer Request
<b>A11E014</b>	-	<b>XX</b>	<b>XX</b>	-	<b>X</b>

XX = total	<b>WH</b> - white
02	<b>GN</b> - green
...	<b>GR</b> - gray
24	<i>(standard)</i>
	<b>PG</b> - Phoenix Green
	<b>OR</b> - orange
	<b>BK</b> - black
	<b>BL</b> - blue
	<b>LG</b> - light gray



**Certification**



Screwless Terminal Block

Pitch 2.50mm

DRW:	Jason	CHKD	Wilson	MATL:	Wilson	TOLERANCE	Mason	DATE	24.09.2009	Part No.:	A11E014
APPD:	Schumi			FINISH	Jamy			Sheet No.	2 from 3	Customer:	

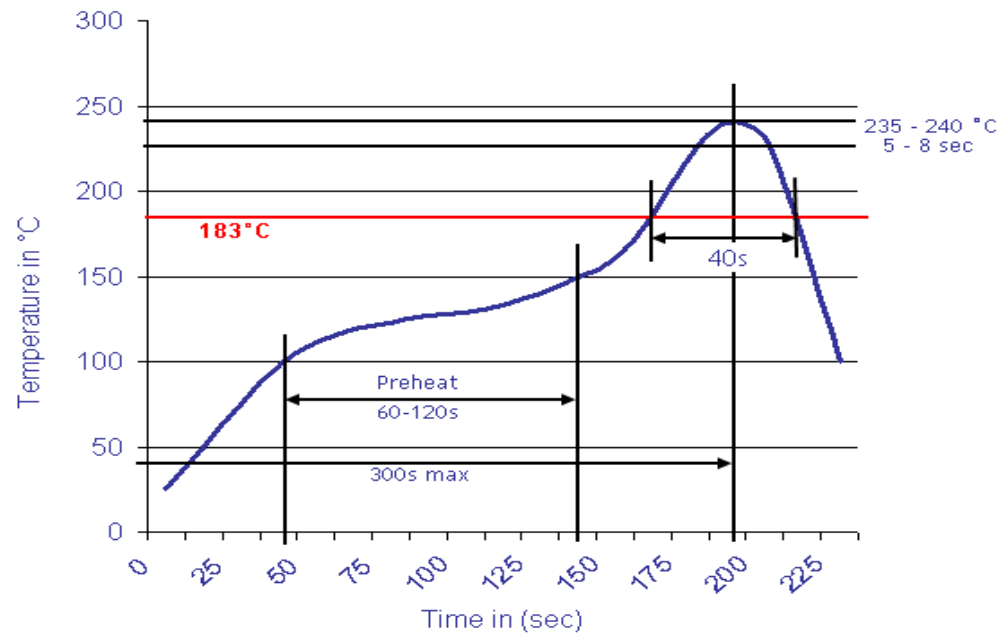
[www.edcon-components.com](http://www.edcon-components.com)

email: [info@edcon-components.com](mailto:info@edcon-components.com)



## Soldering - Profil

### Classification Reflow Profile (JEDEC J-STD-020C)



Screwless Terminal Block

Pitch 2.50mm

DRW:	Jason	CHKD	Wilson	MATL:	Wilson	TOLERANCE	Mason	DATE	24.09.2009	Part No.:	A11E014
APPD:	Schumi			FINISH	Jamy			Sheet No.	3 from 3	Customer:	

