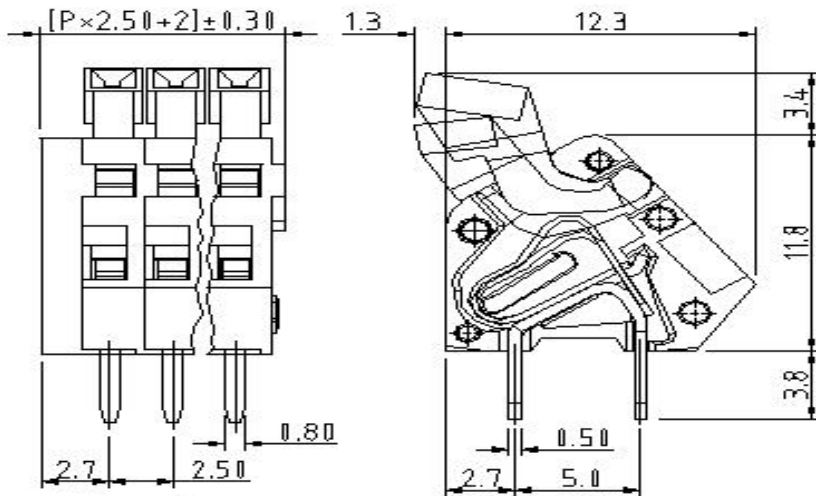
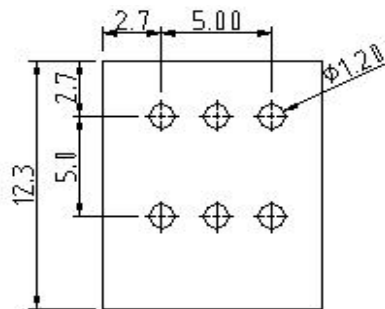


## Drawing



## P.C.B. Layout



## Specifications

### APPROVAL



#### Electrical

Standard	UL
Rated voltage	150V
Rated current	4A
Solid wire	28-22 AWG
Stranded wire	28-22 AWG
Withstanding voltage	1.3 KV

#### Mechanical

Ambient temperature	-40°C ~ 115°C
Soldering temperature	250°C ± 10°C/5sec
Strip length	6 ~ 7mm

#### Dimensions

Pitch	2.50mm
Poles	1P - xxP

#### Material

Housing	Thermoplastic, UL94V-0
Pin header	Brass
Wire guard	Stainless steel



### Certification

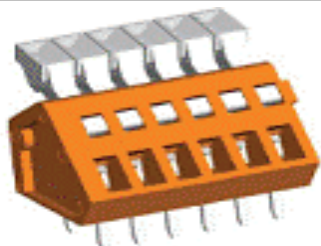


Screwless Terminal Block

Pitch 2.50mm

Part No.: **A11E005**

DRW:	Jason	CHKD	Wilson	MATL:	Wilson	TOLERANCE	Mason	DATE	14.07.2009
APPD:	Schumi			FINISH	Jamy		Sheet No.	1 from 3	Customer:



## Ordering Informations

Serie	-	No. of Pole	Body-Color	-	Customer Request
<b>A11E005</b>	-	<b>XX</b>	<b>XX</b>	-	<b>X</b>

XX = total	<b>WH</b> - white
	<b>GN</b> - green
	<b>GR</b> - gray
	<b>LG</b> - light gray
	<b>PG</b> - Phoenix Green
	<b>OR</b> - orange <i>(standard)</i>
	<b>BK</b> - black
	<b>BL</b> - blue



**Certification**

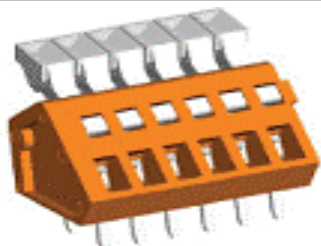


Screwless Terminal Block  
Pitch 2.50mm

Part No.: **A11E005**

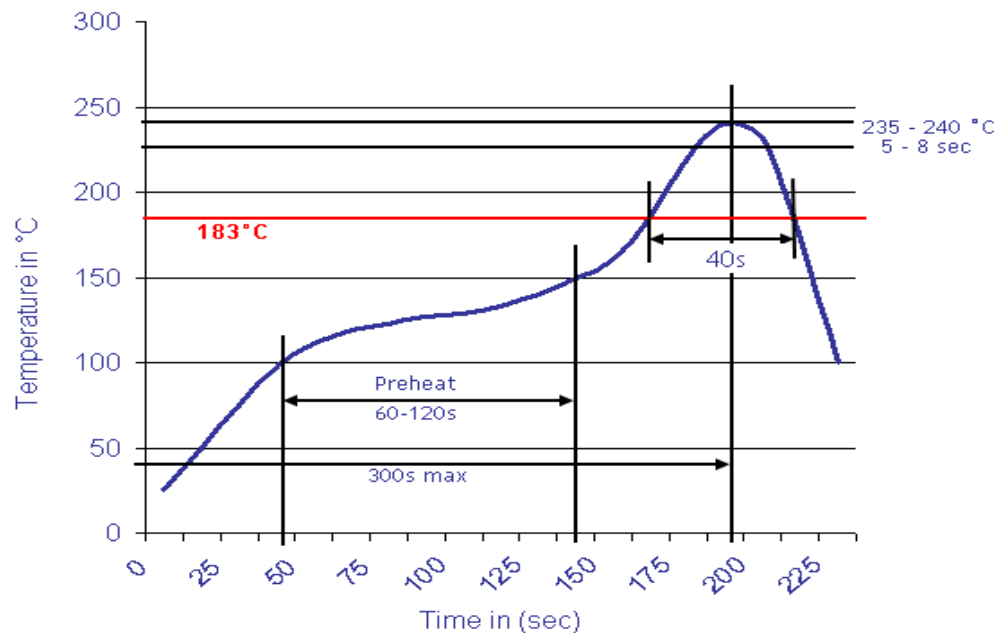
DRW:	Jason	CHKD	Wilson	MATL:	Wilson	TOLERANCE	Mason	DATE	14.07.2009
APPD:	Schumi			FINISH	Jamy		Sheet No.		2 from 3

Customer:



Soldering - Profil

Classification Reflow Profile (JEDEC J-STD-020C)



Screwless Terminal Block	
Pitch 2.50mm	
Part No.:	<b>A11E005</b>
Customer:	

DRW:	Jason	CHKD	Wilson	MATL:	Wilson	TOLERANCE	Mason	DATE	14.07.2009
APPD:	Schumi			FINISH	Jamy		Sheet No.		3 from 3