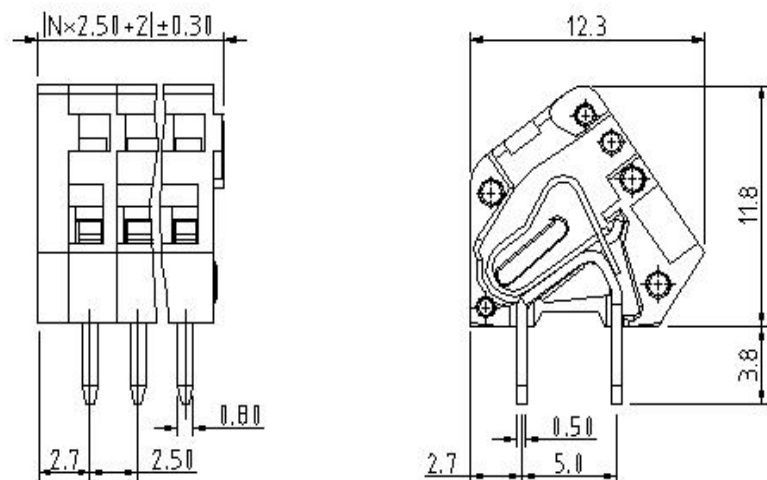
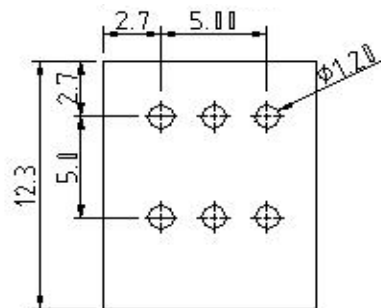


Drawing



P.C.B. Layout



Specifications

APPROVAL



Electrical

Rated voltage	150V
Rated current	4A
Wire range	28-22 AWG
Withstanding voltage	1.3 KV

Mechanical

Ambient temperature	-40°C ~ +115°C
Soldering temperature	250°C ± 10°C/5sec
Strip length	6 ~ 7mm

Dimensions

Pitch	2.50mm
Poles	2P - 12P

Material

Housing	Thermoplastic (UL94V-0)
Pin header	Brass
Wire guard	Stainless steel



Certification

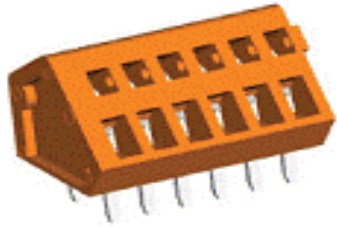


Screwless Terminal Block

Pitch 2.50mm

Part No.: **A11E003**

DRW:	Jason	CHKD	Wilson	MATL:	Wilson	TOLERANCE	Mason	DATE	14.07.2009
APPD:	Schumi			FINISH	Jamy		Sheet No.	1 from 3	Customer:



Ordering Informations

Serie	-	No. of Pole	Body-Color	-	Customer Request
A11E003	-	XX	XX	-	X

XX = total	WH - white
02	GN - green
...	GR - gray
12	LG - light gray
	PG - Phoenix Green
	OR - orange <i>(standard)</i>
	BK - black
	BL - blue



Certification

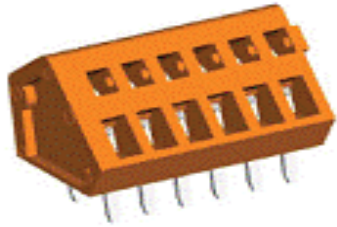


Screwless Terminal Block

Pitch 2.50mm

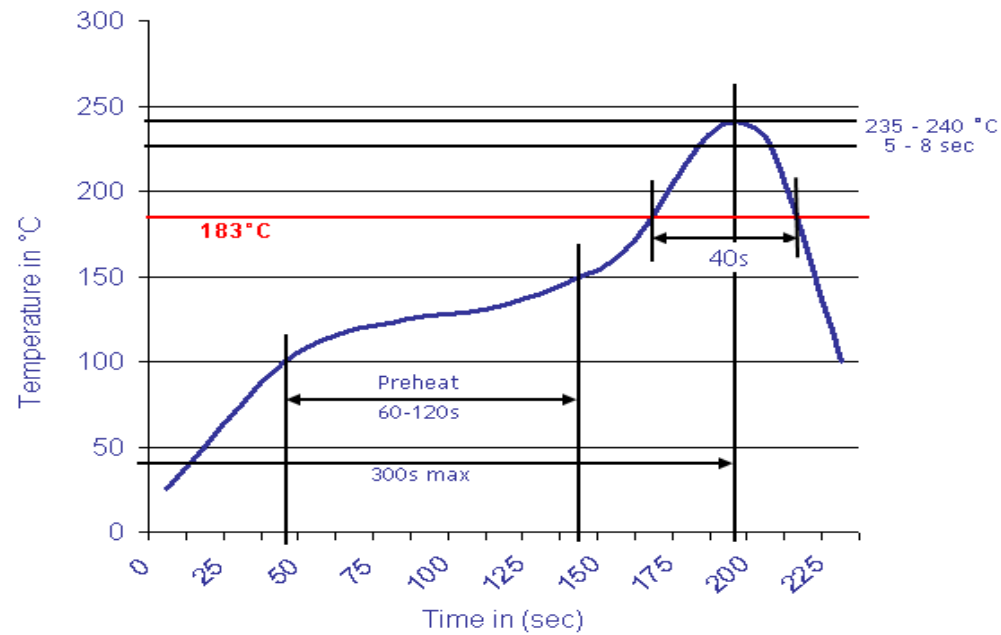
Part No.: **A11E003**

DRW:	Jason	CHKD	Wilson	MATL:	Wilson	TOLERANCE	Mason	DATE	14.07.2009	Customer:
APPD:	Schumi			FINISH	Jamy		Sheet No.	2 from 3		



Soldering - Profil

Classification Reflow Profile (JEDEC J-STD-020C)



Screwless Terminal Block	
Pitch 2.50mm	
Part No.:	A11E003
Customer:	

DRW:	Jason	CHKD	Wilson	MATL:	Wilson	TOLERANCE	Mason	DATE	14.07.2009
APPD:	Schumi			FINISH	Jamy		Sheet No.	3 from 3	