

Data Sheet

Elevated Terminal Block Pitch 7,50mm

Pitch: 7,50 mm

Serie: A12Q025

Customer Information for special Item

EDCON Customer : xxxxxx

Customer Version No. : xx

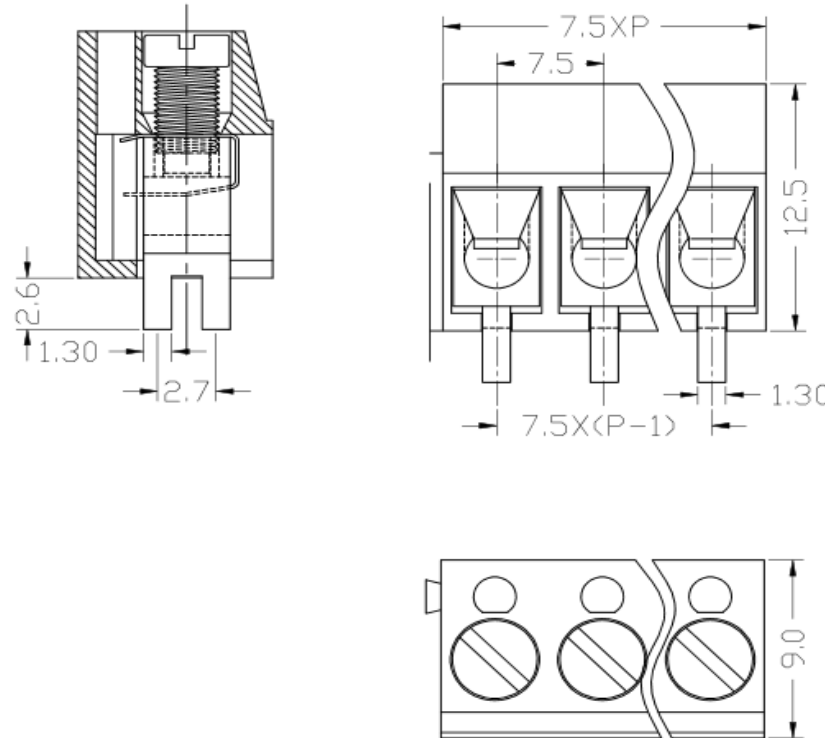
EDCON-COMPONENTS



Technical Description

Electrical:	UL	IEC	VDE
Rated voltage:	300V		
Rated current:	12A		
Withstanding Voltage: AC/1min:	1250V		
Operating Temperature:	-40°C ~ +105°C		
Mechanical:			
Strip length: mm	5 ~ 6		
Wire range: Solid wire: AWG	22-14	2,5mm ²	
Wire range: Stranded wire:AWG	22-14	2,5mm ²	
Material:			
Housing Terminal Body:	PBT (UL94V-0)		
Material Clamp:	Brass, TIN-Plated		
Wire Protector:	Stainless Steel		
Material Screw	Size M3, Steel, Zinc-plated		
No. of Position:	2+3 ~ 24P		

Drawing (Dimension in mm)



Tolerances unless otherwise specified (mm)				
x	x.X	x.XX	x.XXX	Angle
±0,2	±0,1	±0,05	±0,01	±3°
Wilson	TOLERANCE	Mason	DATE	15.08.2023
Jamy			Sheet No.	1 from 3

Elevated Terminal Block Pitch 7,50mm	
Part No.:	A12Q025
Customer:	

DRW:	Jason	CHKD	Wilson
APPD:	Schumi		

MATL:
FINISH

www.edcon-components.com

email: info@edcon-components.com



Ordering Informations

Serie	No. of Pos.	Body Color	Srew Type	Approval Code	ROHS	Packing	EDCON Cust. No.	Customer Version		
A12Q025	02	BK	A	N	R	B	xxxxxx	xx		

Pitch
7,50

02= Number of Pos.			N= NON Approval	R= ROHS Conform	B= Standard Package Box/ Polybag	xxxxxx= Customer Number	xx= Customer Version (Printing) ??
Standard 2+3 ~ 24Pos.		A= Screw- Type SLIT	1= UL-Approval for Body Material	N= NON ROHS Conform	I= Individual Package		
		B= Screw- Type CROSS-SLIT					
		BK= Black					

Elevated Terminal Block Pitch 7,50mm
Part No.: A12Q025
Customer:

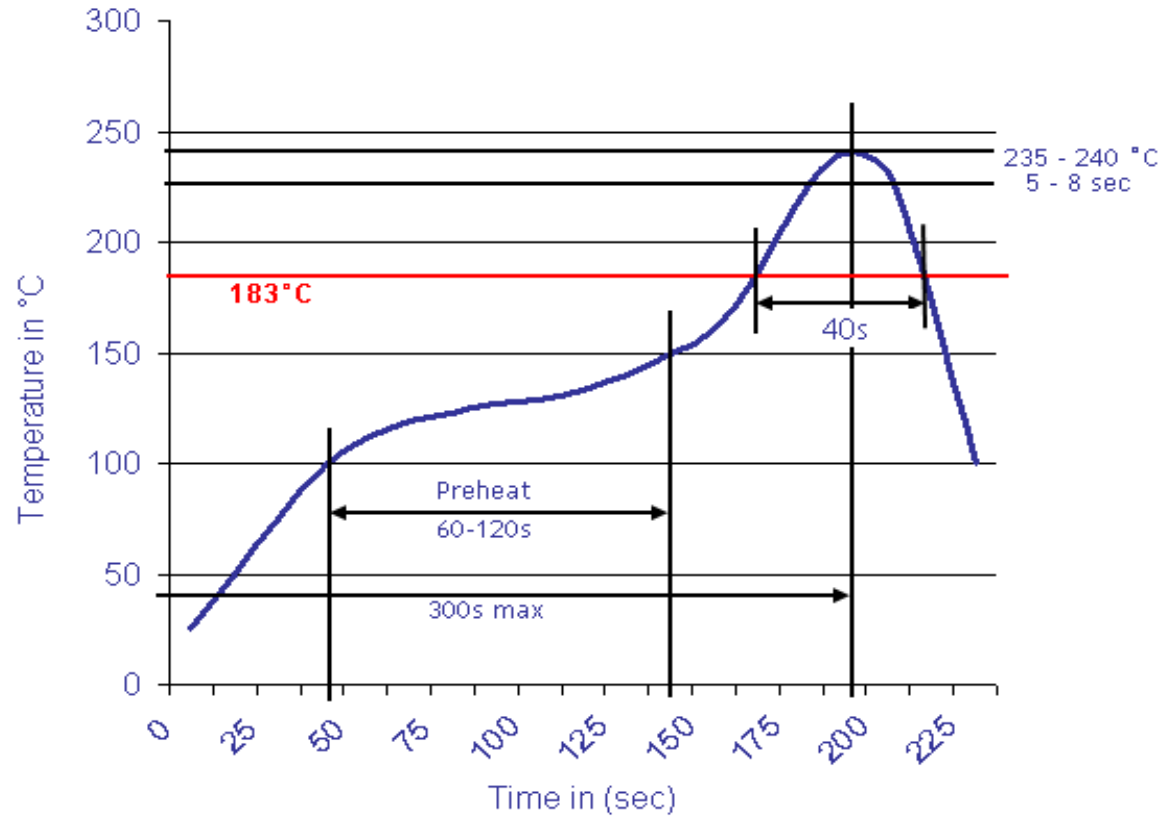
DRW:	Jason	CHKD	Wilson	MATL:	Wilson	TOLERANCE	Mason	DATE	15.08.2023
APPD:	Schumi			FINISH	Jamy		Sheet No.		2 from 3





Soldering Profile Curve

Classification Reflow Profile (JEDEC J-STD-020C)



Elevated Terminal Block Pitch 7,50mm	
Part No.:	A12Q025
Customer:	

DRW:	Jason	CHKD	Wilson	MATL:	Wilson	TOLERANCE	Mason	DATE	15.08.2023
APPD:	Schumi			FINISH	Jamy		Sheet No.	3 from 3	