

# Data Sheet

## Wire Protector Terminal Block

**Serie: 5,00 mm**

**Serie: MA520-500**

### Customer Information for special Item

**EDCON Customer : 0**

**Customer Version No. : 0**

# EDCON-COMPONENTS



## Technical Discription

## Drawing (Dimension in mm)

### Electrical

Rated Voltage	250 Volt
Rated Current	16A
Wire Range	
Solid Wire	AWG 14~26
Stranged Wire	AWG 14~26
Withstanding Voltage	1,6KV
Insulation Resistance	5000MΩ / 1000V

### Mechanical

Operating Temperature	-40°C ~ +115°C
Wire Strip Length	6-7mm

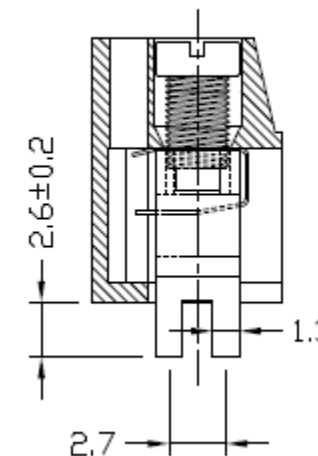
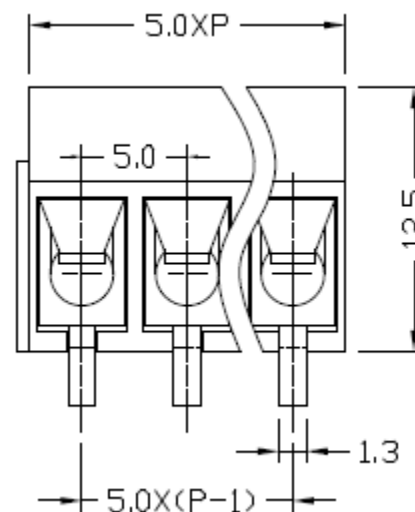
### Dimensions

Pitch (mm)	5,00
Poles	2 + 3Pos.

### Materials

a Body	Brass (CuZn) Tin Plated
b Screw	Steel (Zinc Plated)
c Wire Guard	Stainless Steel
d Housing	Thermoplastic ( UL94V-0)

Solder Pin Dimension 1,3x1,3mm



### Wire Protector Terminal Block

Part No.: **MA520-500**

Customer:

DRW:	Jason	CHKD	Wilson	MATL:	Wilson	TOLERANCE	Mason	DATE	14.02.2014
APPD:	Schumi			FINISH	Jamy		Sheet No.		1 from 4





# EDCON-COMPONENTS



## Ordering Informations

Serie	No. of Pos.	Body Color	No Function	Approval Code	ROHS	Packing	EDCON Cust. No.	Customer Version		
<b>MA520-500</b>	<b>02</b>	<b>BK</b>	<b>A</b>	<b>N</b>	<b>R</b>	<b>B</b>				

Pitch  
5,00

<b>02=</b> Number of Pos.		<b>A=</b> Slotted Screw Type (Standard)	<b>N=</b> NON Approval	<b>R=</b> ROHS Conform	<b>B=</b> Bulk-Ware	<b>xxxxxx=</b> Customer Number	<b>xxx=</b> Customer Version ??(Printing)
Standard 2 + 3Pos			<b>A=</b> UL /UR Approval Please consult EDCON for available	<b>N=</b> NON ROHS Conform	<b>I=</b> Individual Package		
		<b>B=</b> Cross Slotted Screw Type	<b>B=</b> VDE Approval Please consult EDCON for available				
							
	<b>BK=</b> Black		<b>C=</b> TÜV Approval Please consult EDCON for available				

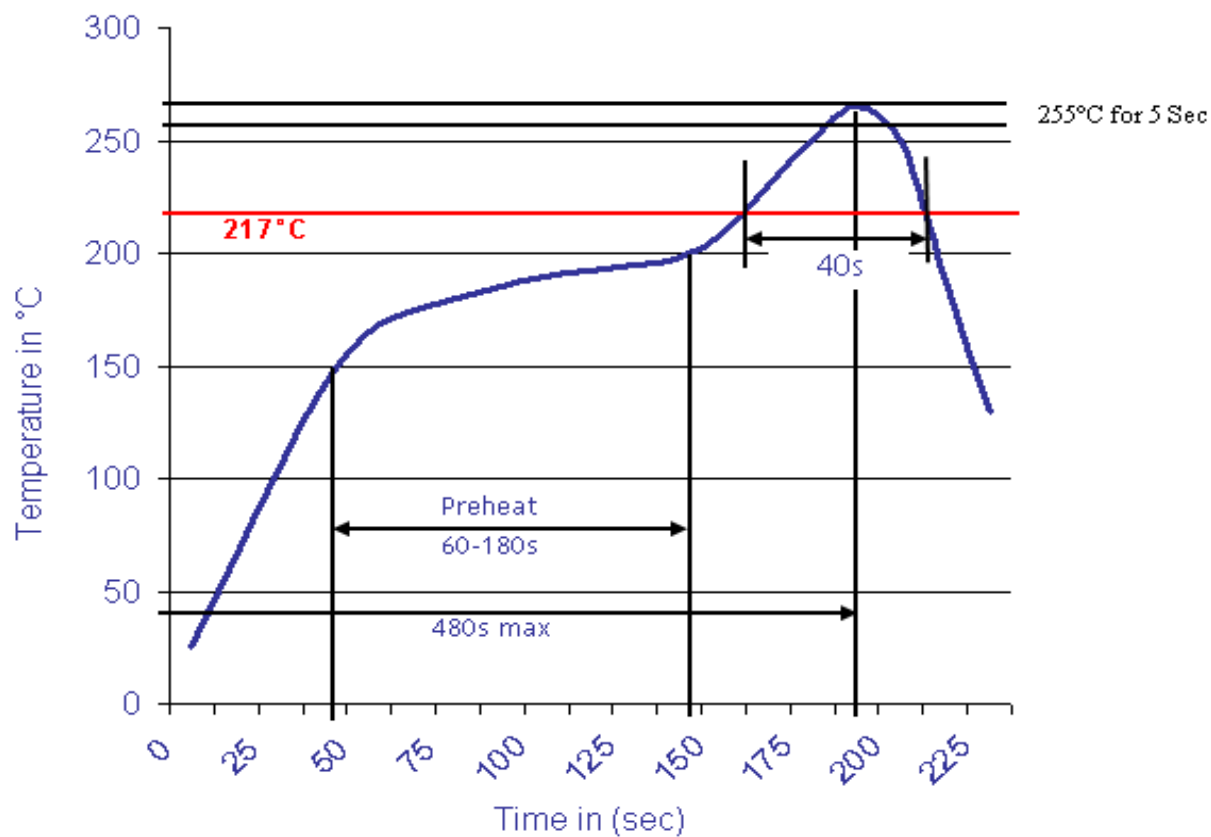
<b>Wire Protector Terminal Block</b>	
Part No.:	<b>MA520-500</b>
Customer:	

DRW:	Jason	CHKD	Wilson	MATL:	Wilson	TOLERANCE	Mason	DATE	14.02.2014
APPD:	Schumi			FINISH	Jamy		Sheet No.		3 from 4



Soldering Profile Curve

Classification Reflow Profile (JEDEC J-STD-020C)



**Wire Protector Terminal Block**

Part No.: **MA520-500**

Customer:

DRW:	Jason	CHKD	Wilson	MATL:	Wilson	TOLERANCE	Mason	DATE	14.02.2014
APPD:	Schumi			FINISH	Jamy		Sheet No.	4 from 4	