

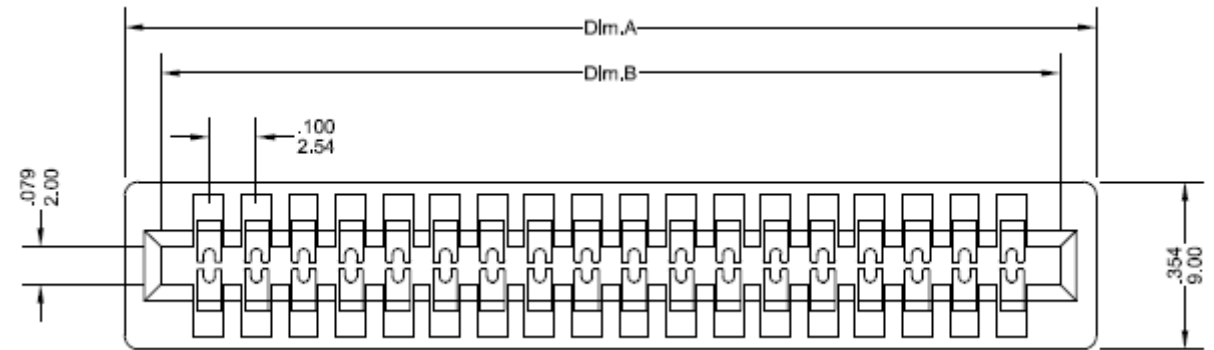
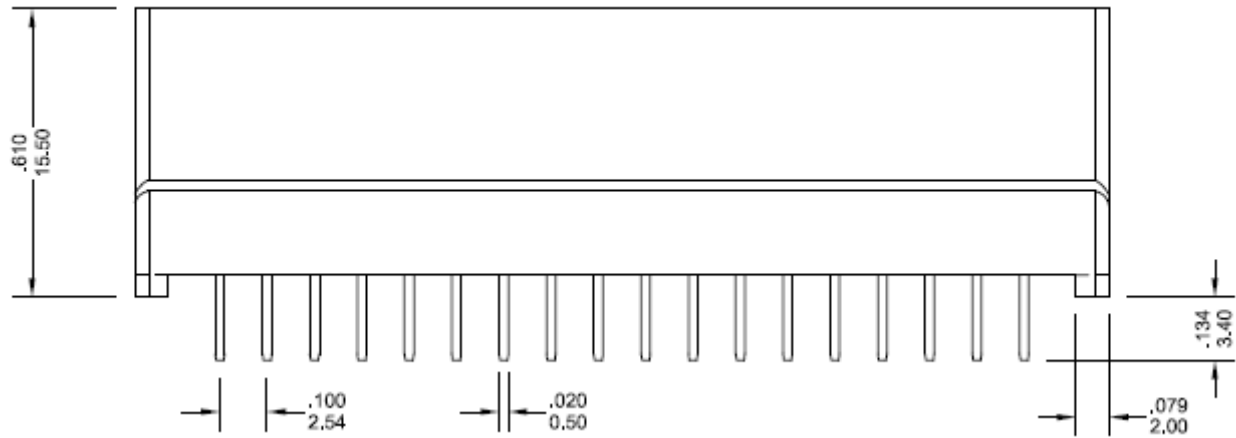
EDCON-COMPONENTS



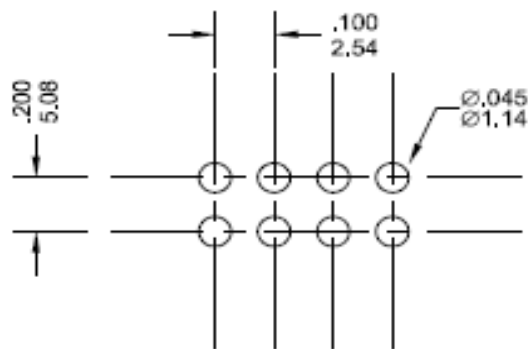
Specifications

Circuit: 04~120Pos.
 Material: PBT + 30& GF (UL94V-0) or High Temperatur Material
 High reliable, double, loop contact, which ensure redundancy, and optimum electrical performance, Foreasy insertions and extraction to PC card without damaging.
 Current Rating: 3A AC/DC
 Voltage Rating: 250VAC Maximum
 Temperatur Range: -40°C ~ +105°C
 Contact Resistance: Initial Value 10mΩ max. After environmental testing / 20mΩ max.
 Insualtion resistance: 5000MΩ min
 Withstanding Voltage: 1500VAC/minute
 Applicable Pc board Thickn 1,6mm

Drawing



P.C.B Layout



**Slot Connector Straight
Pin Pitch 2,54mm**

Part No.: **T63001**

DRW:	Jason	CHKD	Wilson	MATL:	Wilson	TOLERANCE	Mason	DATE	12.10.2015	Customer:
APPD:	Schumi			FINISH	Jamy		Sheet No.	1 from 4		

EDCON-COMPONENTS

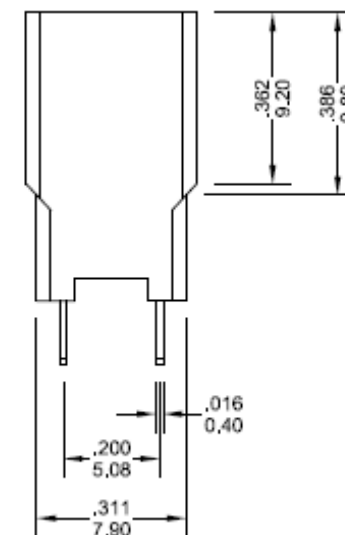


Dimension Table

Dimension ± 0,25mm		
Pos.	A	B
6	14,24	10,16
8	16,82	12,70
10	19,36	15,24
12	21,90	17,78
14	24,44	20,32
16	26,98	22,86
18	29,52	25,40
20	32,06	27,94
22	34,60	30,48
24	37,14	33,02
26	39,68	35,56
28	42,22	38,10
30	44,76	40,64
32	47,30	43,18
34	49,84	45,72
36	52,38	48,26
38	54,92	50,80
40	57,46	53,34
42	60,00	55,88
44	62,54	58,42
46	65,08	60,96
48	67,62	63,50
50	70,16	66,04
52	72,70	68,58

Dimension ± 0,25mm		
Pos.	A	B
54	75,24	71,12
56	77,78	73,66
58	80,32	76,20
60	82,86	78,74
62	85,40	81,28
64	87,94	83,82
66	90,48	86,36
68	93,02	88,90
70	95,56	91,44
72	98,10	93,98
74	100,64	96,52
76	103,18	99,06
78	105,72	101,60
80	108,26	104,14
82	110,80	106,68
84	113,34	109,22
86	115,88	111,76
88	118,42	114,30
90	120,96	116,84
92	123,50	119,38
94	126,04	121,92
96	128,58	124,46
98	131,12	127,00
100	133,66	129,54

Dimension ± 0,25mm		
Pos.	A	B
102	136,20	132,08
104	138,74	134,62
106	141,28	137,16
108	143,82	139,70
110	146,36	142,24
112	148,90	144,78
114	151,44	147,32
116	153,98	149,86
118	156,52	152,40
120	159,06	154,94



**Slot Connector Straight
Pin Pitch 2,54mm**

Part No.: **T63001**

Customer:

DRW:	Jason	CHKD	Wilson	MATL:	Wilson	TOLERANCE	Mason	DATE	12.10.2015
APPD:	Schumi			FINISH	Jamy		Sheet No.	2 from 4	

EDCON-COMPONENTS



Ordering Informations

Serie	No. of Pos.	Contact Plating	Material	Color of Body	Special function	ROHS	Packing			
T63001	004	G0	PB	BK	XXX	R	TY			

XXX= total	G0= Gold Flash	PB= PBT	BK= Black	XXX= No function	N=NO ROHS conform	BU= Bulk
	T0= Tin plated	HT= High Temperature Material	WH= White		R=ROHS conform	TU= Tube
	GA= 3µ Gold Plating					TY= Tray Packing
	GB= 5µ Gold Plating					
	GC= 10µ Gold Plating					
	GD= 30µ Gold Plating					
	S0= Selectiv Plating Gold Flash / Tin					
	SD= Selectiv Tin/ 5µGold					
	SD= Selectiv Tin/ 10µ Gold Flash					
	SD= Selectiv Tin/ 20µ Gold	SD= Selectiv Tin/ 30µ Gold	SD= Selectiv Tin/ 30µ Gold			

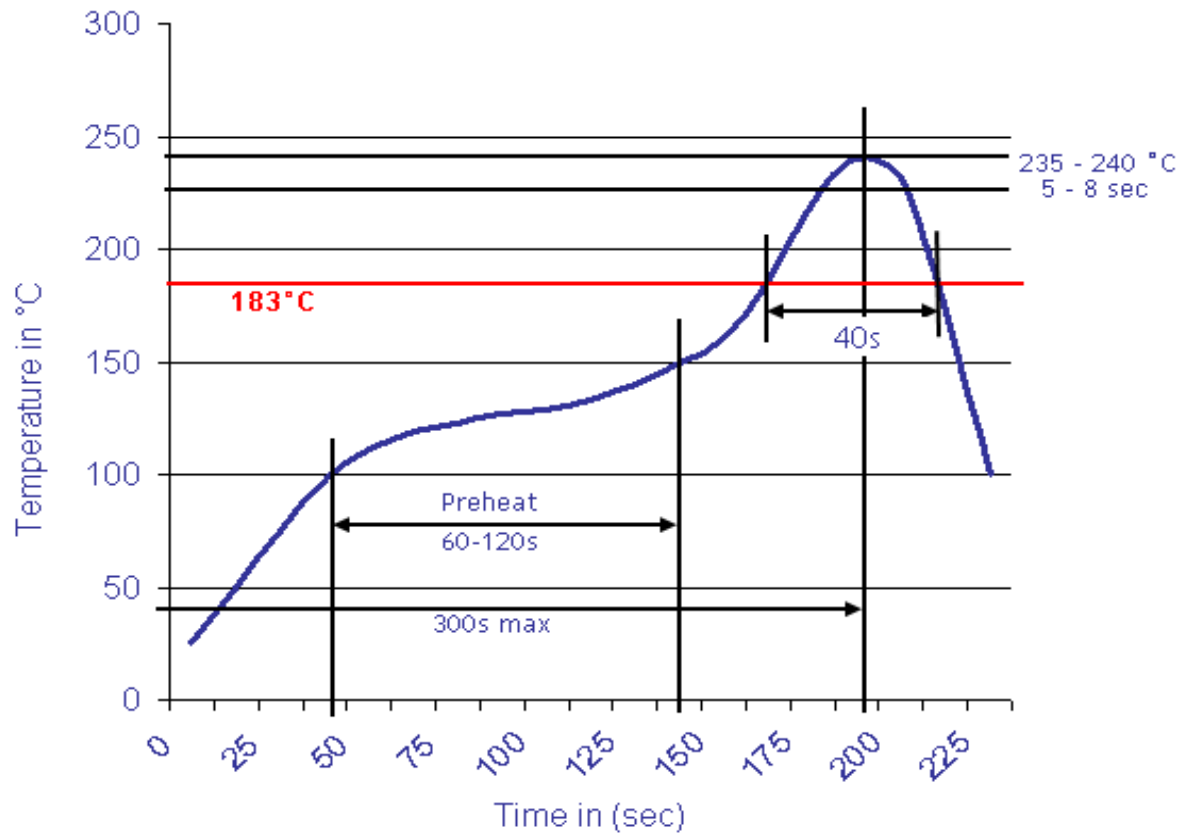
**Slot Connector Straight
Pin Pitch 2,54mm**
Part No.: **T63001**

DRW:	Jason	CHKD	Wilson	MATL:	Wilson	TOLERANCE	Mason	DATE	12.10.2015	Customer:
APPD:	Schumi			FINISH	Jamy		Sheet No.	3 from 4		



Soldering Profile Curve

Classification Reflow Profile (JEDEC J-STD-020C)



**Slot Connector Straight
Pin Pitch 2,54mm**

Part No.: **T63001**

DRW:	Jason	CHKD	Wilson	MATL:	Wilson	TOLERANCE	Mason	DATE	12.10.2015
APPD:	Schumi			FINISH	Jamy		Sheet No.	4 from 4	

Customer: