

EDCON-COMPONENTS



Specifications

Features

- Contact Positions: 09, 15, 25, 37Pos
- Right Angle US-Norm 14,84mm
- Provides ground continuity from cable to PC board
- Various options of fasten types
- Optional plating available

Materials

- Contact Brass and Phosphor Bronze
- Housing: PBT +30% Glass Fiber (UL 94V-0)
- Shell: cold roller steel

Electrical Characteristics

- Current Rating: 2,5Ampere
- Withstanding Voltage: AC 1000V r.m.s.
- Insulation Resistance: 3000 Megaohms Minimum at DC500V
- Contact Resistance: 15 Milliohm Maximum
- Operation Temperature: -55°C ~ +105°C

Mechanical Characteristics:

- Contact Resistance Force: 341gr. Maximum
- Contact Separation Force: 20gr. Minimum

Finishes:

- Contact Plating (look Order Code)
- Shell Plating (look order code)

Dimensions (mm)

Male

Dim.	9	15	25	37	
A	30,80	39,20	53,05	69,40	
B	25,00	33,30	47,05	63,50	
C	16,90	25,25	38,95	55,40	

Female

Dim.	9	15	25	37	
A	30,80	39,20	53,05	69,40	
B	25,00	33,30	47,05	63,50	
C	16,30	24,60	38,35	54,80	

**D-Sub Connector Right angle
EURO-Norm 14,84mm**

Part No.: **T24E700**

Customer:

DRW:	Jason	CHKD	Wilson	MATL:	Wilson	TOLERANCE	Mason	DATE	13.01.2015
APPD:	Schumi			FINISH	Jamy		Sheet No.		1 from 5

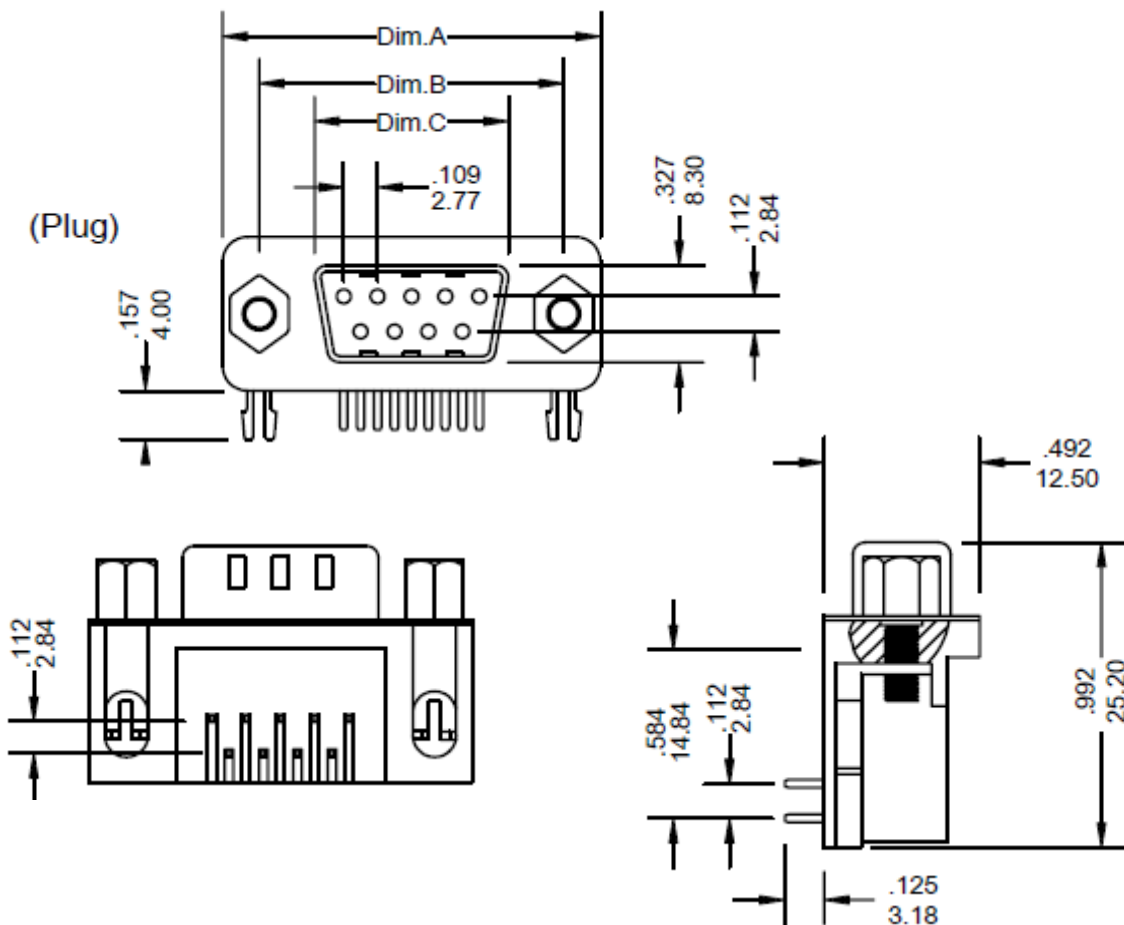
www.edcon-components.com

email: info@edcon-components.com

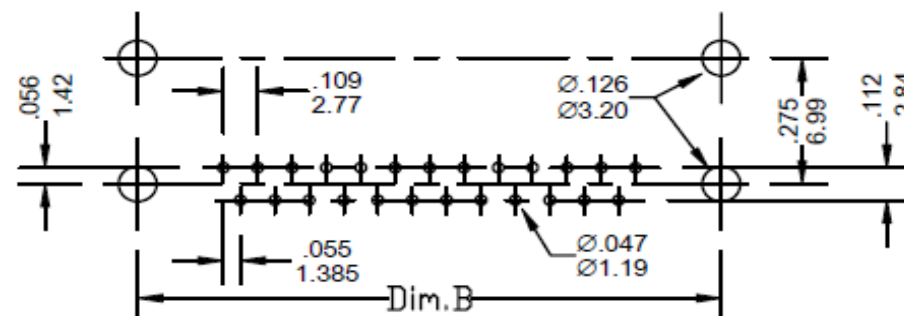
EDCON-COMPONENTS



Male Contact



P.C.B. Layout



**D-Sub Connector Right angle
EURO-Norm 14,84mm**

Part No.: **T24E700**

DRW:	Jason	CHKD	Wilson	MATL:	Wilson	TOLERANCE	Mason	DATE	13.01.2015
APPD:	Schumi			FINISH	Jamy		Sheet No.	2 from 5	

Customer:

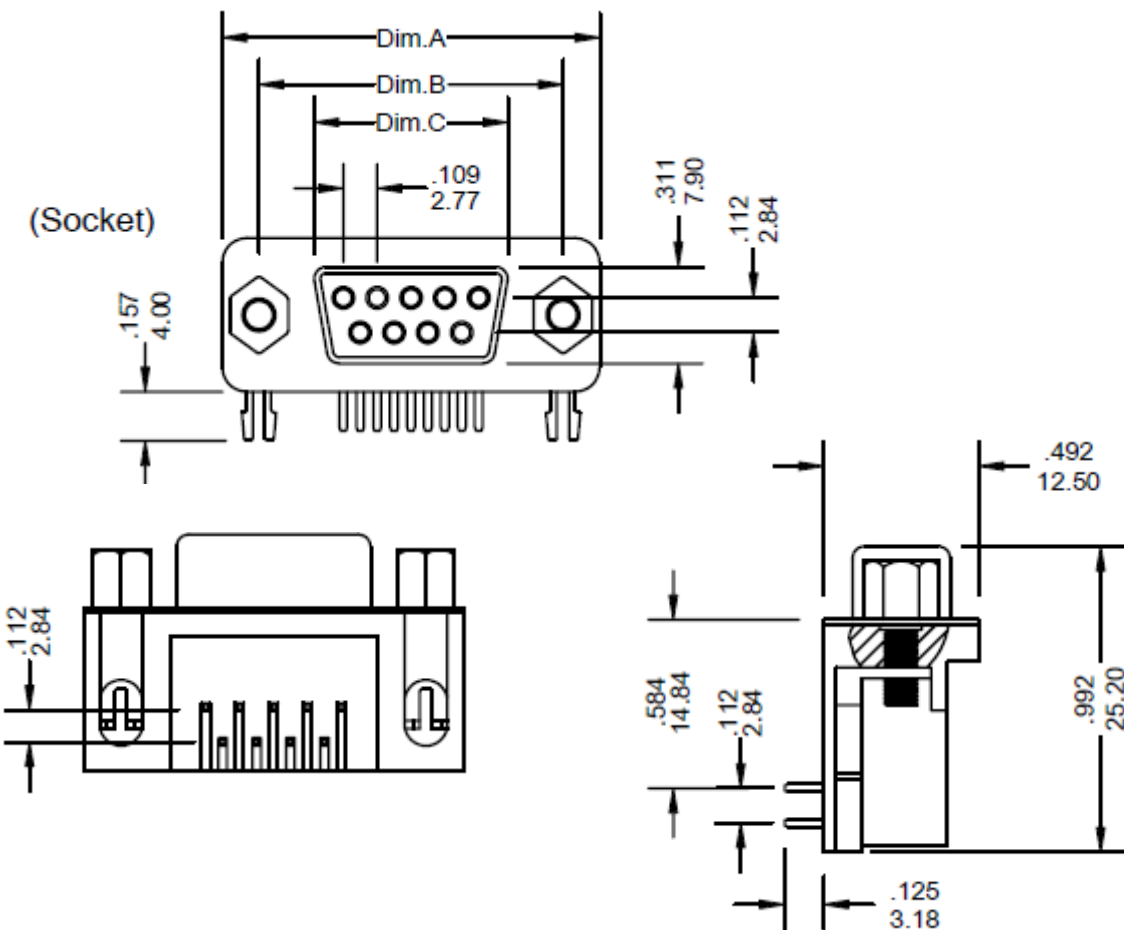
www.edcon-components.com

email: info@edcon-components.com

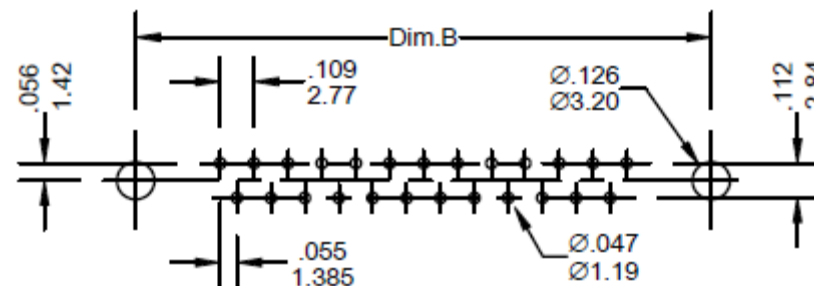
EDCON-COMPONENTS



Female Contact



P.C.B. Layout



**D-Sub Connector Right angle
EURO-Norm 14,84mm**

Part No.: **T24E700**

Customer:

DRW:	Jason	CHKD	Wilson	MAIL:	Wilson	TOLERANCE	Mason	DATE	13.01.2015
APPD:	Schumi			FINISH	Jamy		Sheet No.		3 from 5

www.edcon-components.com

email: info@edcon-components.com

EDCON-COMPONENTS



Ordering Informations

Serie	No. of contacts.	Contact Type	Shell Finish	PCB Options	Options 1	Screw Options	Contact Plating	Plastic Color	ROHS	Packing
-------	------------------	--------------	--------------	-------------	-----------	---------------	-----------------	---------------	------	---------

T24E700	09	M	T	B	0	A	SF	BK	R	TY
----------------	-----------	----------	----------	----------	----------	----------	-----------	-----------	----------	-----------

09= Contacts	M= Male	T= Tin	A= w. Boardlock Z-Shape	0= no options	A= w/o UNC4-40 screw	SF= Selective Gold flash	BK= Black	R= ROHS Conform	TY= Tray Packing
09 ~ 37 contacts	F= Female	N= Nickel	B= Rivet w. Boardlock Z-Shape		B= added UNC4-40 screw	SA= 5µ Selective Gold flash		N= NON ROHS Conform	BU= Bulk-Ware
			C= Rivet only		C= w. fixed UNC4-40 screw	SB= 10µ Selective Gold flash			
			D= Non Thread L-Shape			SC= 15µ Selective Gold flash			
			D= Rivet w. Non Thread L-Shape			SD= 30µ Selective Gold flash			
			E= Rivet w 4-40 Thread L-Shape	G= 4-Prong Boardlock		Gf= Gold flash			
			F= Rivet w M3 Thread L-Shape	H= Rivet w. 4 Prong Boardlock					

**D-Sub Connector Right angle
EURO-Norm 14,84mm**
Part No.: **T24E700**

DRW:	Jason	CHKD	Wilson	MATL:	Wilson	TOLERANCE	Mason	DATE	13.01.2015	Customer:
APPD:	Schumi			FINISH	Jamy		Sheet No.	4 from 5		



Soldering Profile Curve

Classification Reflow Profile (JEDEC J-STD-020C)



D-Sub Connector Right angle EURO-Norm 14,84mm	
Part No.:	T24E700
Customer:	

DRW:	Jason	CHKD	Wilson	MATL:	Wilson	TOLERANCE	Mason	DATE	13.01.2015
APPD:	Schumi			FINISH	Jamy		Sheet No.	5 from 5	