

# EDCON-COMPONENTS



## Specifications

### Features

Contact Positions: 09, 15, 25, 37  
 Plus a ferrite plate as a high frequency anti noise interlace with digital equipments  
 It performs like a low pass filter that removes noises in the high frequency range 100-300Mhz.  
 Various types of fasten option Idela for handling speed signals Prevention of EMI/RFI.  
 Designed for use with data signal carrying device.

### Materials

Contact Brass  
 Housing: PBT +30% Glass Fiber (UL 94V-0)  
 Shell: cold roller steel

### Electrical Characteristics

Current Rating: 5Ampere  
 Withstanding Voltage: AC 1250V r.m.s.  
 Insulation Resistance: 5000 Megaohms Minimum at DC500V  
 Contact Resistance: 15 Milliohm Maximum  
 Operation Temperature: -55°C ~ +105°C  
 Applicable: P.C. Board thickness: (1,6mm)

### Mechanical Characteristics:

Contact Resistance Force: 341gr. Maximum  
 Contact Separation Force: 20gr. Minimum

### Finishes:

Contact Plating ( look Order Code)  
 Shell Plating ( look order code)

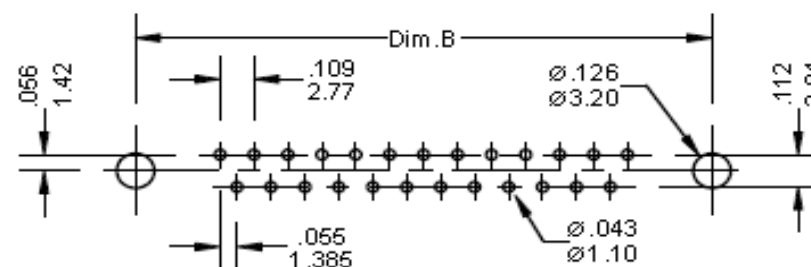
### Dimensions (mm)

| Male Contact |       |       |       |       |  |
|--------------|-------|-------|-------|-------|--|
| Pos.         | 9     | 15    | 25    | 37    |  |
| Dim.A        | 30,80 | 39,20 | 53,05 | 69,40 |  |
| Dim.B        | 25,00 | 33,30 | 47,05 | 63,50 |  |
| Dim.C        | 16,90 | 25,25 | 38,95 | 55,40 |  |

### Female Contact

| Pos.  | 9     | 15    | 25    | 37    |  |
|-------|-------|-------|-------|-------|--|
| Dim.A | 30,80 | 39,20 | 53,05 | 69,40 |  |
| Dim.B | 25,00 | 33,30 | 47,05 | 63,50 |  |
| Dim.C | 16,30 | 24,60 | 38,35 | 54,80 |  |

### P.C.B. Layout



**D-Sub Connector Straight Pin  
for PCB with EMI-Filter**

Part No.: **T24E300**

Customer:

|       |        |      |        |        |        |           |           |          |            |
|-------|--------|------|--------|--------|--------|-----------|-----------|----------|------------|
| DRW:  | Jason  | CHKD | Wilson | MATL:  | Wilson | TOLERANCE | Mason     | DATE     | 10.04.2009 |
| APPD: | Schumi |      |        | FINISH | Jamy   |           | Sheet No. | 1 from 4 |            |

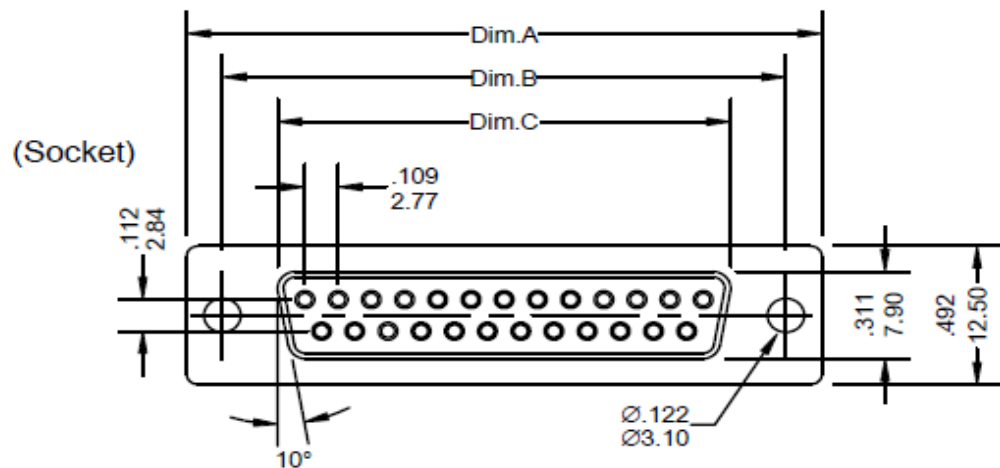
[www.edcon-components.com](http://www.edcon-components.com)

email: [info@edcon-components.com](mailto:info@edcon-components.com)

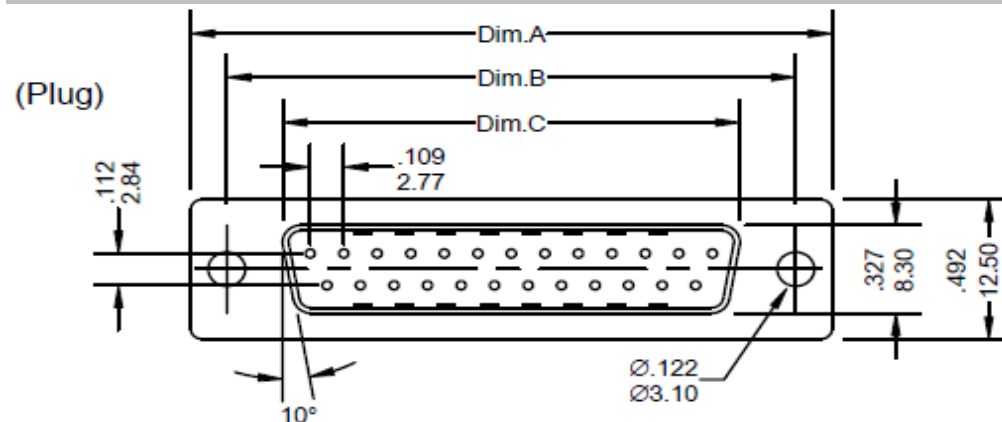
# EDCON-COMPONENTS



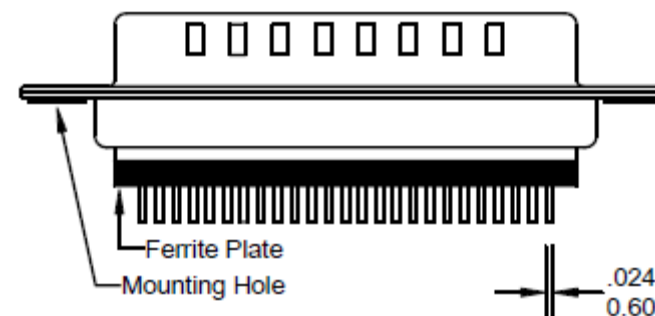
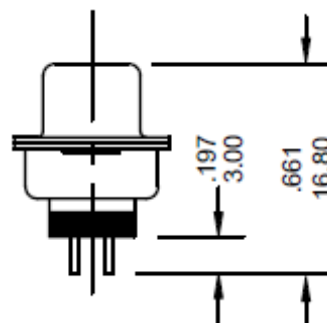
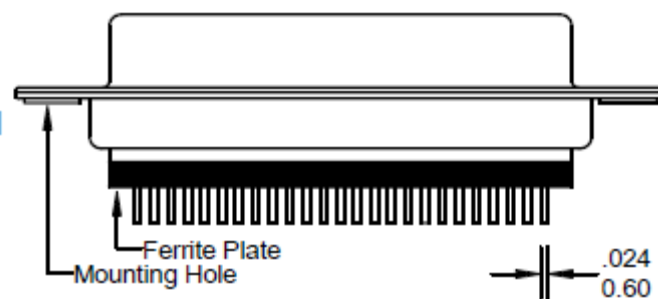
**Female Contact**



**Male Contact**



UNIT: INCH  
MM



**D-Sub Connector Straight Pin  
for PCB with EMI-Filter**

Part No.: **T24E300**

|       |        |      |        |        |        |           |           |          |            |
|-------|--------|------|--------|--------|--------|-----------|-----------|----------|------------|
| DRW:  | Jason  | CHKD | Wilson | MATL:  | Wilson | TOLERANCE | Mason     | DATE     | 10.04.2009 |
| APPD: | Schumi |      |        | FINISH | Jamy   |           | Sheet No. | 2 from 4 | Customer:  |

[www.edcon-components.com](http://www.edcon-components.com)

email: [info@edcon-components.com](mailto:info@edcon-components.com)

# EDCON-COMPONENTS



## Ordering Informations

| Serie          | No. of contacts. | Contact Type | Shell Finish | Mounting Options | No function | No function | Contact Plating | Plastic Color | ROHS     | Packing   |
|----------------|------------------|--------------|--------------|------------------|-------------|-------------|-----------------|---------------|----------|-----------|
| <b>T24E300</b> | <b>09</b>        | <b>F</b>     | <b>T</b>     | <b>A</b>         | <b>0</b>    | <b>0</b>    | <b>GF</b>       | <b>BK</b>     | <b>R</b> | <b>TY</b> |

|                                |                  |                  |   |  |  |                                     |                                     |                            |                         |
|--------------------------------|------------------|------------------|---|--|--|-------------------------------------|-------------------------------------|----------------------------|-------------------------|
| <b>09=</b> Contacts            | <b>F=</b> Female | <b>N=</b> Nickel | <b>A=</b> Through Hole                      |  |  | <b>GF=</b> Gold Flash               | <b>BK=</b> Black                    | <b>R=</b> ROHS Conform     | <b>TY=</b> Tray Packing |
| <b>09, 15, 25, 37</b> Contacts | <b>M=</b> Male   | <b>T=</b> Tin    | <b>B=</b> Thread Insert UNC-40              |  |  | <b>GA=</b> 10µ Gold                 | <b>WH=</b> White                    | <b>N=</b> NON ROHS Conform | <b>BU=</b> Bulk-Ware    |
|                                |                  |                  | <b>C=</b> Rived Nuts UNC 4-40 on Rear Side  |  |  | <b>GB=</b> 15µ Gold                 | <b>BL=</b> Blue                     |                            |                         |
|                                |                  |                  | <b>D=</b> Rived Nuts UNC 4-40 on Front Side |  |  | <b>GC=</b> 30µ Gold                 | <b>GY=</b> Gray                     |                            |                         |
|                                |                  |                  |   |  |  | <b>GD=</b> 50µ Gold                 |                                     |                            |                         |
|                                |                  |                  |   |  |  | <b>SF=</b> Selective Gold flash     |                                     |                            |                         |
|                                |                  |                  |   |  |  | <b>SA=</b> 5µ Selective Gold flash  |                                     |                            |                         |
|                                |                  |                  |   |  |  | <b>SB=</b> 10µ Selective Gold flash |                                     |                            |                         |
|                                |                  |                  |   |  |  | <b>SC=</b> 15µ Selective Gold flash | <b>SD=</b> 30µ Selective Gold flash |                            |                         |

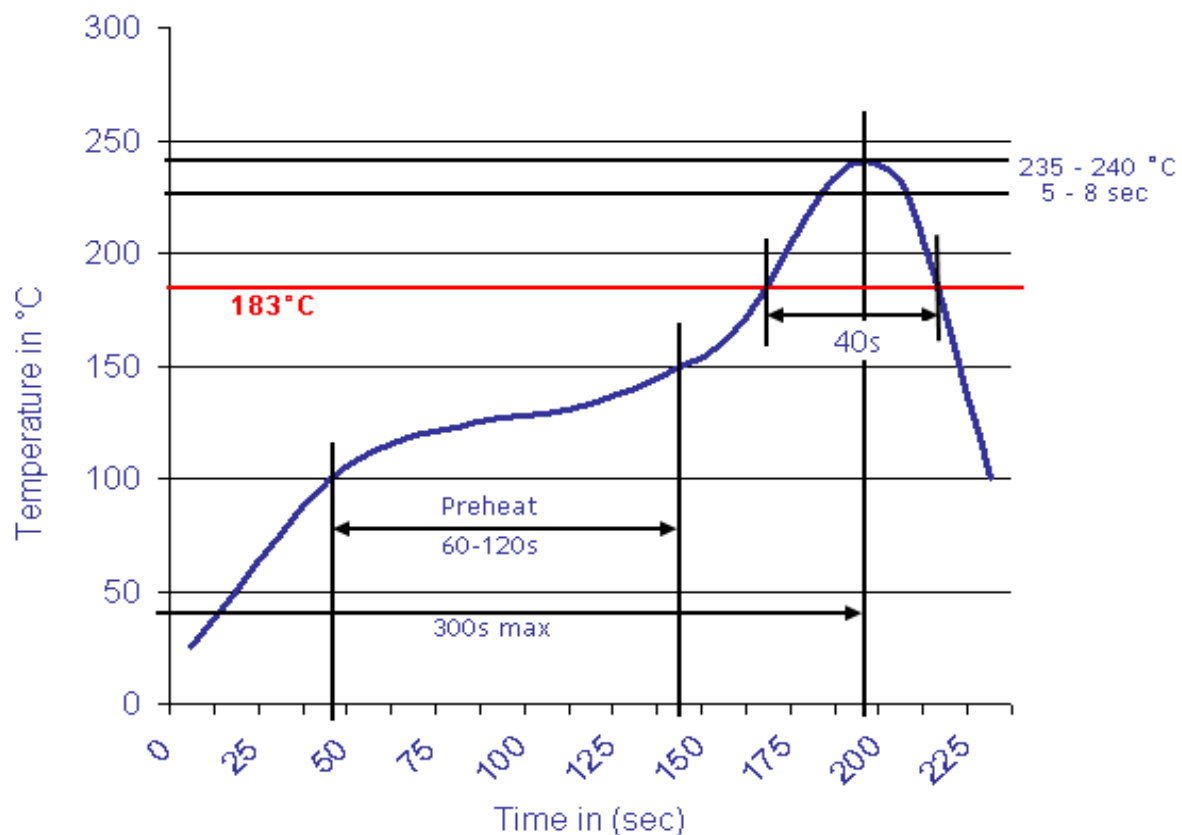
**D-Sub Connector Straight Pin for PCB with EMI-Filter**  
Part No.: **T24E300**

|       |        |      |        |        |        |           |       |           |            |           |
|-------|--------|------|--------|--------|--------|-----------|-------|-----------|------------|-----------|
| DRW:  | Jason  | CHKD | Wilson | MATL:  | Wilson | TOLERANCE | Mason | DATE      | 10.04.2009 | Customer: |
| APPD: | Schumi |      |        | FINISH | Jamy   |           |       | Sheet No. | 3 from 4   |           |



Soldering Profile Curve

Classification Reflow Profile (JEDEC J-STD-020C)



|   |                |
|---|----------------|
| <b>D-Sub Connector Straight Pin<br/>for PCB with EMI-Filter</b> |                |
| Part No.:   | <b>T24E300</b> |
| Customer:   |                |

|       |        |      |        |        |        |           |           |          |            |
|-------|--------|------|--------|--------|--------|-----------|-----------|----------|------------|
| DRW:  | Jason  | CHKD | Wilson | MATL:  | Wilson | TOLERANCE | Mason     | DATE     | 10.04.2009 |
| APPD: | Schumi |      |        | FINISH | Jamy   |           | Sheet No. | 4 from 4 |            |