

# EDCON-COMPONENTS



## Specifications

### Features

Contact Positions: 15, 26, 44, 62  
 Designed for different electronic equipments  
 For high reliability and high density packing  
 Optional plating available  
 Mates with industry compatible connectors

### Materials

Contact Brass  
 Housing: PBT +30% Glass Fiber (UL 94V-0)  
 Shell: cold roller steel

### Electrical Characteristics

Current Rating: 5Ampere  
 Withstanding Voltage: AC 1250V r.m.s.  
 Insulation Resistance: 5000 Megaohms Minimum at DC500V  
 Contact Resistance: 15 Milliohm Maximum  
 Operation Temperature: -55°C ~ +105°C  
 Applicable: P.C. Board thickness: (1,6mm)  
 Applicable wire # 20AWG ~ 28AWG

### Mechanical Characteristics:

Contact Resistance Force: 341gr. Maximum  
 Contact Separation Force: 20gr. Minimum

### Finishes:

Contact Plating ( look Order Code)  
 Shell Plating ( look order code)

## Dimensions (mm)

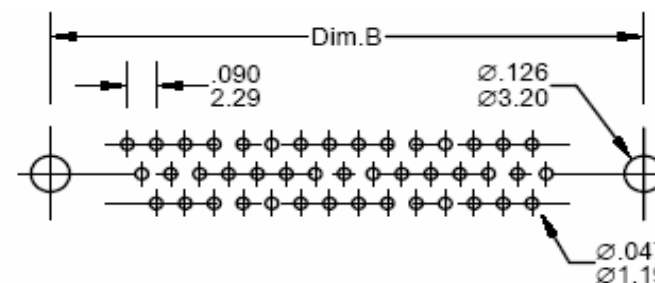
### Male Contact

Pos.	15	26	44	62
Dim.A	30,80	39,20	53,05	69,40
Dim.B	25,00	33,30	47,05	63,50
Dim.C	16,30	24,60	38,35	54,87

### Female Contact

Pos.	15	26	44	62
Dim.A	30,80	39,20	53,05	69,40
Dim.B	25,00	33,30	47,05	63,50
Dim.C	16,90	25,25	38,95	55,40

## P.C.B. Layout



**D-Sub High Density Connector  
Right Angle PCB**

Part No.: **T23003**

Customer:

DRW:	Jason	CHKD	Wilson	MATL:	Wilson	TOLERANCE	Mason	DATE	26.01.2015
APPD:	Schumi			FINISH	Jamy		Sheet No.	1 from 4	

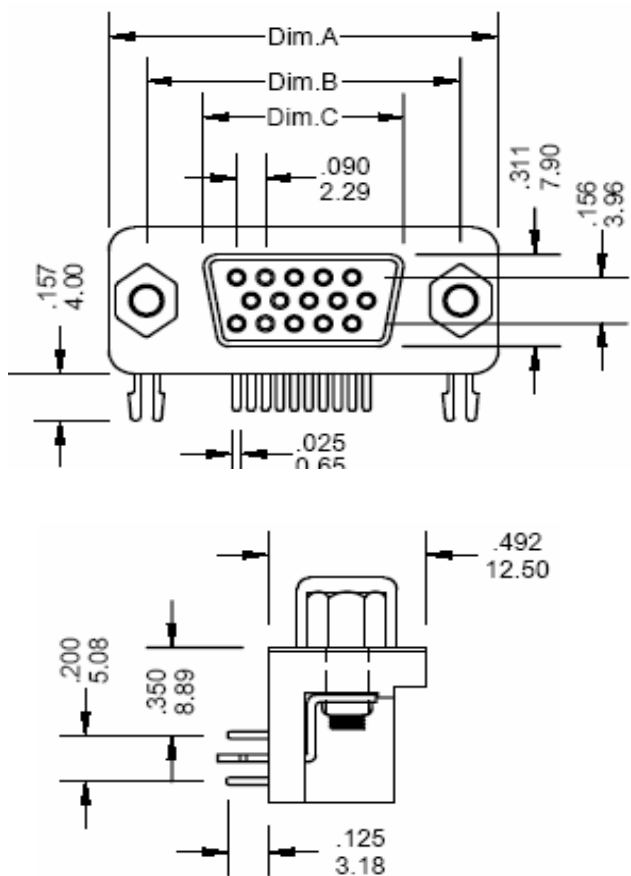
[www.edcon-components.com](http://www.edcon-components.com)

email: [info@edcon-components.com](mailto:info@edcon-components.com)

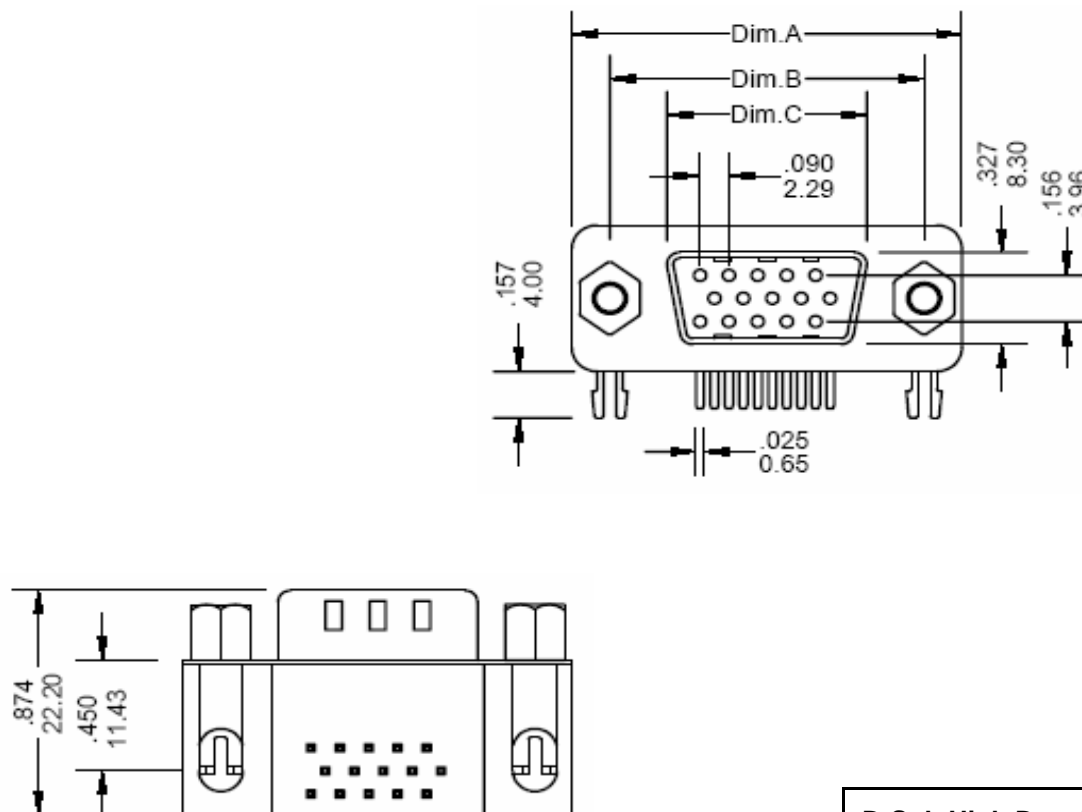
# EDCON-COMPONENTS



**Female Contact**



**Male Contact**



**D-Sub High Density Connector  
Right Angle PCB**

Part No.: **T23003**

DRW:	Jason	CHKD	Wilson	MATL:	Wilson	TOLERANCE	Mason	DATE	26.01.2015
APPD:	Schumi			FINISH	Jamy		Sheet No.	2 from 4	

Customer:

# EDCON-COMPONENTS



## Ordering Informations

Serie	No. of contacts.	Contact Type	Shell Finish	Mounting Options	No function	No function	Contact Plating	Plastic Color	ROHS	Packing
<b>T23003</b>	<b>15</b>	<b>F</b>	<b>T</b>	<b>A</b>	<b>0</b>	<b>A</b>	<b>GF</b>	<b>WH</b>	<b>R</b>	<b>TY</b>

<b>15=</b> Contacts	<b>F=</b> Female	<b>T=</b> Tin	<b>A=</b> w. Boradlock Z-Shape		<b>A=</b> w/o UNC 4-40 screw	<b>GF=</b> Gold Flash	<b>WH=</b> White	<b>R=</b> ROHS Conform	<b>TY=</b> Tray Packing
<b>15, 26, 44, 62, 78</b> Contacts	<b>M=</b> Male	<b>N=</b> Nickel	<b>B=</b> Rivet w. Boardlock Z-Shape		<b>B=</b> added UNC 4-40 screw	<b>GA=</b> 10µ Gold	<b>BK=</b> Black	<b>N=</b> NON ROHS Conform	<b>BU=</b> Bulk-Ware
			<b>C=</b> Rivet only		<b>C=</b> fixed UNC 4-40 screw	<b>GB=</b> 15µ Gold	<b>BL=</b> Blue		
			<b>D=</b> with L-Shape			<b>GC=</b> 30µ Gold	<b>GY=</b> Gray		
						<b>GD=</b> 50µ Gold			
						<b>SF=</b> Selective Gold flash			
						<b>SA=</b> 5µ Selective Gold flash			
						<b>SB=</b> 10µ Selective Gold flash			
						<b>SC=</b> 15µ Selective Gold flash	<b>SD=</b> 30µ Selective Gold flash		

**D-Sub High Density Connector  
Right Angle PCB**  
Part No.: **T23003**

DRW:	Jason	CHKD	Wilson	MATL:	Wilson	TOLERANCE	Mason	DATE	26.01.2015	Customer:
APPD:	Schumi			FINISH	Jamy			Sheet No.	3 from 4	



Soldering Profile Curve

Classification Reflow Profile (JEDEC J-STD-020C)



**D-Sub High Density Connector  
Right Angle PCB**

Part No.: **T23003**

Customer:

DRW:	Jason	CHKD	Wilson	MATL:	Wilson	TOLERANCE	Mason	DATE	26.01.2015
APPD:	Schumi			FINISH	Jamy		Sheet No.	4 from 4	