

EDCON-COMPONENTS



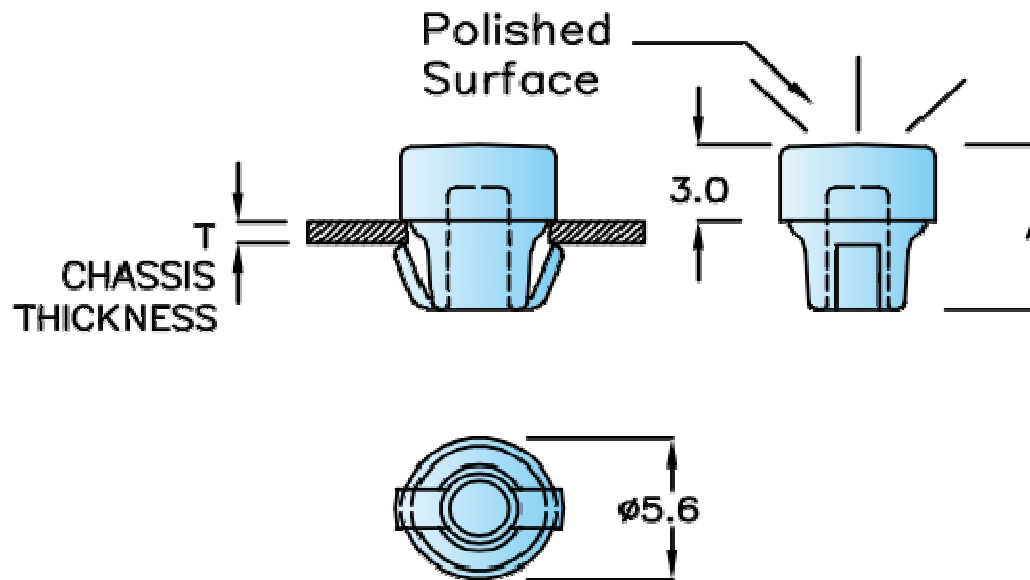
Technical Description

Material: PC (UL)
 Flame Class: Class 94V-2
 Color: Clear

T= Chassis Thickness
 E= Hole in Chassis

Drawing

Dimension (mm)				
Order Code	A	Hole	T	
A01	6,5	5,00	0,9	



Light Pipe
Part No.: N24027
Customer:

DRW: Jason	CHKD: Wilson	MATL: Wilson	TOLERANCE: Mason	DATE: 31.05.2014
APPD: Schumi		FINISH: Jamy	Sheet No.	1 from 2

EDCON-COMPONENTS



Ordering Informations

Serie	Order Code	Spezial Funktion	ROHS	Packing						
-------	------------	---------------------	------	---------	--	--	--	--	--	--

N24027	A01	0	R	BU						
---------------	------------	----------	----------	-----------	--	--	--	--	--	--

A01 = Order Code Look table	0 = No function	R = ROHS Conform	BU = Bulk- Ware
			IV = Individual Package

Light Pipe
Part No.: N24027
Customer:

DRW:	Jason	CHKD	Wilson	MATL:	Wilson	TOLERANCE	Mason	DATE	31.05.2014
APPD:	Schumi			FINISH	Jamy			Sheet No.	2 from 2