



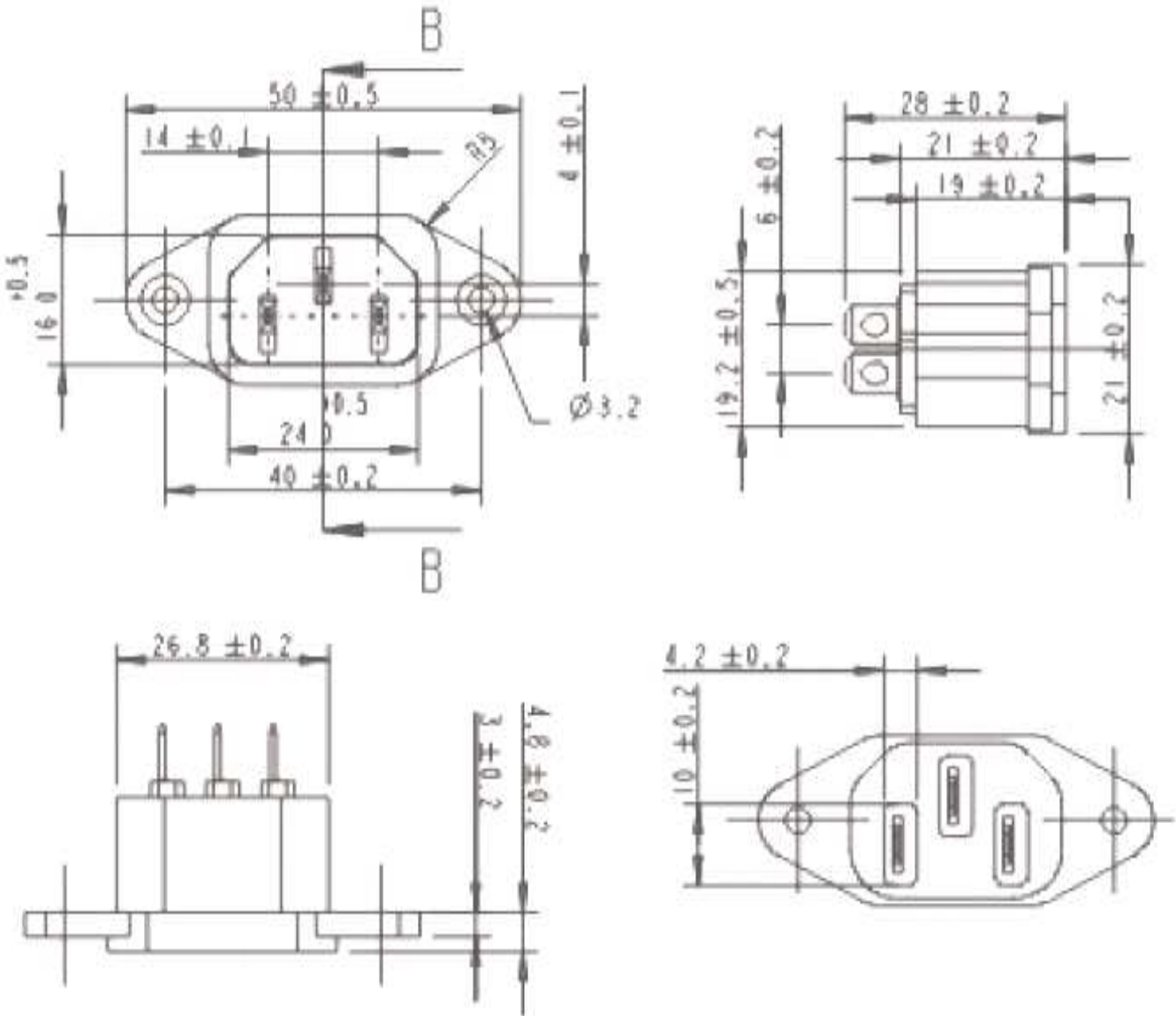
Item T11001

Technical Specifications:

Dielectric Strength:
 Insulation Resistance:
 Contact Resistance:
 Heat Resistance:
 Forming Strength of Contact and Body:
 Strength of Screw Mounting:
 Impact Test:
 Rating:

AC 3000V-60Sec.. Between Poles
 Between Poles les by DC500V Min 1000 M Ohm
 Attached to Power Connector Max 50 M @ AT 10A
 100 +/- 5°C for 1 Hrs.
 Static Load of 10 Pounds / 60Sec.
 Rotational Torque of 8KG/CM. 5Sec.
 0,5KG 1 Times According to UI1950
 250VAC / 10A (2,5A)

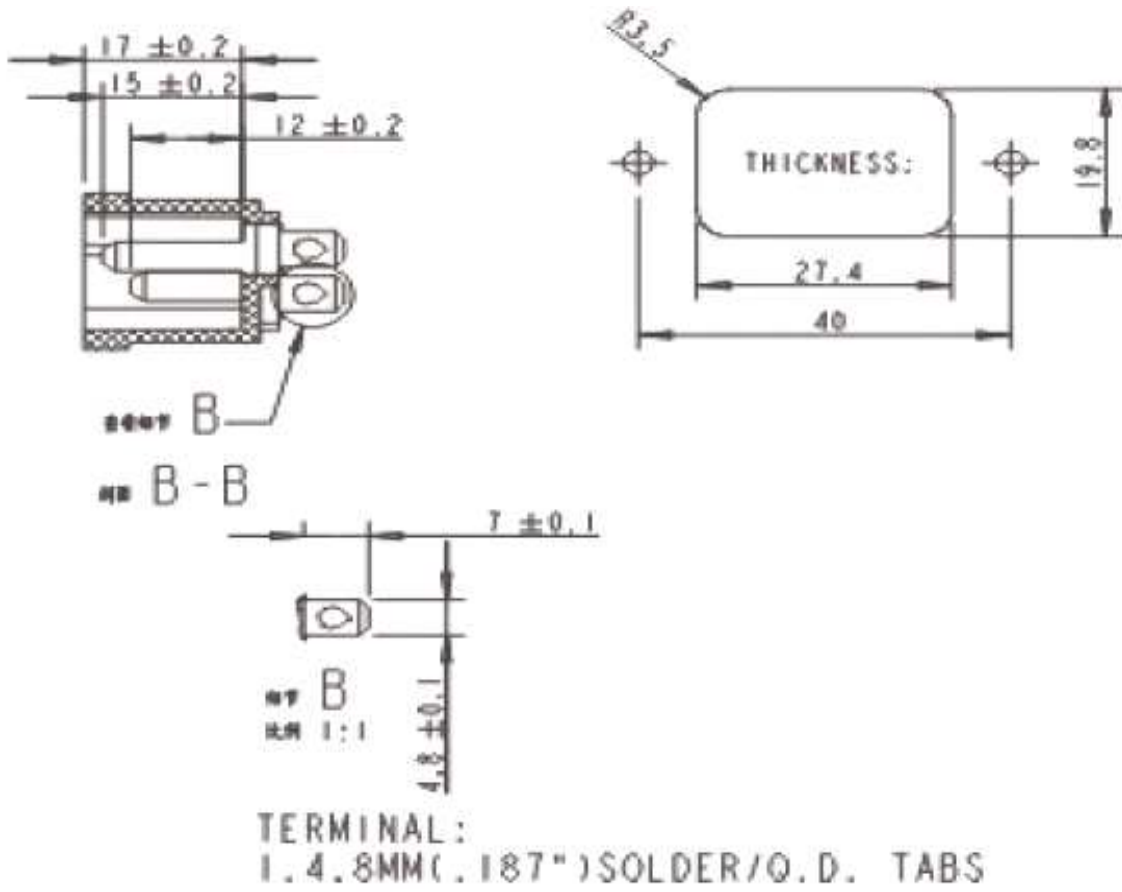
Technical Drawing:



Item T11001



Item T11001



Item T11001

Ordering Informations:

Serie	Terminal					
T11001	A					

A= 4,8mm

