

EDCON-COMPONENTS

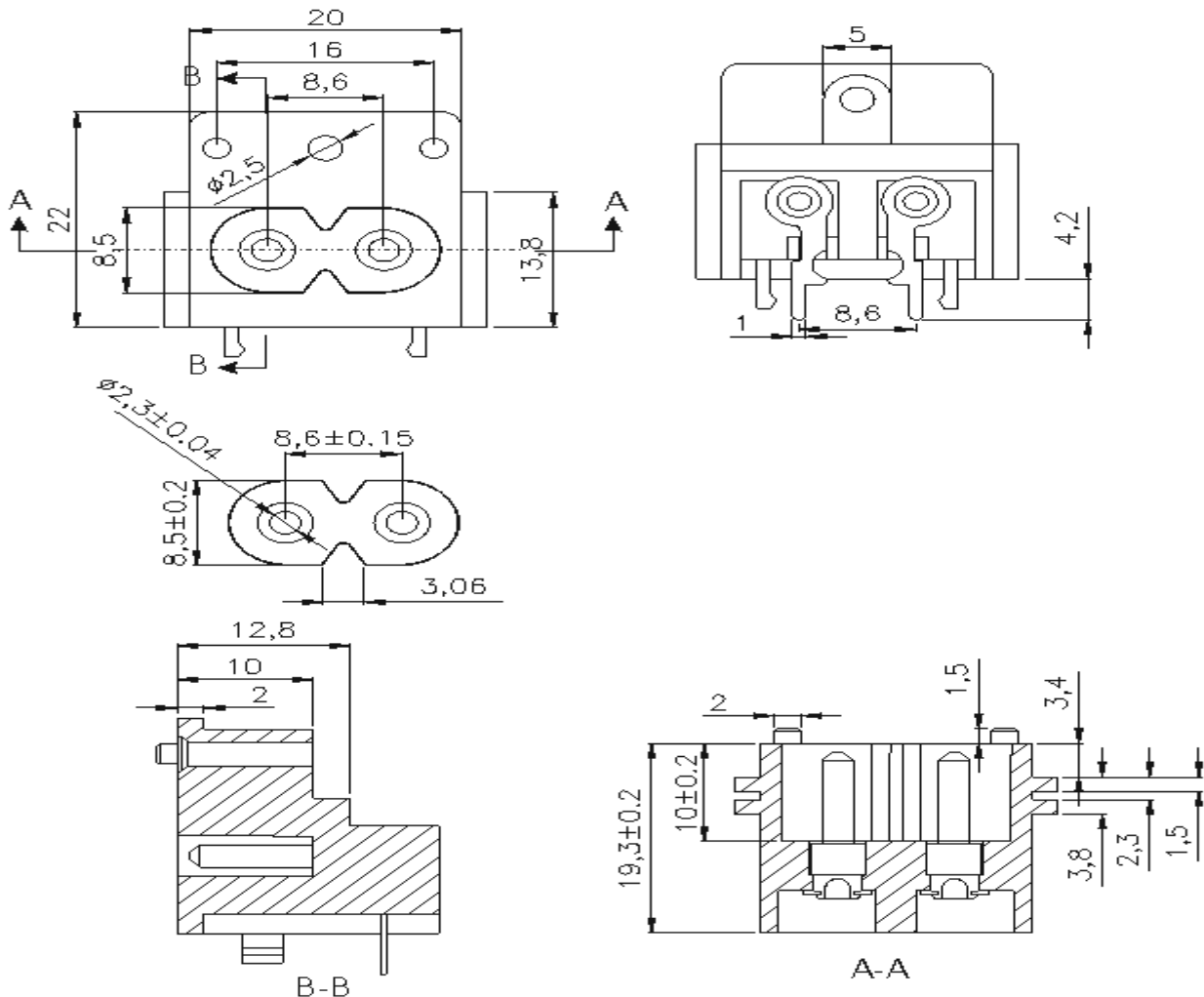


Ac-Socket: ESS3703

■ SPECIFICATIONS

DIELECTRIC STRENGTH	AC 3000V-60sec. BETWEEN POLES
INSULATION RESISTANCE	BETWEEN POLE SBY DC 500V MIN1000M Ω
CONTACT RESISTANCE	ATTACHED TO POWER CONNECTOR MAX 50 M Ω AT 10A
HEAT RESISTANCE	100 \pm 5C FOR 1Hr
FORMING STRENGTH OF CONTACT AND BODY	STATIC LOAD OF 10 POUNDS/60sec
STRENGTH OF SCREW MOUNTING	ROTATIONAL TORQUE OF 8KG/CM. 5sec
IMPACT TEST	0.5KG 1 TIMES ACCORDING TO U11950
RATING	250VAC 10A(2.5A)

■ DIMENSIONS



Copyright © by EDCON-COMPONENTS Marco Schmitz 28.09.2007