

# EDCON-COMPONENTS

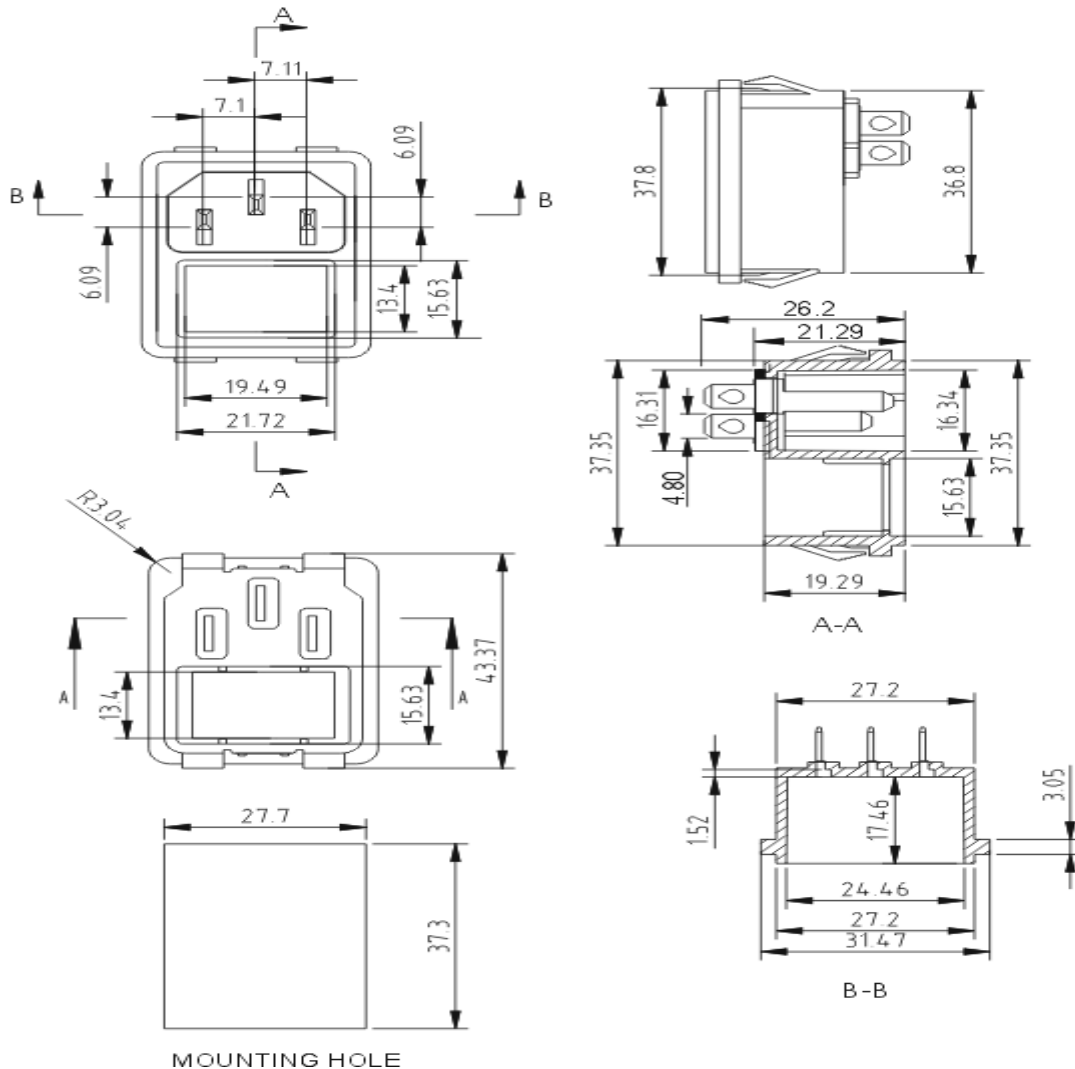


Ac-Socket: ESS303-2

## ■ SPECIFICATIONS

DIELECTRIC STRENGTH	AC3000V-60sec. BETWEEN POLES
INSULATION RESISTANCE	BETWEEN POLES BY DC 500V MIN 1000M $\Omega$
CONTACT RESISTANCE	ATTACHED TO POWER CONNECTOR MAX 50 M $\Omega$ AT 10A
HEAT RESISTANCE	100 $\pm$ 5 $^{\circ}$ C FOR 1Hr
FORMING STRENGTH OF CONTACT AND BODY	STATIC LOAD OF 10 POUNDS/60sec
STRENGTH OF SCREW MOUNTING	ROTATIONAL TORQUE OF 8KG/CM . 5sec
IMPACT TEST	0.5KG 1 TIMES ACCORDING TO UI 950
RATING	250VAC 10A

## ■ DIMENSIONS



Copyright © by EDCON-COMPONENTS Marco Schmitz 28.09.2007