

# EDCON-COMPONENTS

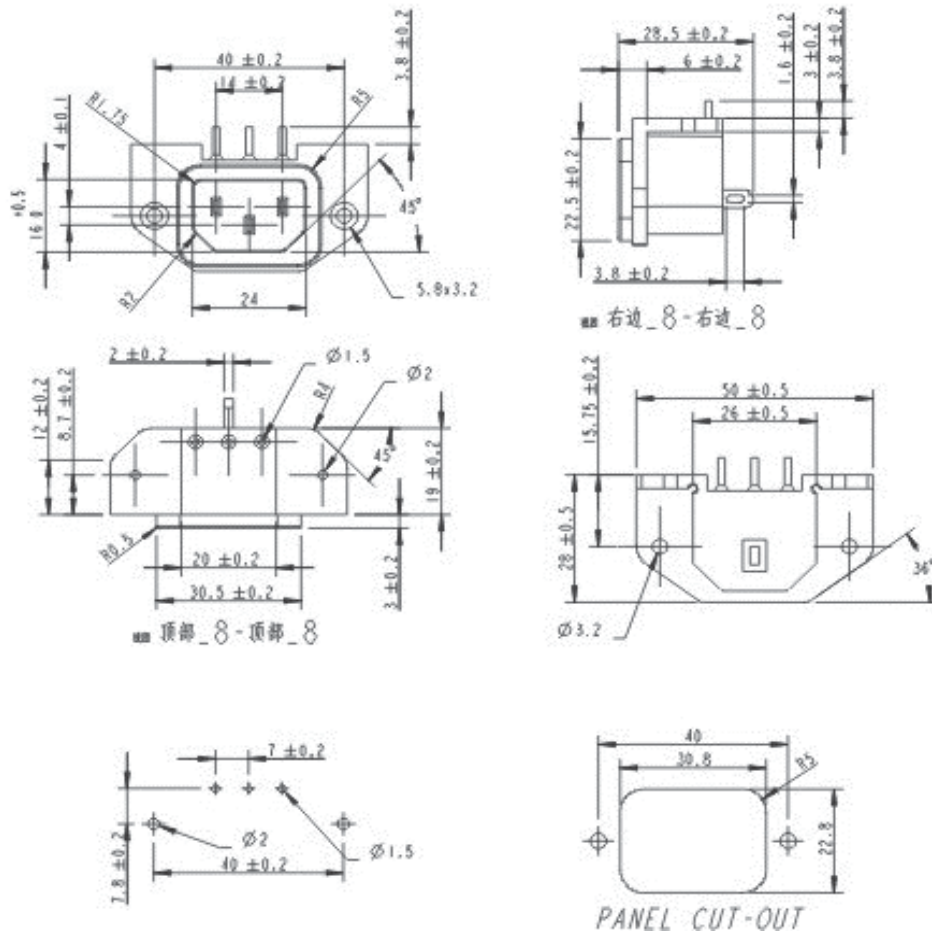


Ac-Socket: ESS301-2

## ■SPECIFICATIONS

|                                      |   |
|--------------------------------------|---|
| DIELECTRIC STRENGTH                  | AC3000V-60sec. BETWEEN POLES                |
| INSULATION RESISTANCE                | BETWEEN POLES BY DC500V MIN 1000MΩ          |
| CONTACT RESISTANCE                   | ATTACHED TO POWER CONNECTOR MAX50 MΩ AT 10A |
| HEAT RESISTANCE                      | 100±5°C FOR 1Hr                             |
| FORMING STRENGTH OF CONTACT AND BODY | STATIC LOAD OF 10 POUNDS/60sec              |
| STRENGTH OF SCREW MOUNTING           | ROTATIONAL TORQUE OF 8KG/CM. 5sec           |
| IMPACT TEST                          | 0.5KG 1TIMES ACCORDING TO UH950             |
| RATING                               | 250VAC 10A (2.5A)                           |

## ■DIMENSIONS



Copyright © by EDCON-COMPONENTS Marco Schmitz 28.09.2007

[www.edcon-components.com](http://www.edcon-components.com)

[info@edcon-components.com](mailto:info@edcon-components.com)